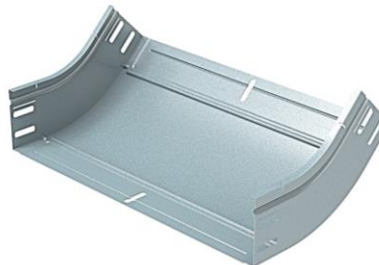


## P31 - INSIDE RISER 45° H75

Reference(s): BN../075Z/100Z/150Z/200Z/300Z/400Z/500Z/600Z  
BN../075C/100C/150C/200C/300C/400C/500C/600C  
BN../075L/100L/150L/200L/300L/400L/500L/600L



### 1. USE

Inside riser 45° in H75 with blind bottom.

### 2. RANGE BLIND

#### ■ 2.1 INSIDE RISER 45° H75 blind PG

Description	Code	Width		Weight		Thickness		Coating	Section	
		(mm)	(inch)	(Kg)	(lb)	(mm)	(inch)		(mm²)	(inch²)
P31-INSIDE RISER 45D 75X 75 PG	BN075Z	77	3,03	0,33	0,73	0,7	0,03	PG	6069	9,41
P31-INSIDE RISER 45D 75X100 PG	BN100Z	100	3,94	0,36	0,80	0,7	0,03	PG	7870	12,20
P31-INSIDE RISER 45D 75X150 PG	BN150Z	150	5,91	0,43	0,95	0,7	0,03	PG	11785	18,27
P31-INSIDE RISER 45D 75X200 PG	BN200Z	200	7,87	0,51	1,11	0,7	0,03	PG	15700	24,34
P31-INSIDE RISER 45D 75X300 PG	BN300Z	300	11,81	0,65	1,43	0,7	0,03	PG	23530	36,47
P31-INSIDE RISER 45D 75X400 PG	BN400Z	400	15,75	0,79	1,74	0,7	0,03	PG	31360	48,61
P31-INSIDE RISER 45D 75X500 PG	BN500Z	500	19,69	0,93	2,05	0,7	0,03	PG	39190	60,74
P31-INSIDE RISER 45D 75X600 PG	BN600Z	600	23,62	1,07	2,36	0,7	0,03	PG	47020	72,88

#### ■ 2.2 INSIDE RISER 45° H75 blind HDG

Description	Code	Width		Weight		Thickness		Coating	Section	
		(mm)	(inch)	(Kg)	(lb)	(mm)	(inch)		(mm²)	(inch²)
P31-INSIDE RISER 45D 75X 75 HDG	BN075C	77	3,03	0,36	0,80	0,7	0,03	HDG	6069	9,41
P31-INSIDE RISER 45D 75X100 HDG	BN100C	100	3,94	0,40	0,88	0,7	0,03	HDG	7870	12,20
P31-INSIDE RISER 45D 75X150 HDG	BN150C	150	5,91	0,48	1,05	0,7	0,03	HDG	11785	18,27
P31-INSIDE RISER 45D 75X200 HDG	BN200C	200	7,87	0,56	1,22	0,7	0,03	HDG	15700	24,34
P31-INSIDE RISER 45D 75X300 HDG	BN300C	300	11,81	0,71	1,57	0,7	0,03	HDG	23530	36,47
P31-INSIDE RISER 45D 75X400 HDG	BN400C	400	15,75	0,87	1,91	0,7	0,03	HDG	31360	48,61
P31-INSIDE RISER 45D 75X500 HDG	BN500C	500	19,69	1,02	2,25	0,7	0,03	HDG	39190	60,74
P31-INSIDE RISER 45D 75X600 HDG	BN600C	600	23,62	1,18	2,60	0,7	0,03	HDG	47020	72,88

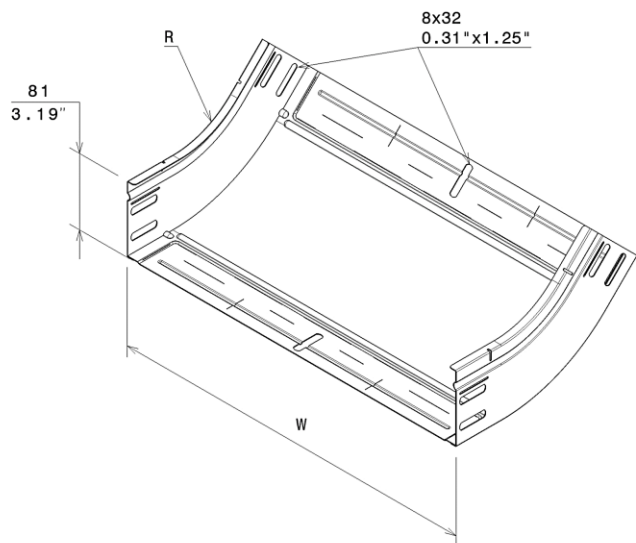
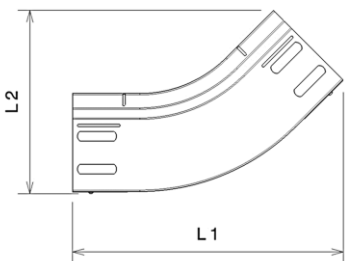
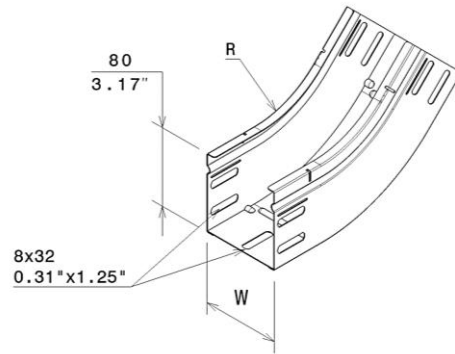
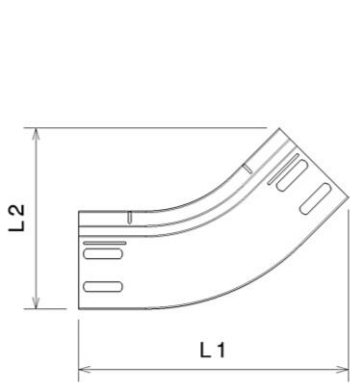
#### ■ 2.2 INSIDE RISER 45° H75 blind SS316L

Description	Code	Width		Weight		Thickness		Coating	Section	
		(mm)	(inch)	(Kg)	(lb)	(mm)	(inch)		(mm²)	(inch²)
P31-INSIDE RISER 45D 75X 75 SS316L	BN075L	77	3,03	0,33	0,73	0,7	0,03	SS316L	6069	9,41
P31-INSIDE RISER 45D 75X100 SS316L	BN100L	100	3,94	0,36	0,80	0,7	0,03	SS316L	7870	12,20
P31-INSIDE RISER 45D 75X150 SS316L	BN150L	150	5,91	0,43	0,95	0,7	0,03	SS316L	11785	18,27
P31-INSIDE RISER 45D 75X200 SS316L	BN200L	200	7,87	0,51	1,11	0,7	0,03	SS316L	15700	24,34
P31-INSIDE RISER 45D 75X300 SS316L	BN300L	300	11,81	0,65	1,43	0,7	0,03	SS316L	23530	36,47
P31-INSIDE RISER 45D 75X400 SS316L	BN400L	400	15,75	0,79	1,74	0,7	0,03	SS316L	31360	48,61
P31-INSIDE RISER 45D 75X500 SS316L	BN500L	500	19,69	0,93	2,05	0,7	0,03	SS316L	39190	60,74
P31-INSIDE RISER 45D 75X600 SS316L	BN600L	600	23,62	1,07	2,36	0,7	0,03	SS316L	47020	72,88

**3. DIMENSIONS (mm/inch)**

**■ 3.1 Fitting dimensions**

Description	Width		Radius		L1		L2	
	(mm)	(inch)	(mm)	(inch)	(mm)	(inch)	(mm)	(inch)
P31-INSIDE RISER 45D 75X 75	79,4	3,13	100	3,94	221	8,70	149	5,87
P31-INSIDE RISER 45D 75X100	102,4	4,03	100	3,94	221	8,70	149	5,87
P31-INSIDE RISER 45D 75X150	152,4	6,00	100	3,94	221	8,70	149	5,87
P31-INSIDE RISER 45D 75X200	202,4	7,97	100	3,94	222	8,74	150	5,91
P31-INSIDE RISER 45D 75X300	302,4	11,91	100	3,94	222	8,74	150	5,91
P31-INSIDE RISER 45D 75X400	402,4	15,84	100	3,94	222	8,74	150	5,91
P31-INSIDE RISER 45D 75X500	502,4	19,78	100	3,94	222	8,74	150	5,91
P31-INSIDE RISER 45D 75X600	602,4	23,72	100	3,94	222	8,74	150	5,91



## 4. INSTALLATION

### 4.1 Screw and tools

Use screws M6x12 tightened at 11Nm

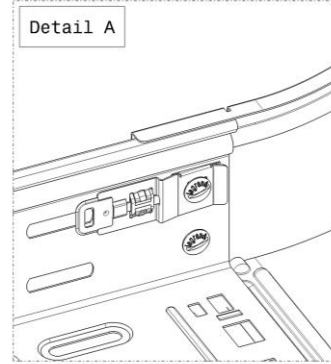
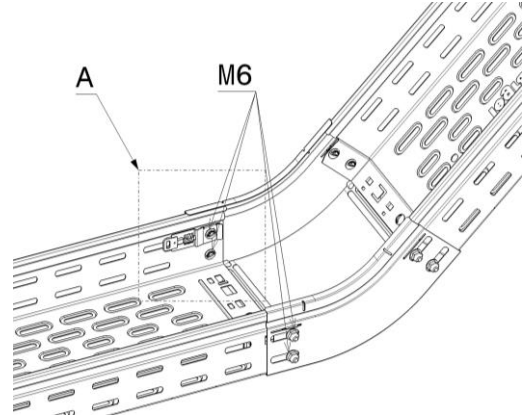
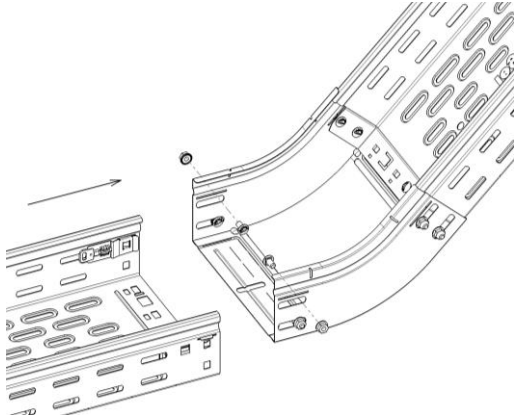
Reference(s): 341895 / 03V1M610Z (PG)

485035 (Zn-Ni)

346895/ 03V1M610L (SS316L)

### 4.2 Fitting to cable tray

Inside riser height 75 are assembled using 10 screws M6x12 on the side and on the bottom.  
 The screws in the middle is optional up to and included width 300mm.



## 5. TECHNICAL DATA

### 5.1 Climatic characteristics

Storage and operating temperature: - 20° C à + 120° C

### 5.2 Material characteristics

Material finish	Material	Standard	Resistance class against corrosion
PG	DX51D + Z200	EN 10346	Classe 3 - CEI 61537
BLUE	DX51D + Z200	EN 10346	Classe 3 - CEI 61537
HDG	DC 01	EN 10130	Classe 6 - CEI 61537
SS304	X5CrNi18-10	EN 10 088-2	Classe 9A - CEI 61537
SS316L	X2CrNiMo17-12-2	EN 10 088-2	Classe 9B - CEI 61537

## 6. CONFORMITY - CERTIFICATION

Comply with CEI 61537 Cable tray systems.

Certification: CE, IMQ