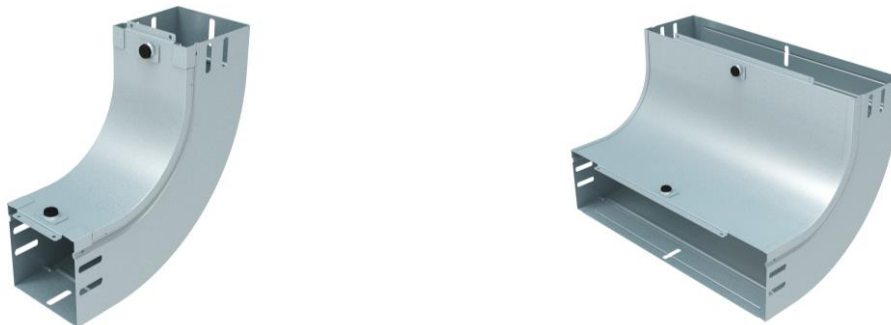


P31 - INSIDE RISER 90° H100 + COVER

Reference(s): 4807../31/34/35/36/37/38/39
4824../33/34/35/36/37/38-482731
4844../33/34/35/36/37/38



1. USE

Inside riser 90° in H100 with blind bottom.

2. RANGE BLIND

■ 2.1 Inside riser 90° H100 blind PG

Description	Code	Width min.		Weight		Thickness		Coating	Section	
		(mm)	(inch)	(Kg)	(lb)	(mm)	(inch)		(mm²)	(inch²)
P31-INSIDE RISER 90D 100X100 PG	480731	100	3,94	0,90	1,99	0,7	0,03	PG	10193	15,80
P31-INSIDE RISER 90D 100X150 PG	480434	150	5,91	1,10	2,42	0,7	0,03	PG	15258	23,65
P31-INSIDE RISER 90D 100X200 PG	480435	200	7,87	1,30	2,86	0,7	0,03	PG	20323	31,50
P31-INSIDE RISER 90D 100X300 PG	480436	300	11,81	1,75	3,86	0,7	0,03	PG	30453	47,20
P31-INSIDE RISER 90D 100X400 PG	480437	400	15,75	2,14	4,71	0,7	0,03	PG	40583	62,90
P31-INSIDE RISER 90D 100X500 PG	480438	500	19,69	2,52	5,56	0,7	0,03	PG	50713	78,61
P31-INSIDE RISER 90D 100X600 PG	480739	600	23,62	2,91	6,41	0,7	0,03	PG	60843	94,31

■ 2.2 Inside riser 90° H100 blind HDG

Description	Code	Width min.		Weight		Thickness		Coating	Section	
		(mm)	(inch)	(Kg)	(lb)	(mm)	(inch)		(mm²)	(inch²)
P31-INSIDE RISER 90D 100X100 HDG	482433	100	3,94	0,99	2,19	0,7	0,03	HDG	10193	15,80
P31-INSIDE RISER 90D 100X150 HDG	482434	150	5,91	1,21	2,67	0,7	0,03	HDG	15258	23,65
P31-INSIDE RISER 90D 100X200 HDG	482435	200	7,87	1,43	3,15	0,7	0,03	HDG	20323	31,50
P31-INSIDE RISER 90D 100X300 HDG	482436	300	11,81	1,93	4,25	0,7	0,03	HDG	30453	47,20
P31-INSIDE RISER 90D 100X400 HDG	482437	400	15,75	2,35	5,18	0,7	0,03	HDG	40583	62,90
P31-INSIDE RISER 90D 100X500 HDG	482438	500	19,69	2,77	6,12	0,7	0,03	HDG	50713	78,61
P31-INSIDE RISER 90D 100X600 HDG	482731	600	23,62	3,20	7,05	0,7	0,03	HDG	60843	94,31

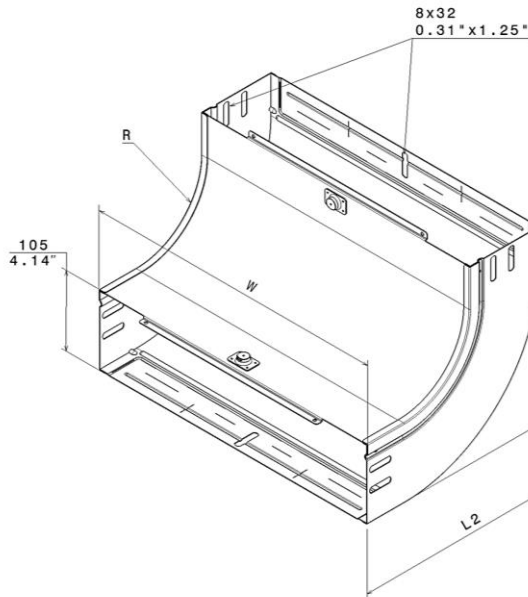
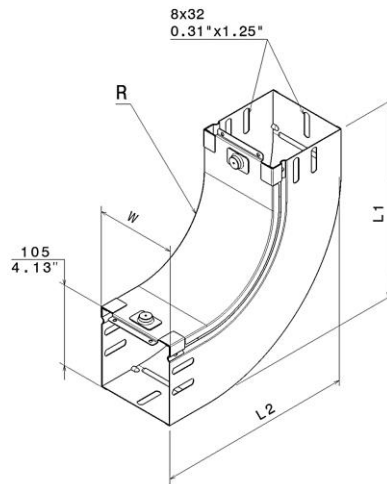
■ 2.3 Inside riser 90° H100 blind BLUE

Description	Code	Width min.		Weight		Thickness		Coating	Section	
		(mm)	(inch)	(Kg)	(lb)	(mm)	(inch)		(mm²)	(inch²)
P31-INSIDE RISER 90D 100X100 BLUE	484433	100	3,94	0,90	1,99	0,7	0,03	BLUE	10193	15,80
P31-INSIDE RISER 90D 100X150 BLUE	484434	150	5,91	1,10	2,42	0,7	0,03	BLUE	15258	23,65
P31-INSIDE RISER 90D 100X200 BLUE	484435	200	7,87	1,30	2,86	0,7	0,03	BLUE	20323	31,50
P31-INSIDE RISER 90D 100X300 BLUE	484436	300	11,81	1,75	3,86	0,7	0,03	BLUE	30453	47,20
P31-INSIDE RISER 90D 100X400 BLUE	484437	400	15,75	2,14	4,71	0,7	0,03	BLUE	40583	62,90
P31-INSIDE RISER 90D 100X500 BLUE	484438	500	19,69	2,52	5,56	0,7	0,03	BLUE	50713	78,61

3. DIMENSIONS (mm/inch)

■ 3.1 Fitting dimensions

Description	Width		Radius		L1		L2	
	(mm)	(inch)	(mm)	(inch)	(mm)	(inch)	(mm)	(inch)
P31-INSIDE RISER 90D 100X100	104	4,09	100	3,94	208	8,20	208	8,20
P31-INSIDE RISER 90D 100X150	154	6,06	100	3,94	208	8,20	208	8,20
P31-INSIDE RISER 90D 100X200	204	8,03	100	3,94	210	8,27	210	8,27
P31-INSIDE RISER 90D 100X300	304	11,97	100	3,94	210	8,27	210	8,27
P31-INSIDE RISER 90D 100X400	404	15,91	100	3,94	210	8,27	210	8,27
P31-INSIDE RISER 90D 100X500	504	19,84	100	3,94	210	8,27	210	8,27
P31-INSIDE RISER 90D 100X600	604	23,78	100	3,94	210	8,27	210	8,27



4. INSTALLATION

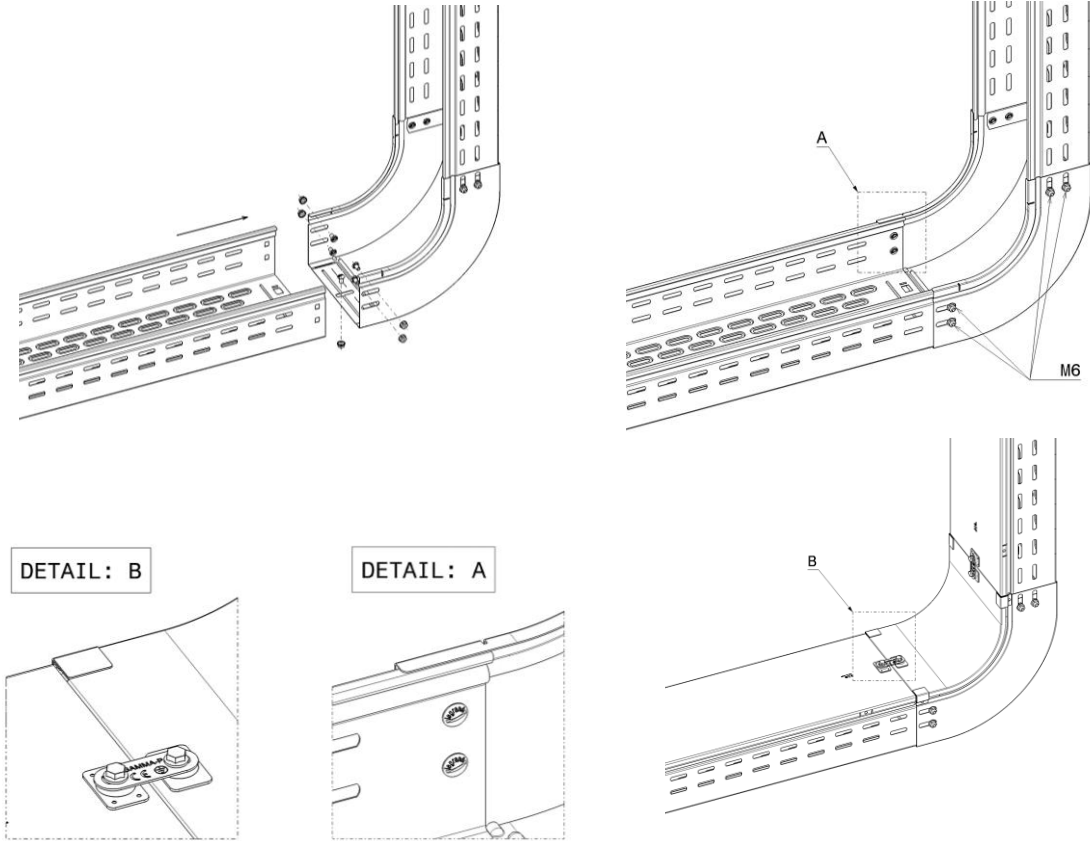
■ **4.1 Screw and tools**

Use screws M6x12 tightened at 11Nm

- Reference(s): 341895 / 03V1M610Z (PG)
 485035 (Zn-Ni)
 346895/ 03V1M610L (SS316L)
 341708 / 31X99X999 (PG)
 346474 / 31X99X99X (SS316L)

■ **4.2 Fitting to cable tray**

Inside riser height 100 are assembled using 10 screws M6x12 on the side and on the bottom.
 The screws in the middle is optional up to and included width 300mm.



5. TECHNICAL DATA

■ **5.1 Climatic characteristics**

Storage and operating temperature: - 20° C à + 120° C

■ **5.2 Material characteristics**

Material finish	Material	Standard	Resistance class against corrosion
PG	DX51D + Z200	EN 10346	Classe 3 - CEI 61537
BLUE	DX51D + Z200	EN 10346	Classe 3 - CEI 61537
HDG	DC 01	EN 10130	Classe 6 - CEI 61537
SS304	X5CrNi18-10	EN 10 088-2	Classe 9A - CEI 61537
SS316L	X2CrNiMo17-12-2	EN 10 088-2	Classe 9B - CEI 61537

6. CONFORMITY - CERTIFICATION

Comply with CEI 61537 Cable tray systems.
 Certification: CE, IMQ