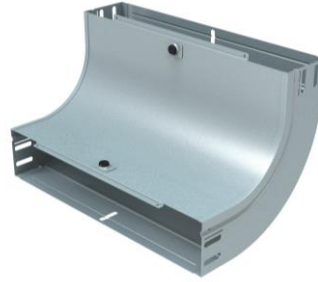


P31 - INSIDE RISER 90° H75 + COVER

Reference(s): AM../075Z/100Z/150Z/200Z/300Z/400Z/500Z/600Z
AM../075C/100C/150C/200C/300C/400C/500C/600C
AM../075L/100L/150L/200L/300L/400L/500L/600L
AM../075G/100G/150G/200G/300G/400G/500G/600G



1. USE

Inside riser 90° in H75 with blind bottom.

2. RANGE BLIND

■ 2.1 INSIDE RISER 90° H75 blind PG

Description	Code	Width		Weight		Thickness		Coating	Section	
		(mm)	(inch)	(Kg)	(lb)	(mm)	(inch)		(mm ²)	(inch ²)
P31-INSIDE RISER 90D 75X 75 PG	AM075Z	77	3,03	0,69	1,52	0,7	0,03	PG	6069	238,94
P31-INSIDE RISER 90D 75X100 PG	AM100Z	100	3,94	0,77	1,70	0,7	0,03	PG	7870	309,84
P31-INSIDE RISER 90D 75X150 PG	AM150Z	150	5,91	0,96	2,12	0,7	0,03	PG	11785	463,98
P31-INSIDE RISER 90D 75X200 PG	AM200Z	200	7,87	1,15	2,54	0,7	0,03	PG	15700	618,11
P31-INSIDE RISER 90D 75X300 PG	AM300Z	300	11,81	1,53	3,37	0,7	0,03	PG	23530	926,38
P31-INSIDE RISER 90D 75X400 PG	AM400Z	400	15,75	1,89	4,17	0,7	0,03	PG	31360	1234,65
P31-INSIDE RISER 90D 75X500 PG	AM500Z	500	19,69	2,26	4,98	0,7	0,03	PG	39190	1542,91
P31-INSIDE RISER 90D 75X600 PG	AM600Z	600	23,62	2,62	5,78	0,7	0,03	PG	47020	1851,18

■ 2.2 INSIDE RISER 90° H75 blind HDG

Description	Code	Width		Weight		Thickness		Coating	Section	
		(mm)	(inch)	(Kg)	(lb)	(mm)	(inch)		(mm ²)	(inch ²)
P31-INSIDE RISER 90D 75X 75 HDG	AM075C	77	3,03	0,76	1,67	0,7	0,03	HDG	6069	238,94
P31-INSIDE RISER 90D 75X100 HDG	AM100C	100	3,94	0,85	1,87	0,7	0,03	HDG	7870	309,84
P31-INSIDE RISER 90D 75X150 HDG	AM150C	150	5,91	1,06	2,33	0,7	0,03	HDG	11785	463,98
P31-INSIDE RISER 90D 75X200 HDG	AM200C	200	7,87	1,27	2,79	0,7	0,03	HDG	15700	618,11
P31-INSIDE RISER 90D 75X300 HDG	AM300C	300	11,81	1,68	3,71	0,7	0,03	HDG	23530	926,38
P31-INSIDE RISER 90D 75X400 HDG	AM400C	400	15,75	2,08	4,58	0,7	0,03	HDG	31360	1234,65
P31-INSIDE RISER 90D 75X500 HDG	AM500C	500	19,69	2,49	5,48	0,7	0,03	HDG	39190	1542,91
P31-INSIDE RISER 90D 75X600 HDG	AM600C	600	23,62	2,88	6,35	0,7	0,03	HDG	47020	1851,18

■ 2.3 INSIDE RISER 90° H75 blind SS316L

Description	Code	Width		Weight		Thickness		Coating	Section	
		(mm)	(inch)	(Kg)	(lb)	(mm)	(inch)		(mm ²)	(inch ²)
P31-INSIDE RISER 90D 75X 75 SS316L	AM075L	77	3,03	0,69	1,52	0,7	0,03	SS316L	6069	238,94
P31-INSIDE RISER 90D 75X100 SS316L	AM100L	100	3,94	0,77	1,15	0,7	0,03	SS316L	7870	309,84
P31-INSIDE RISER 90D 75X150 SS316L	AM150L	150	5,91	0,96	1,43	0,7	0,03	SS316L	11785	463,98
P31-INSIDE RISER 90D 75X200 SS316L	AM200L	200	7,87	1,15	1,72	0,7	0,03	SS316L	15700	618,11
P31-INSIDE RISER 90D 75X300 SS316L	AM300L	300	11,81	1,53	2,29	0,7	0,03	SS316L	23530	926,38
P31-INSIDE RISER 90D 75X400 SS316L	AM400L	400	15,75	1,89	2,83	0,7	0,03	SS316L	31360	1234,65
P31-INSIDE RISER 90D 75X500 SS316L	AM500L	500	19,69	2,26	3,37	0,7	0,03	SS316L	39190	1542,91
P31-INSIDE RISER 90D 75X600 SS316L	AM600L	600	23,62	2,62	3,91	0,7	0,03	SS316L	47020	1851,18

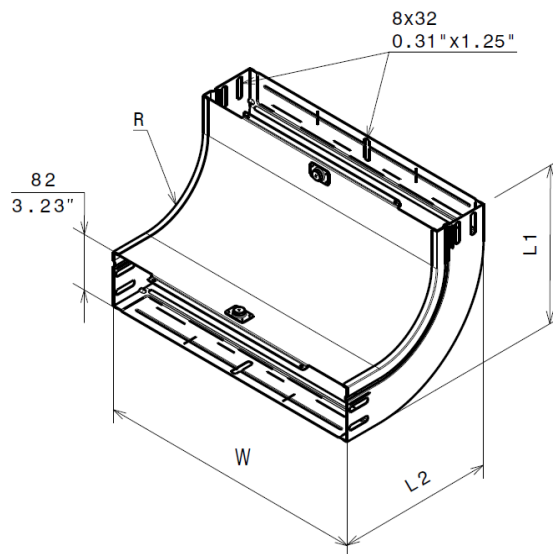
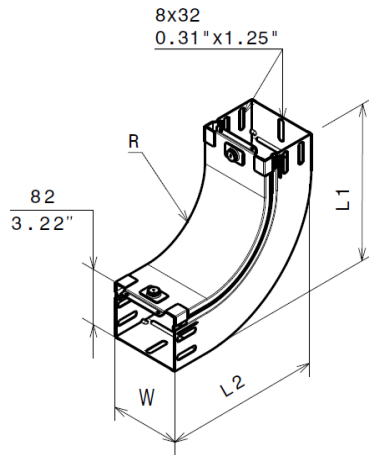
■ 2.4 INSIDE RISER 90° H75 blind BLUE

Description	Code	Width		Weight		Thickness		Coating	Section	
		(mm)	(inch)	(Kg)	(lb)	(mm)	(inch)		(mm ²)	(inch ²)
P31-INSIDE RISER 90D 75X 75 BLUE	AM075G	77	3,03	0,69	1,52	0,7	0,03	BLUE	6069	238,94
P31-INSIDE RISER 90D 75X100 BLUE	AM100G	100	3,94	0,77	1,70	0,7	0,03	BLUE	7870	309,84
P31-INSIDE RISER 90D 75X150 BLUE	AM150G	150	5,91	0,96	2,12	0,7	0,03	BLUE	11785	463,98
P31-INSIDE RISER 90D 75X200 BLUE	AM200G	200	7,87	1,15	2,54	0,7	0,03	BLUE	15700	618,11
P31-INSIDE RISER 90D 75X300 BLUE	AM300G	300	11,81	1,53	3,37	0,7	0,03	BLUE	23530	926,38
P31-INSIDE RISER 90D 75X400 BLUE	AM400G	400	15,75	1,89	4,17	0,7	0,03	BLUE	31360	1234,65
P31-INSIDE RISER 90D 75X500 BLUE	AM500G	500	19,69	2,26	4,98	0,7	0,03	BLUE	39190	1542,91
P31-INSIDE RISER 90D 75X600 BLUE	AM600G	600	23,62	2,62	5,78	0,7	0,03	BLUE	47020	1851,18

3. DIMENSIONS (mm/inch)

■ 3.1 Fitting dimensions

Description	Width		Radius		L1		L2	
	(mm)	(inch)	(mm)	(inch)	(mm)	(inch)	(mm)	(inch)
P31-INSIDE RISER 90D 75X 75	81	3,19	100	3,94	258	10,16	258	10,16
P31-INSIDE RISER 90D 75X100	104	4,09	100	3,94	258	10,16	258	10,16
P31-INSIDE RISER 90D 75X150	154	6,06	100	3,94	258	10,16	258	10,16
P31-INSIDE RISER 90D 75X200	204	8,03	100	3,94	259	10,20	259	10,20
P31-INSIDE RISER 90D 75X300	304	11,97	100	3,94	259	10,20	259	10,20
P31-INSIDE RISER 90D 75X400	404	15,91	100	3,94	259	10,20	259	10,20
P31-INSIDE RISER 90D 75X500	504	19,84	100	3,94	259	10,20	259	10,20
P31-INSIDE RISER 90D 75X600	604	23,78	100	3,94	259	10,20	259	10,20



4. INSTALLATION

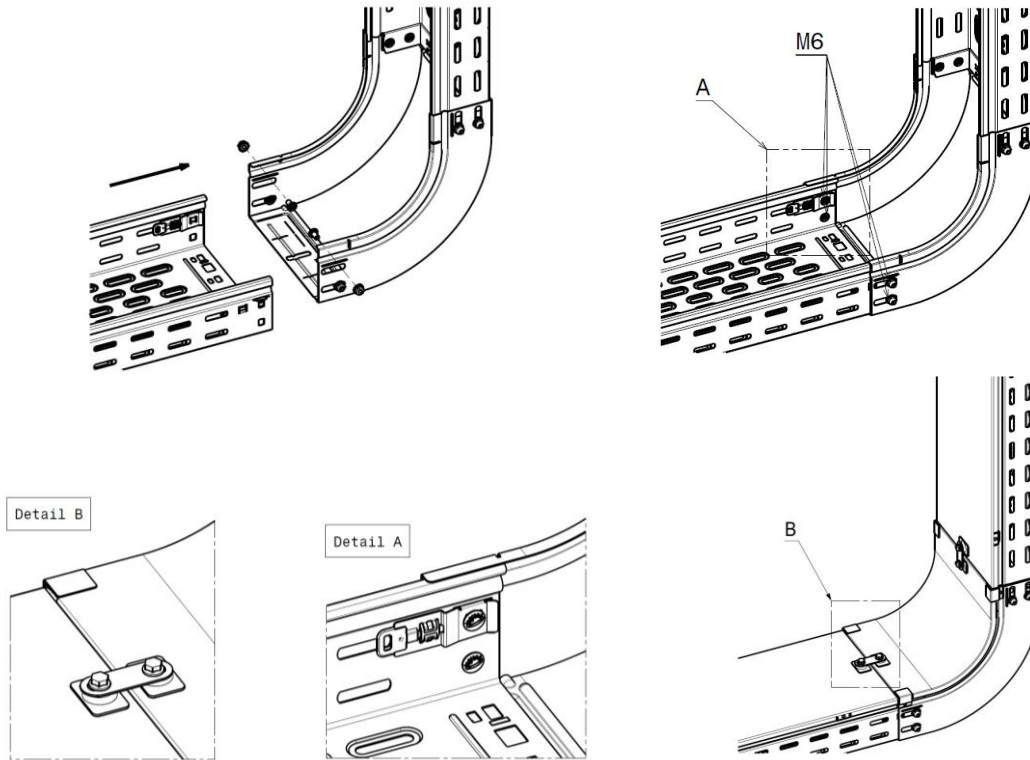
■ **4.1 Screw and tools**

Use screws M6x12 tightened at 11Nm

- Reference(s): 341895 / 03V1M610Z (PG)
 485035 (Zn-Ni)
 346895/ 03V1M610L (SS316L)
 341708 / 31X99X999 (PG)
 346474 / 31X99X99X (SS316L)

■ **4.2 Fitting to cable tray**

Equal Tee height 75 are assembled using 10 screws M6x12 on the side and on the bottom.
 The screws in the middle is optional up to and included width 300mm.



5. TECHNICAL DATA

■ **5.1 Climatic characteristics**

Storage and operating temperature: - 20° C à + 120° C

■ **5.2 Material characteristics**

Material finish	Material	Standard	Resistance class against corrosion
PG	DX51D + Z200	EN 10346	Classe 3 - CEI 61537
BLUE	DX51D + Z200	EN 10346	Classe 3 - CEI 61537
HDG	DC 01	EN 10130	Classe 6 - CEI 61537
SS304	X5CrNi18-10	EN 10 088-2	Classe 9A - CEI 61537
SS316L	X2CrNiMo17-12-2	EN 10 088-2	Classe 9B - CEI 61537

6. CONFORMITY - CERTIFICATION

Comply with CEI 61537 Cable tray systems
 Certification: CE, IMQ