

## P31 - INSIDE RISER 90° H50 + COVER

Reference(s): 4804../18/19/20/21/22/23/24  
4824../18/19/20/21/22/23/24  
4844../18/19/20/21/22/23/24



### 1. USE

Inside riser 90° in H50 with blind bottom.

### 2. RANGE BLIND

#### ■ 2.1 Inside riser 90° H50 blind PG

Description	Code	Width min.		Weight		Thickness		Coating	Section	
		(mm)	(inch)	(Kg)	(lb)	(mm)	(inch)		(mm²)	(inch²)
P31-INSIDE RISER 90D 50X100 PG	480418	100	3,94	0,64	1,41	0,7	0,03	PG	5181	8,03
P31-INSIDE RISER 90D 50X150 PG	480419	150	5,91	0,82	1,80	0,7	0,03	PG	7708	11,95
P31-INSIDE RISER 90D 50X200 PG	480420	200	7,87	1,00	2,19	0,7	0,03	PG	10273	15,92
P31-INSIDE RISER 90D 50X300 PG	480421	300	11,81	1,35	2,98	0,7	0,03	PG	15403	23,87
P31-INSIDE RISER 90D 50X400 PG	480422	400	15,75	1,69	3,73	0,7	0,03	PG	20533	31,83
P31-INSIDE RISER 90D 50X500 PG	480423	500	19,69	2,04	4,49	0,7	0,03	PG	25663	39,78
P31-INSIDE RISER 90D 50X600 PG	480424	600	23,62	2,38	5,24	0,7	0,03	PG	30793	47,73

#### ■ 2.2 Inside riser 90° H50 blind HDG

Description	Code	Width min.		Weight		Thickness		Coating	Section	
		(mm)	(inch)	(Kg)	(lb)	(mm)	(inch)		(mm²)	(inch²)
P31-INSIDE RISER 90D 50X100 HDG	482418	100	3,94	0,69	1,53	0,7	0,03	HDG	5181	8,03
P31-INSIDE RISER 90D 50X150 HDG	482419	150	5,91	0,89	1,95	0,7	0,03	HDG	7708	11,95
P31-INSIDE RISER 90D 50X200 HDG	482420	200	7,87	1,08	2,39	0,7	0,03	HDG	10273	15,92
P31-INSIDE RISER 90D 50X300 HDG	482421	300	11,81	1,47	3,25	0,7	0,03	HDG	15403	23,87
P31-INSIDE RISER 90D 50X400 HDG	482422	400	15,75	1,85	4,08	0,7	0,03	HDG	20533	31,83
P31-INSIDE RISER 90D 50X500 HDG	482423	500	19,69	2,23	4,91	0,7	0,03	HDG	25663	39,78
P31-INSIDE RISER 90D 50X600 HDG	482424	600	23,62	2,60	5,74	0,7	0,03	HDG	30793	47,73

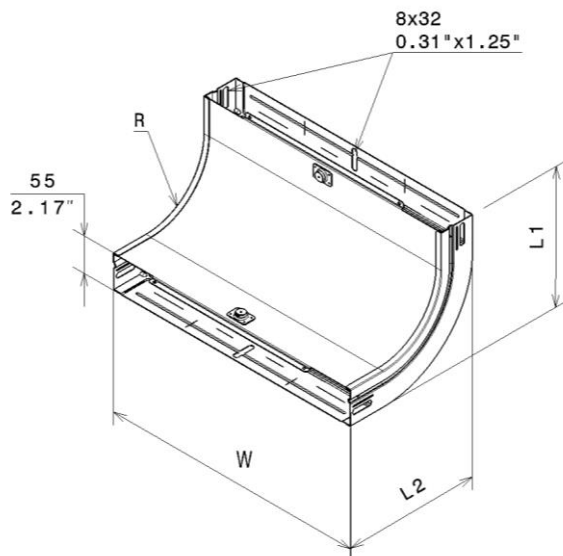
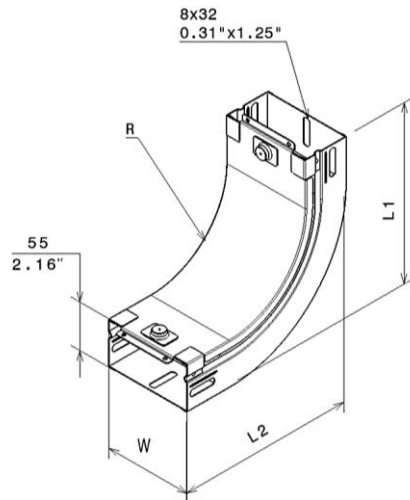
#### ■ 2.3 Inside riser 90° H50 blind BLUE

Description	Code	Width min.		Weight		Thickness		Coating	Section	
		(mm)	(inch)	(Kg)	(lb)	(mm)	(inch)		(mm²)	(inch²)
P31-INSIDE RISER 90D 50X100 BLUE	484418	100	3,94	0,64	1,41	0,7	0,03	BLUE	5181	8,03
P31-INSIDE RISER 90D 50X150 BLUE	484419	150	5,91	0,82	1,80	0,7	0,03	BLUE	7708	11,95
P31-INSIDE RISER 90D 50X200 BLUE	484420	200	7,87	1,00	2,19	0,7	0,03	BLUE	10273	15,92
P31-INSIDE RISER 90D 50X300 BLUE	484421	300	11,81	1,35	2,98	0,7	0,03	BLUE	15403	23,87
P31-INSIDE RISER 90D 50X400 BLUE	484422	400	15,75	1,69	3,73	0,7	0,03	BLUE	20533	31,83
P31-INSIDE RISER 90D 50X500 BLUE	484423	500	19,69	2,04	4,49	0,7	0,03	BLUE	25663	39,78
P31-INSIDE RISER 90D 50X600 BLUE	484424	600	23,62	2,38	5,24	0,7	0,03	BLUE	30793	47,73

**3. DIMENSIONS (mm/inch)**

**■ 3.1 Fitting dimensions**

Description	Width		Radius		L1		L2	
	(mm)	(inch)	(mm)	(inch)	(mm)	(inch)	(mm)	(inch)
P31-INSIDE RISER 90D 50X100	104	4,09	100	3,94	208	8,20	208	8,20
P31-INSIDE RISER 90D 50X150	154	6,06	100	3,94	208	8,20	208	8,20
P31-INSIDE RISER 90D 50X200	204	8,03	100	3,94	210	8,27	210	8,27
P31-INSIDE RISER 90D 50X300	304	11,97	100	3,94	210	8,27	210	8,27
P31-INSIDE RISER 90D 50X400	404	15,91	100	3,94	210	8,27	210	8,27
P31-INSIDE RISER 90D 50X500	504	19,84	100	3,94	210	8,27	210	8,27
P31-INSIDE RISER 90D 50X600	604	23,78	100	3,94	210	8,27	210	8,27



**4. INSTALLATION**

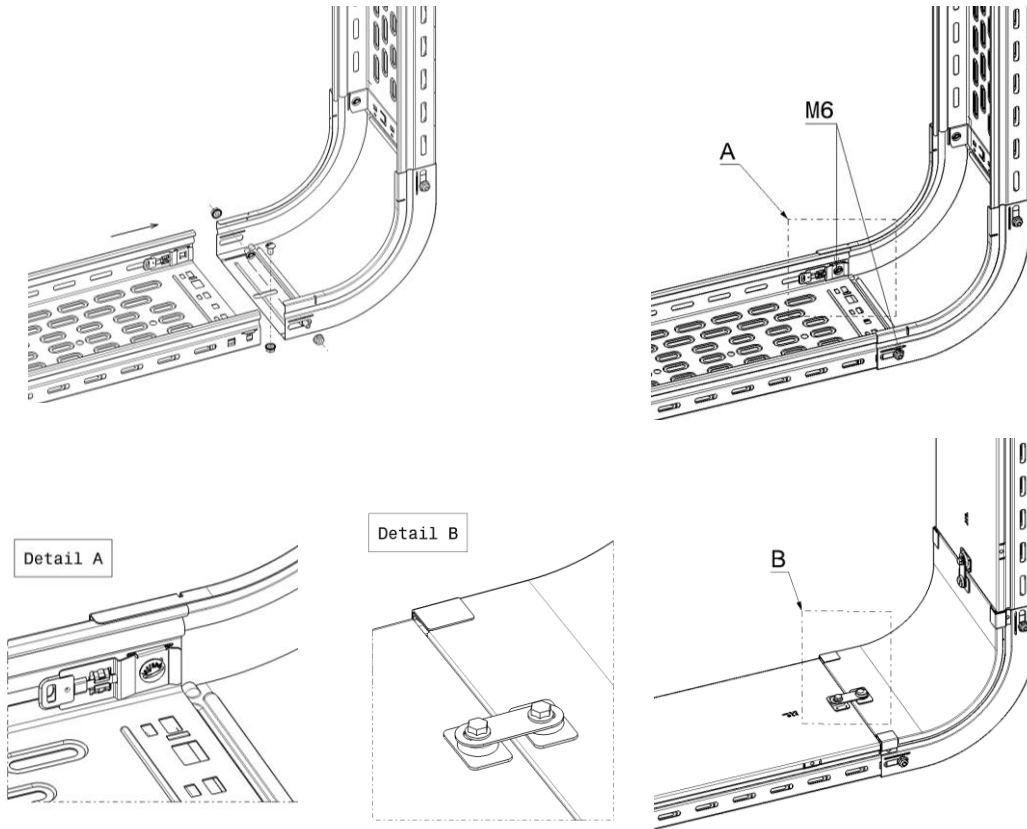
■ **4.1 Screw and tools**

Use screws M6x12 tightened at 11Nm

- Reference(s): 341895 / 03V1M610Z (PG)  
 485035 (Zn-Ni)  
 346895/ 03V1M610L (SS316L)  
 341708 / 31X99X999 (PG)  
 346474 / 31X99X99X (SS316L)

■ **4.2 Fitting to cable tray**

Inside riser height 50 are assembled using 6 screws M6x12 on the side and on the bottom.  
 The screws in the middle is optional up to and included width 300mm.



**5. TECHNICAL DATA**

■ **5.1 Climatic characteristics**

Storage and operating temperature: - 20° C à + 120° C

■ **5.2 Material characteristics**

Material finish	Material	Standard	Resistance class against corrosion
PG	DX51D + Z200	EN 10346	Classe 3 - CEI 61537
BLUE	DX51D + Z200	EN 10346	Classe 3 - CEI 61537
HDG	DC 01	EN 10130	Classe 6 - CEI 61537
SS304	X5CrNi18-10	EN 10 088-2	Classe 9A - CEI 61537
SS316L	X2CrNiMo17-12-2	EN 10 088-2	Classe 9B - CEI 61537

**6. CONFORMITY - CERTIFICATION**

Comply with CEI 61537 Cable tray systems.  
 Certification: CE, IMQ