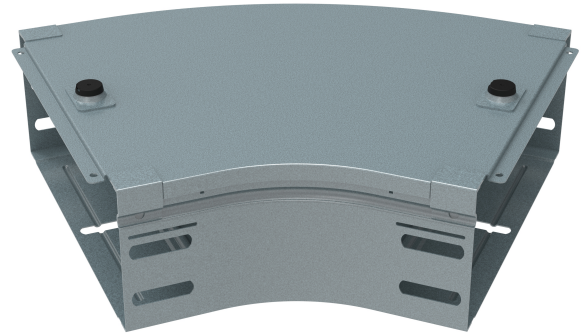
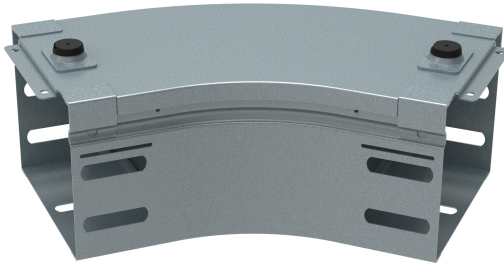


## P31 - FLAT BEND 45° H75 + COVER

Reference(s): AJ../075Z/100Z/150Z/200Z/300Z/400Z/500Z/600Z  
AJ../075C/100C/150C/200C/300C/400C/500C/600C  
AJ../075G/100G/150G/200G/300G/400G/500G/600G  
AJ../075L/100L/150L/200L/300L/400L/500L/600L



### 1. USE

Flat bend 45° in H75 with blind bottom and cover

### 2. RANGE BLIND

#### ■ 2.1 Flat bend 45° H75 + cover blind PG

Description	Code	Width		Weight		Thickness		Coating	Section	
		(mm)	(inch)	(Kg)	(lb)	(mm)	(inch)		(mm <sup>2</sup> )	(inch <sup>2</sup> )
P31- FLAT BEND 45D 75X75 PG	AJ075Z	77	3,03	0,45	0,99	0,7	0,028	PG	6107	9,47
P31- FLAT BEND 45D 75X100 PG	AJ100Z	100	3,94	0,52	1,15	0,7	0,028	PG	7908	12,26
P31- FLAT BEND 45D 75X150 PG	AJ150Z	150	5,91	0,70	1,54	0,7	0,028	PG	11823	18,33
P31- FLAT BEND 45D 75X200 PG	AJ200Z	200	7,87	0,91	2,01	0,7	0,028	PG	15738	24,39
P31- FLAT BEND 45D 75X300 PG	AJ300Z	300	11,81	1,39	3,06	0,7	0,028	PG	23568	36,53
P31- FLAT BEND 45D 75X400 PG	AJ400Z	400	15,75	1,88	4,15	0,7	0,028	PG	31398	48,67
P31- FLAT BEND 45D 75X500 PG	AJ500Z	500	19,69	2,51	5,53	0,7	0,028	PG	39228	60,80
P31- FLAT BEND 45D 75X600 PG	AJ600Z	600	23,62	3,23	7,12	0,7	0,028	PG	47058	72,94

#### ■ 2.2 Flat bend 45° H75 + cover blind HDG

Description	Code	Width		Weight		Thickness		Coating	Section	
		(mm)	(inch)	(Kg)	(lb)	(mm)	(inch)		(mm <sup>2</sup> )	(inch <sup>2</sup> )
P31- FLAT BEND 45D 75X75 HDG	AJ075C	77	3,03	0,46	1,01	0,7	0,028	HDG	6107	9,47
P31- FLAT BEND 45D 75X100 HDG	AJ100C	100	3,94	0,54	1,19	0,7	0,028	HDG	7908	12,26
P31- FLAT BEND 45D 75X150 HDG	AJ150C	150	5,91	0,73	1,61	0,7	0,028	HDG	11823	18,33
P31- FLAT BEND 45D 75X200 HDG	AJ200C	200	7,87	0,95	2,09	0,7	0,028	HDG	15738	24,39
P31- FLAT BEND 45D 75X300 HDG	AJ300C	300	11,81	1,45	3,20	0,7	0,028	HDG	23568	36,53
P31- FLAT BEND 45D 75X400 HDG	AJ400C	400	15,75	1,96	4,32	0,7	0,028	HDG	31398	48,67
P31- FLAT BEND 45D 75X500 HDG	AJ500C	500	19,69	2,62	5,78	0,7	0,028	HDG	39228	60,80
P31- FLAT BEND 45D 75X600 HDG	AJ600C	600	23,62	3,37	7,43	0,7	0,028	HDG	47058	72,94

#### ■ 2.3 Flat bend 45° H75 +cover blind BLUE

Description	Code	Width		Weight		Thickness		Coating	Section	
		(mm)	(inch)	(Kg)	(lb)	(mm)	(inch)		(mm <sup>2</sup> )	(inch <sup>2</sup> )
P31- FLAT BEND 45D 75X75 BLUE	AJ075G	77	3,03	0,45	0,99	0,7	0,028	BLUE	6107	9,47
P31- FLAT BEND 45D 75X100 BLUE	AJ100G	100	3,94	0,52	1,15	0,7	0,028	BLUE	7908	12,26
P31- FLAT BEND 45D 75X150 BLUE	AJ150G	150	5,91	0,70	1,54	0,7	0,028	BLUE	11823	18,33
P31- FLAT BEND 45D 75X200 BLUE	AJ200G	200	7,87	0,91	2,01	0,7	0,028	BLUE	15738	24,39
P31- FLAT BEND 45D 75X300 BLUE	AJ300G	300	11,81	1,39	3,06	0,7	0,028	BLUE	23568	36,53
P31- FLAT BEND 45D 75X400 BLUE	AJ400G	400	15,75	1,88	4,15	0,7	0,028	BLUE	31398	48,67
P31- FLAT BEND 45D 75X500 BLUE	AJ500G	500	19,69	2,51	5,53	0,7	0,028	BLUE	39228	60,80
P31- FLAT BEND 45D 75X600 BLUE	AJ600G	600	23,62	3,23	7,12	0,7	0,028	BLUE	47058	72,94

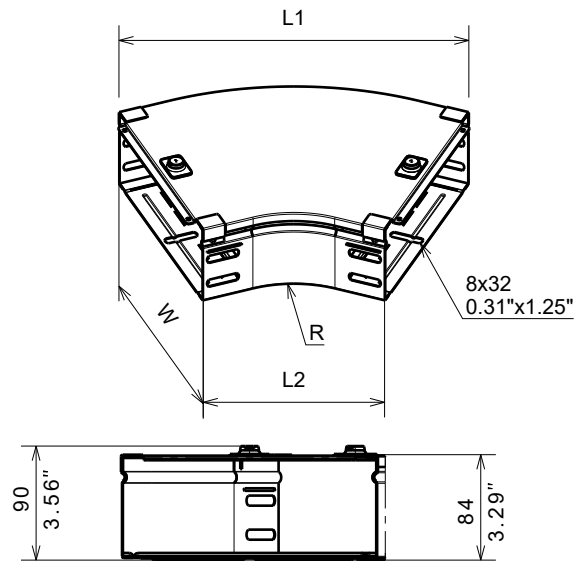
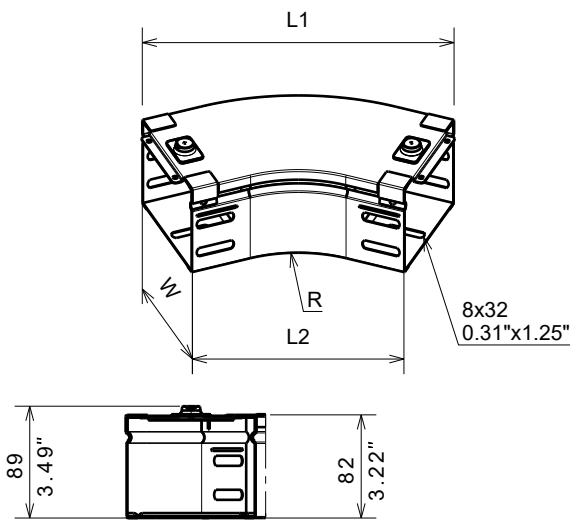
#### ■ 2.4 Flat bend 45° H75 +cover blind SS316L

Description	Code	Width		Weight		Thickness		Coating	Section	
		(mm)	(inch)	(Kg)	(lb)	(mm)	(inch)		(mm <sup>2</sup> )	(inch <sup>2</sup> )
P31- FLAT BEND 45D 75X75 SS 316L	AJ075L	77	3,03	0,45	0,99	0,7	0,028	SS 316L	6107	9,47
P31- FLAT BEND 45D 75X100 SS 316L	AJ100L	100	3,94	0,52	1,15	0,7	0,028	SS 316L	7908	12,26
P31- FLAT BEND 45D 75X150 SS 316L	AJ150L	150	5,91	0,70	1,54	0,7	0,028	SS 316L	11823	18,33
P31- FLAT BEND 45D 75X200 SS 316L	AJ200L	200	7,87	0,91	2,01	0,7	0,028	SS 316L	15738	24,39
P31- FLAT BEND 45D 75X300 SS 316L	AJ300L	300	11,81	1,39	3,06	0,7	0,028	SS 316L	23568	36,53
P31- FLAT BEND 45D 75X400 SS 316L	AJ400L	400	15,75	1,88	4,15	0,7	0,028	SS 316L	31398	48,67
P31- FLAT BEND 45D 75X500 SS 316L	AJ500L	500	19,69	2,51	5,53	0,7	0,028	SS 316L	39228	60,80
P31- FLAT BEND 45D 75X600 SS 316L	AJ600L	600	23,62	3,23	7,12	0,7	0,028	SS 316L	47058	72,94

**3. DIMENSIONS (mm/inch)**

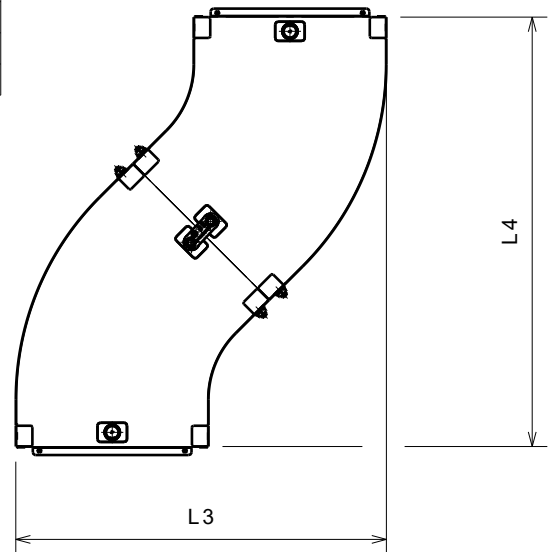
**■ 3.1 Fitting dimension**

Description	Width		Radius		L1		L2	
	(mm)	(inch)	(mm)	(inch)	(mm)	(inch)	(mm)	(inch)
P31-FLAT BEND 45D 75X75	81	3,19	100	3,94	230	9,06	168	6,61
P31-FLAT BEND 45D 75X100	104	4,09	100	3,94	247	9,72	168	6,61
P31-FLAT BEND 45D 75X150	154	6,06	100	3,94	286	11,26	168	6,61
P31-FLAT BEND 45D 75X200	204	8,03	100	3,94	324	12,76	168	6,61
P31-FLAT BEND 45D 75X300	304	11,97	100	3,94	400	15,75	168	6,61
P31-FLAT BEND 45D 75X400	404	15,91	100	3,94	477	18,78	168	6,61
P31-FLAT BEND 45D 75X500	504	19,84	100	3,94	553	21,77	168	6,61
P31-FLAT BEND 45D 75X600	604	23,78	100	3,94	626	24,65	168	6,61



**■ 3.2 Fitting to fitting dimension**

Description	L3		L4	
	(mm)	(inch)	(mm)	(inch)
P31-FLAT BEND 45D 75X75	233	9,17	367	14,45
P31-FLAT BEND 45D 75X100	236	9,29	384	15,12
P31-FLAT BEND 45D 75X150	324	12,76	419	16,50
P31-FLAT BEND 45D 75X200	392	15,43	454	17,87
P31-FLAT BEND 45D 75X300	521	20,51	525	20,67
P31-FLAT BEND 45D 75X400	651	25,63	596	23,46
P31-FLAT BEND 45D 75X500	780	30,71	666	26,22
P31-FLAT BEND 45D 75X600	910	35,83	737	29,02



**4. INSTALLATION**

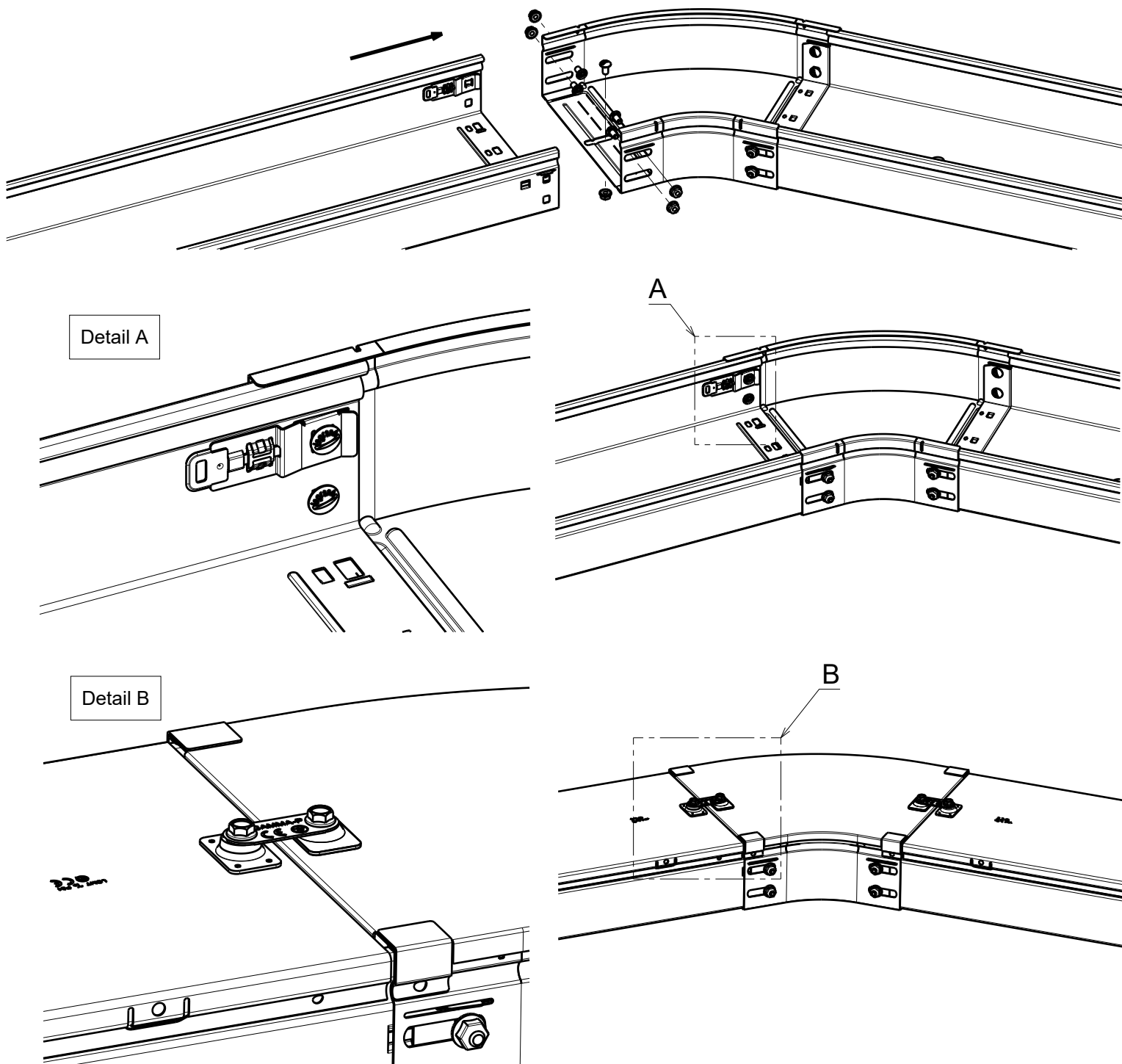
■ **4.1 Screw**

Use screws M6x12 tightened at 11Nm

Reference(s): 341895/ 03V1M610Z (PG)  
 485035 (Zn-Ni)  
 346895/ 03V1M610L (SS316L)  
 341708 / 31X99X999 (PG)  
 346474 / 31X99X99X (SS316L)

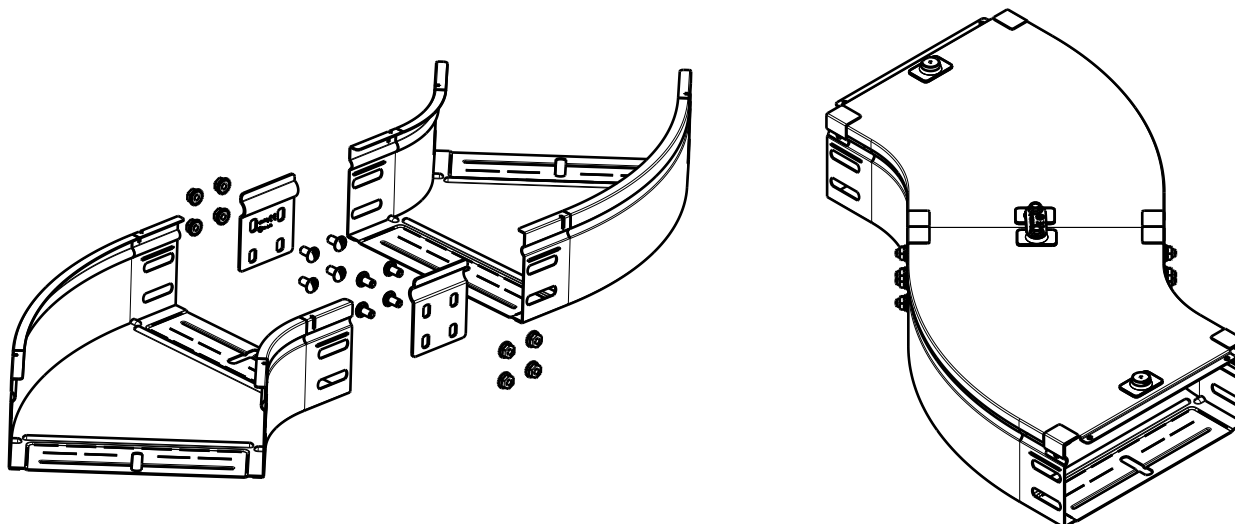
■ **4.2 Fitting to cable tray**

Flat bend height 75 are assembled using 10 screws M6x12 on the side and on the bottom.  
 The screws in the middle are optional up to and included width 300mm.



■ **5.3 Fitting to fitting**

Slide together the two fittings and add 2pc of EA height 75-100 coupler (X9G71Z,C,L) using 4 screws M6x12 on each coupler.



**6. TECHNICAL DATA**

■ **6.1 Climatic characteristics**

Storage and operating temperture : - 20° C à + 120° C

■ **6.2 Material characteristics**

Material finish	Material	Standard	Resistance class against corrosion
PG	DX51D + Z200	EN 10346	Classe 3 - CEI 61537
BLUE	DX51D + Z200	EN10346	Classe 3 - CEI 61537
HDG	DC 01	EN 10130	Classe 6 - CEI 61537
SS304	X5CrNi18-10	EN 10 088-2	Classe 9A - CEI 61537
SS316L	X2CrNiMo17-12-2	EN 10 088-2	Classe 9B - CEI 61537

**7. CONFORMITY - CERTIFICATION**

Comply with CEI 61537 Cable tray systems

Certification: CE, IMQ