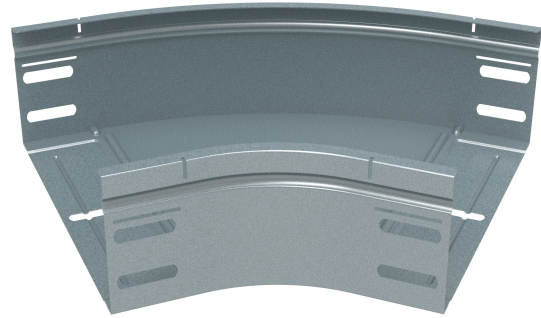
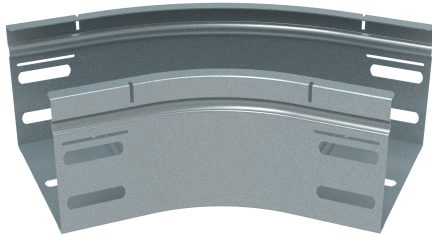


P31 - FLAT BEND 45° H75

Reference(s): BJ../075Z/100Z/150Z/200Z/300Z/400Z/500Z/600Z
BJ../075C/100C/150C/200C/300C/400C/500C/600C
BJ../075L/100L/150L/200L/300L/400L/500L/600L



1. USE

Flat bend 45° in H75 with blind bottom

2. RANGE BLIND

■ 2.1 Flat bend 45° H75 PG

Description	Code	Width		Weight		Thickness		Coating	Section	
		(mm)	(inch)	(Kg)	(lb)	(mm)	(inch)		(mm ²)	(inch ²)
P31- FLAT BEND 45D 75X75 PG	BJ075Z	77	3,03	0,30	0,67	0,7	0,028	PG	6107	9,47
P31- FLAT BEND 45D 75X100 PG	BJ100Z	100	3,94	0,35	0,76	0,7	0,028	PG	7908	12,26
P31- FLAT BEND 45D 75X150 PG	BJ150Z	150	5,91	0,44	0,98	0,7	0,028	PG	11823	18,33
P31- FLAT BEND 45D 75X200 PG	BJ200Z	200	7,87	0,56	1,22	0,7	0,028	PG	15738	24,39
P31- FLAT BEND 45D 75X300 PG	BJ300Z	300	11,81	0,81	1,78	0,7	0,028	PG	23568	36,53
P31- FLAT BEND 45D 75X400 PG	BJ400Z	400	15,75	1,10	2,43	0,7	0,028	PG	31398	48,67
P31- FLAT BEND 45D 75X500 PG	BJ500Z	500	19,69	1,44	3,18	0,7	0,028	PG	39228	60,80
P31- FLAT BEND 45D 75X600 PG	BJ600Z	600	23,62	1,83	4,02	0,7	0,028	PG	47058	72,94

■ 2.2 Flat bend 45° H75 HDG

Description	Code	Width		Weight		Thickness		Coating	Section	
		(mm)	(inch)	(Kg)	(lb)	(mm)	(inch)		(mm ²)	(inch ²)
P31- FLAT BEND 45D 75X75 HDG	BJ075C	77	3,03	0,33	0,73	0,7	0,028	HDG	6107	9,47
P31- FLAT BEND 45D 75X100 HDG	BJ100C	100	3,94	0,38	0,84	0,7	0,028	HDG	7908	12,26
P31- FLAT BEND 45D 75X150 HDG	BJ150C	150	5,91	0,48	1,07	0,7	0,028	HDG	11823	18,33
P31- FLAT BEND 45D 75X200 HDG	BJ200C	200	7,87	0,62	1,36	0,7	0,028	HDG	15738	24,39
P31- FLAT BEND 45D 75X300 HDG	BJ300C	300	11,81	0,89	1,96	0,7	0,028	HDG	23568	36,53
P31- FLAT BEND 45D 75X400 HDG	BJ400C	400	15,75	1,21	2,67	0,7	0,028	HDG	31398	48,67
P31- FLAT BEND 45D 75X500 HDG	BJ500C	500	19,69	1,58	3,49	0,7	0,028	HDG	39228	60,80
P31- FLAT BEND 45D 75X600 HDG	BJ600C	600	23,62	2,01	4,44	0,7	0,028	HDG	47058	72,94

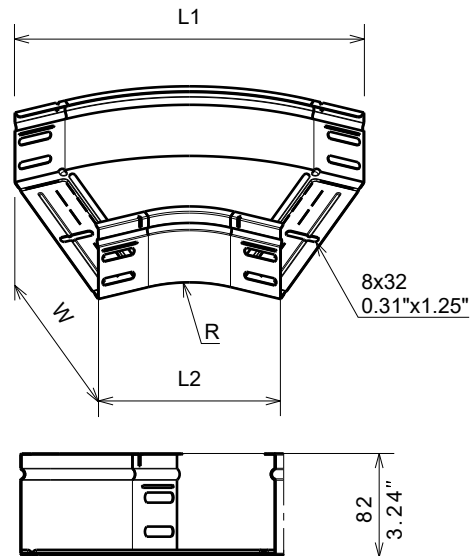
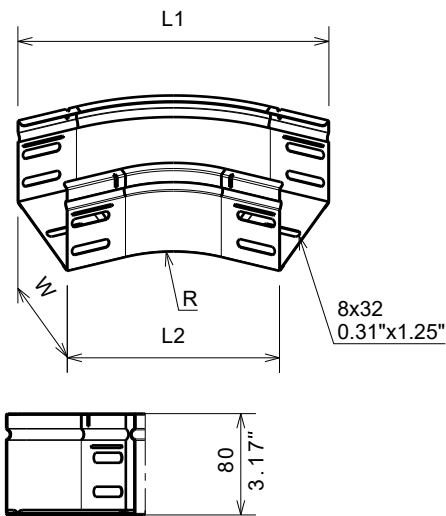
■ 2.3 Flat bend 45° H75 SS316L

Description	Code	Width		Weight		Thickness		Coating	Section	
		(mm)	(inch)	(Kg)	(lb)	(mm)	(inch)		(mm ²)	(inch ²)
P31- FLAT BEND 45D 75X75 SS 316L	BJ075L	77	3,03	0,30	0,67	0,7	0,028	SS 316L	6107	9,47
P31- FLAT BEND 45D 75X100 SS 316L	BJ100L	100	3,94	0,35	0,76	0,7	0,028	SS 316L	7908	12,26
P31- FLAT BEND 45D 75X150 SS 316L	BJ150L	150	5,91	0,44	0,98	0,7	0,028	SS 316L	11823	18,33
P31- FLAT BEND 45D 75X200 SS 316L	BJ200L	200	7,87	0,56	1,22	0,7	0,028	SS 316L	15738	24,39
P31- FLAT BEND 45D 75X300 SS 316L	BJ300L	300	11,81	0,81	1,78	0,7	0,028	SS 316L	23568	36,53
P31- FLAT BEND 45D 75X400 SS 316L	BJ400L	400	15,75	1,10	2,43	0,7	0,028	SS 316L	31398	48,67
P31- FLAT BEND 45D 75X500 SS 316L	BJ500L	500	19,69	1,44	3,18	0,7	0,028	SS 316L	39228	60,80
P31- FLAT BEND 45D 75X600 SS 316L	BJ600L	600	23,62	1,83	4,02	0,7	0,028	SS 316L	47058	72,94

3. DIMENSIONS (mm/inch)

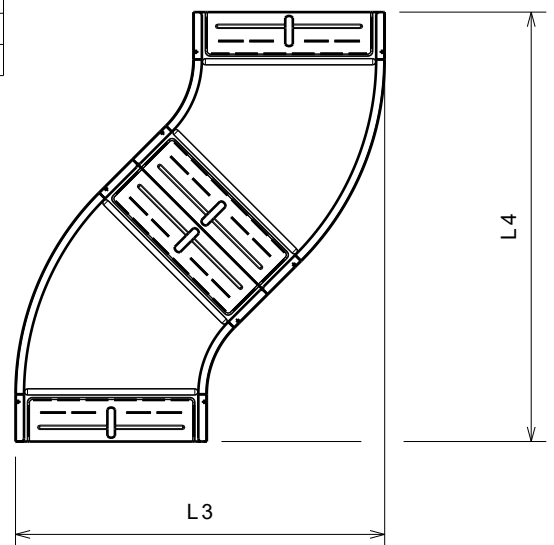
■ 3.1 Fitting dimension

Description	Width		Radius		L1		L2	
	(mm)	(inch)	(mm)	(inch)	(mm)	(inch)	(mm)	(inch)
P31-FLAT BEND 45D 75X75	81	3,19	100	3,94	230	9,06	168	6,61
P31-FLAT BEND 45D 75X100	104	4,09	100	3,94	247	9,72	168	6,61
P31-FLAT BEND 45D 75X150	154	6,06	100	3,94	286	11,26	168	6,61
P31-FLAT BEND 45D 75X200	204	8,03	100	3,94	324	12,76	168	6,61
P31-FLAT BEND 45D 75X300	304	11,97	100	3,94	400	15,75	168	6,61
P31-FLAT BEND 45D 75X400	404	15,91	100	3,94	477	18,78	168	6,61
P31-FLAT BEND 45D 75X500	504	19,84	100	3,94	553	21,77	168	6,61
P31-FLAT BEND 45D 75X600	604	23,78	100	3,94	626	24,65	168	6,61



■ 3.2 Fitting to fitting dimension

Description	L3		L4	
	(mm)	(inch)	(mm)	(inch)
P31-FLAT BEND 45D 75X75	233	9,17	367	14,45
P31-FLAT BEND 45D 75X100	236	9,29	384	15,12
P31-FLAT BEND 45D 75X150	324	12,76	419	16,50
P31-FLAT BEND 45D 75X200	392	15,43	454	17,87
P31-FLAT BEND 45D 75X300	521	20,51	525	20,67
P31-FLAT BEND 45D 75X400	651	25,63	596	23,46
P31-FLAT BEND 45D 75X500	780	30,71	666	26,22
P31-FLAT BEND 45D 75X600	910	35,83	737	29,02



4. INSTALLATION

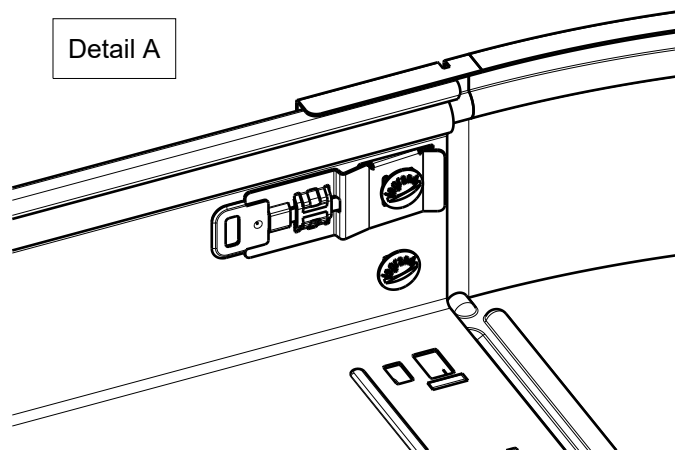
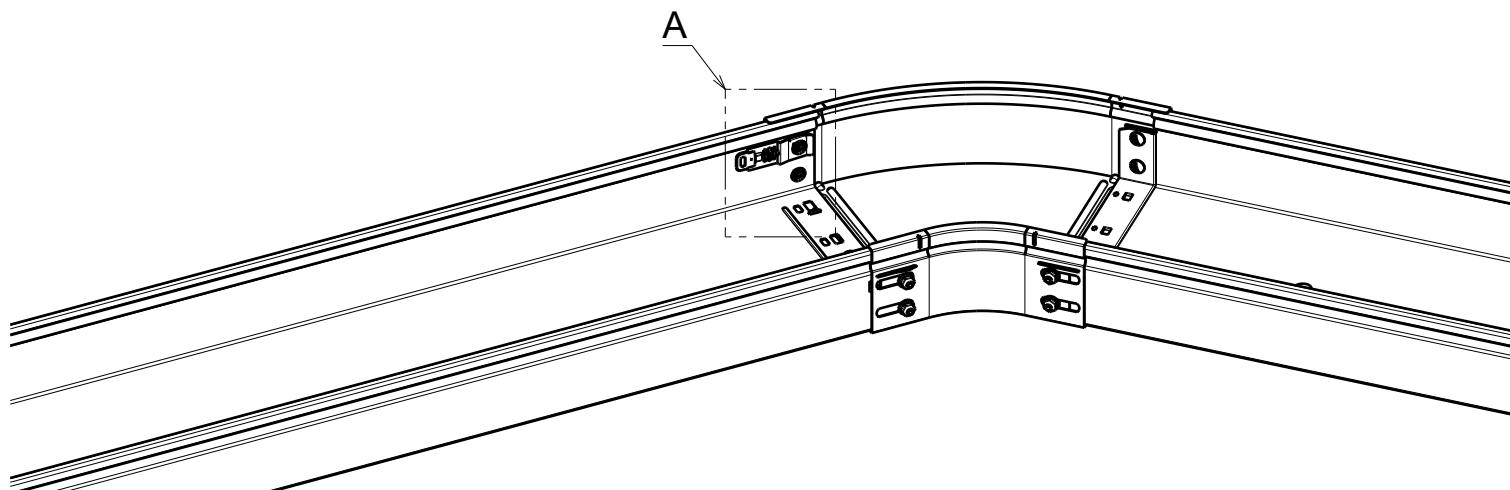
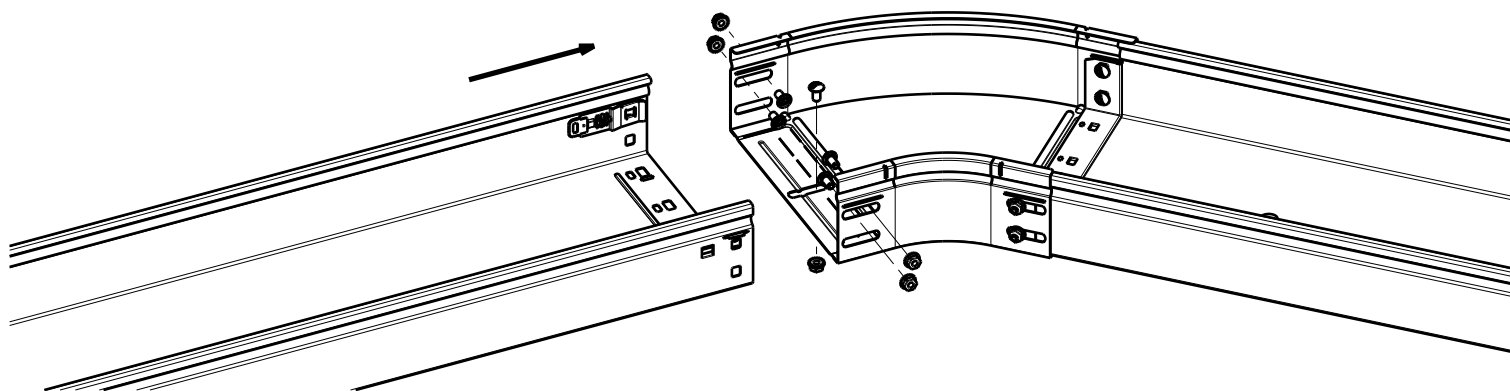
■ 4.1 Screw

Use screws M6x12 tightened at 11Nm

Reference(s): 341895/ 03V1M610Z (PG)
485035 (Zn-Ni)
346895/ 03V1M610L (SS316L)

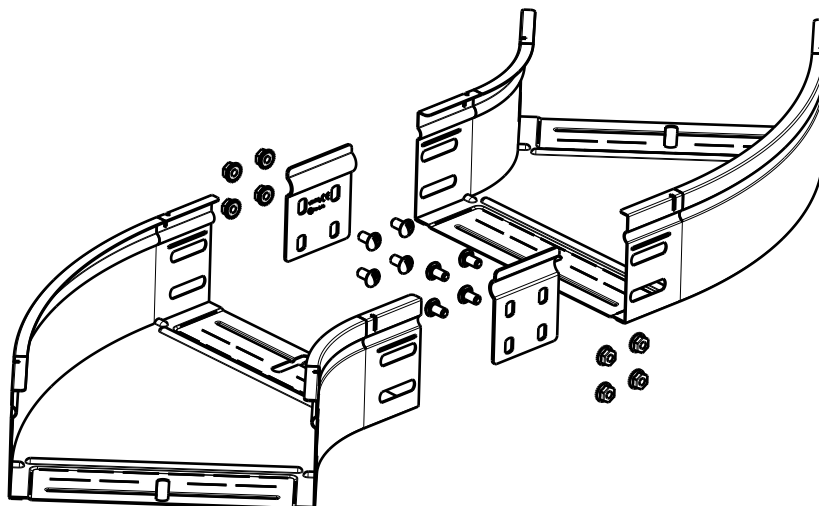
■ 4.2 Fitting to cable tray

Flat bend height 75 are assembled using 10 screws M6x12 on the side and on the bottom.
The screws in the middle are optional up to and included width 300mm.



■ **5.3 Fitting to fitting**

Slide together the two fittings and add 2pc of EA height 75-100 coupler (X9G71Z,C,L) using 4 screws M6x12 on each coupler.



6. TECHNICAL DATA

■ **6.1 Climatic characteristics**

Storage and operating temperture : - 20° C à + 120° C

■ **6.2 Material characteristics**

Material finish	Material	Standard	Resistance class against corrosion
PG	DX51D + Z200	EN 10346	Classe 3 - CEI 61537
BLUE	DX51D + Z200	EN10346	Classe 3 - CEI 61537
HDG	DC 01	EN 10130	Classe 6 - CEI 61537
SS304	X5CrNi18-10	EN 10 088-2	Classe 9A - CEI 61537
SS316L	X2CrNiMo17-12-2	EN 10 088-2	Classe 9B - CEI 61537

7. CONFORMITY - CERTIFICATION

Comply with CEI 61537 Cable tray systems
 Certification: CE, IMQ