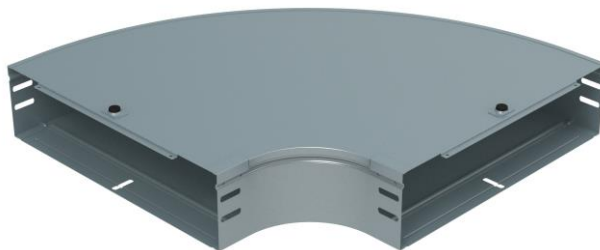


P31 - FLAT BEND 90° H100 + COVER

Reference(s): 4803../47/48/49/50/51/52/480729
4823../47/48/49/50/51/52/482729
4843../47/48/49/50/51/52



1. USE

Flat bend 90° in H100 with blind bottom and cover

2. RANGE

■ 2.1 Flat bend 90° H100 + cover blind PG

Description	Code	Width		Weight		Thickness		Coating	Section	
		(mm)	(inch)	(Kg)	(lb)	(mm)	(inch)		(mm ²)	(inch ²)
P31- FLAT BEND 90D 100X100 PG	480347	100	3,94	0,89	1,97	0,7	0,03	PG	10231	15,86
P31- FLAT BEND 90D 100X150 PG	480348	150	5,91	1,22	2,69	0,7	0,03	PG	15296	23,71
P31- FLAT BEND 90D 100X200 PG	480349	200	7,87	1,58	3,49	0,7	0,03	PG	20361	31,56
P31- FLAT BEND 90D 100X300 PG	480350	300	11,81	2,42	5,34	0,7	0,03	PG	30491	47,26
P31- FLAT BEND 90D 100X400 PG	480351	400	15,75	3,59	7,91	0,7	0,03	PG	40621	62,96
P31- FLAT BEND 90D 100X500 PG	480352	500	19,69	4,80	10,57	0,7	0,03	PG	50751	78,66
P31- FLAT BEND 90D 100X600 PG	480729	600	23,62	6,11	13,46	0,7	0,03	PG	60881	94,37

■ 2.2 Flat bend 90° H100 + cover blind HDG

Description	Code	Width		Weight		Thickness		Coating	Section	
		(mm)	(inch)	(Kg)	(lb)	(mm)	(inch)		(mm ²)	(inch ²)
P31- FLAT BEND 90D 100X100 HDG	482347	100	3,94	0,98	2,16	0,7	0,03	HDG	10231	15,86
P31- FLAT BEND 90D 100X150 HDG	482348	150	5,91	1,34	2,96	0,7	0,03	HDG	15296	23,71
P31- FLAT BEND 90D 100X200 HDG	482349	200	7,87	1,74	3,84	0,7	0,03	HDG	20361	31,56
P31- FLAT BEND 90D 100X300 HDG	482350	300	11,81	2,67	5,88	0,7	0,03	HDG	30491	47,26
P31- FLAT BEND 90D 100X400 HDG	482351	400	15,75	3,95	8,70	0,7	0,03	HDG	40621	62,96
P31- FLAT BEND 90D 100X500 HDG	482352	500	19,69	5,27	11,63	0,7	0,03	HDG	50751	78,66
P31- FLAT BEND 90D 100X600 HDG	482729	600	23,62	6,72	14,81	0,7	0,03	HDG	60881	94,37

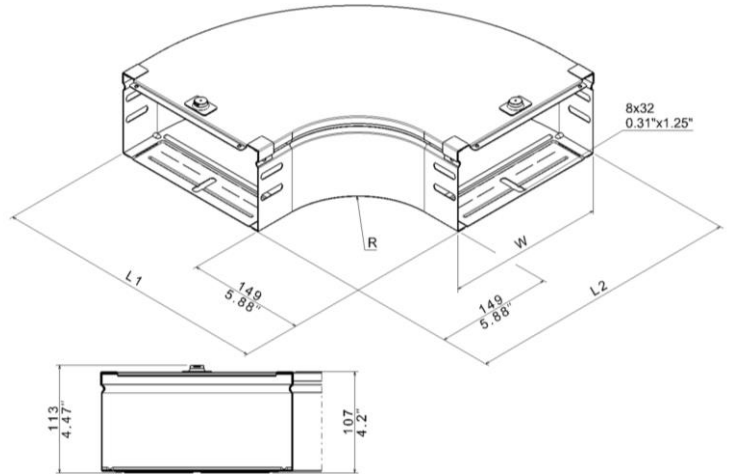
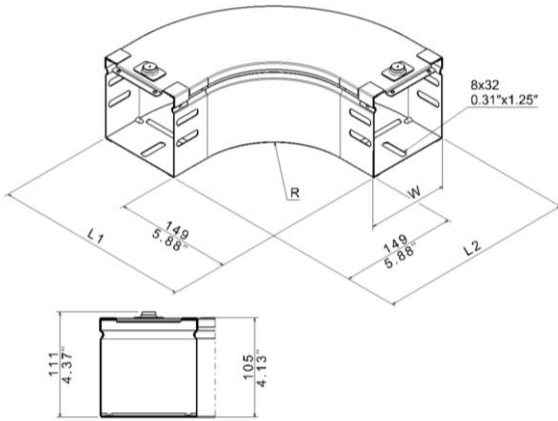
■ 2.3 Flat bend 90° H100 + cover blind BLUE

Description	Code	Width		Weight		Thickness		Coating	Section	
		(mm)	(inch)	(Kg)	(lb)	(mm)	(inch)		(mm ²)	(inch ²)
P31- FLAT BEND 90D 100X100 BLUE	484347	100	3,94	0,89	1,97	0,7	0,03	BLUE	10231	15,86
P31- FLAT BEND 90D 100X150 BLUE	484348	150	5,91	1,22	2,69	0,7	0,03	BLUE	15296	23,71
P31- FLAT BEND 90D 100X200 BLUE	484349	200	7,87	1,58	3,49	0,7	0,03	BLUE	20361	31,56
P31- FLAT BEND 90D 100X300 BLUE	484350	300	11,81	2,42	5,34	0,7	0,03	BLUE	30491	47,26
P31- FLAT BEND 90D 100X400 BLUE	484351	400	15,75	3,59	7,91	0,7	0,03	BLUE	40621	62,96
P31- FLAT BEND 90D 100X500 BLUE	484352	500	19,69	4,80	10,57	0,7	0,03	BLUE	50751	78,66

3. DIMENSIONS (mm/inch)

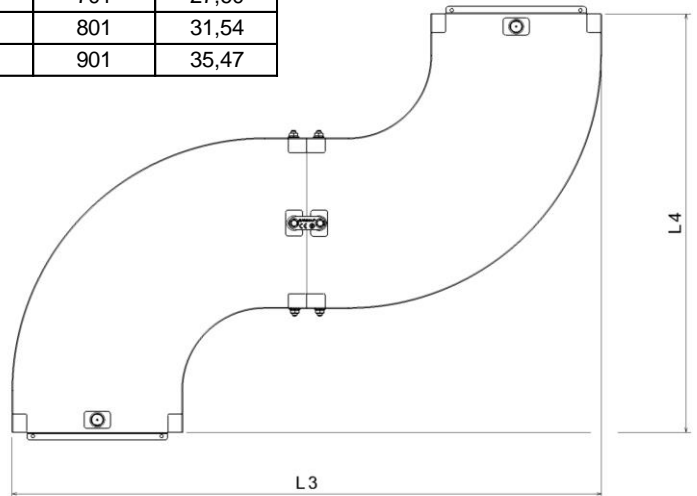
■ 3.1 Fitting dimensions

Description	Width		Radius		L1		L2	
	(mm)	(inch)	(mm)	(inch)	(mm)	(inch)	(mm)	(inch)
P31-FLAT BEND 90D 100X100	104	4,09	100	3,94	252	9,92	252	9,92
P31-FLAT BEND 90D 100X150	154	6,06	100	3,94	302	11,89	302	11,89
P31-FLAT BEND 90D 100X200	204	8,03	100	3,94	352	13,86	352	13,86
P31-FLAT BEND 90D 100X300	304	11,97	100	3,94	452	17,80	452	17,80
P31-FLAT BEND 90D 100X400	404	15,91	100	3,94	552	21,73	552	21,73
P31-FLAT BEND 90D 100X500	504	19,84	100	3,94	652	25,67	652	25,67
P31-FLAT BEND 90D 100X600	604	23,78	100	3,94	752	29,61	752	29,61



■ 3.2 Fitting to fitting dimensions

Description	L3		L4	
	(mm)	(inch)	(mm)	(inch)
P31-FLAT BEND 90D 100X100	505	19,88	401	15,79
P31-FLAT BEND 90D 100X150	605	23,82	451	17,76
P31-FLAT BEND 90D 100X200	705	27,76	501	19,72
P31-FLAT BEND 90D 100X300	905	35,63	601	23,66
P31-FLAT BEND 90D 100X400	1105	43,50	701	27,60
P31-FLAT BEND 90D 100X500	1305	51,38	801	31,54
P31-FLAT BEND 90D 100X600	1505	59,25	901	35,47



4. INSTALLATION

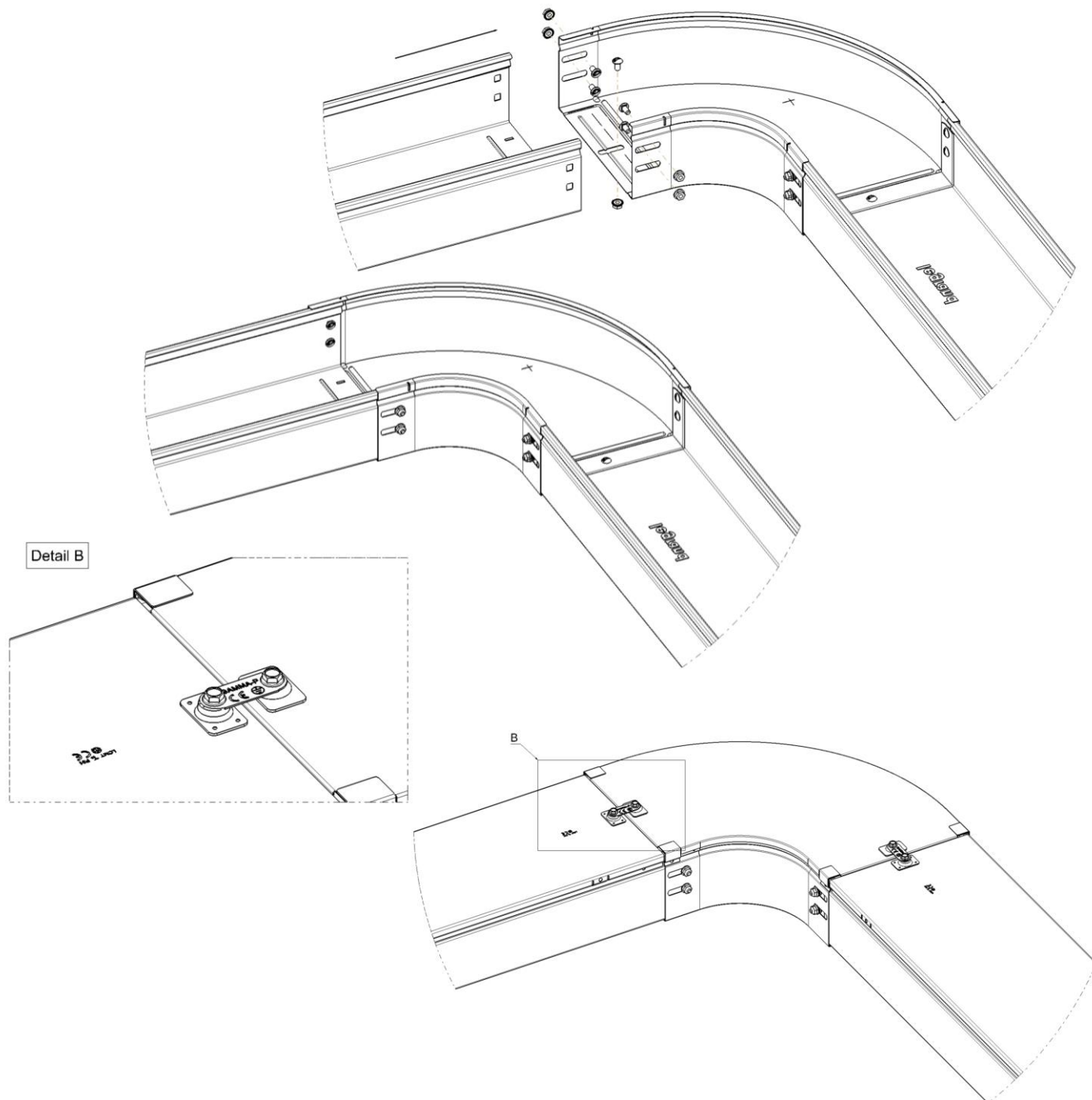
■ 4.1 Screw

Use screws M6x12 tightened at 11Nm

Reference(s): 341895/ 03V1M610Z (PG)
 485035 (Zn-Ni)
 346895/ 03V1M610L (SS316L)
 341708 / 31X99X999 (PG)
 346474 / 31X99X99X (SS316L)

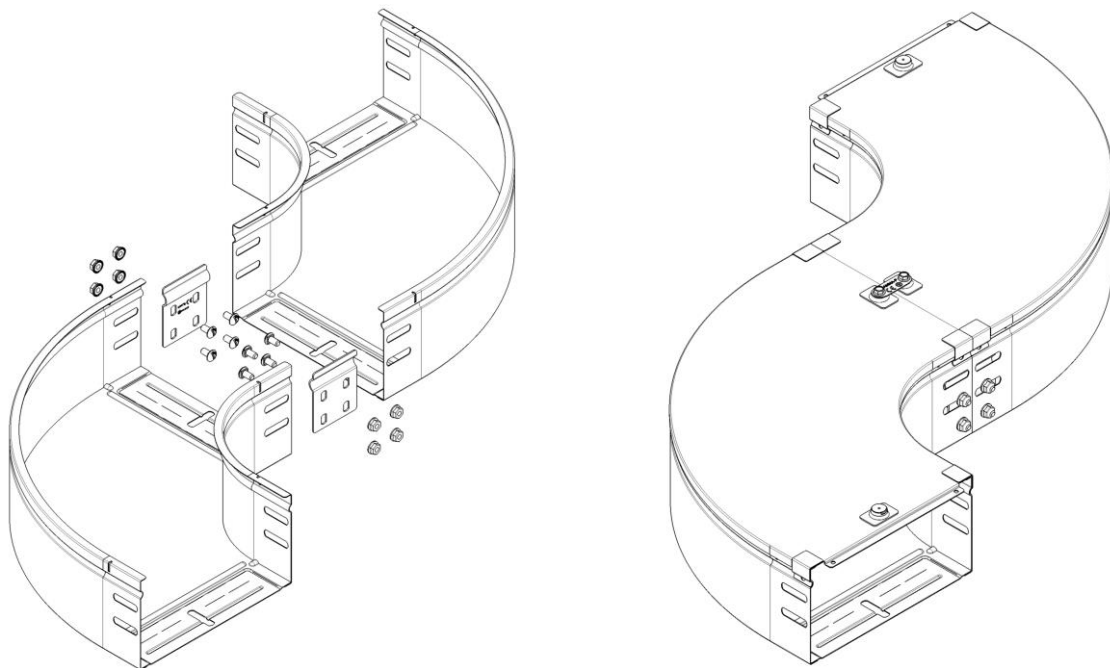
■ 4.2 Fitting to cable tray

Flat bend height 100 are assembled using 10 screws M6x12 on the side and on the bottom.
 The screws in the middle is optional up to and included width 300mm.



■ **5.3 Fitting to fitting**

Slide together the two fittings and add 2pc of EA height 75-100 coupler (X9G71Z,C,L) using 4 screws M6x12 on each coupler.



6. TECHNICAL DATA

■ **6.1 Climatic characteristics**

Storage and operating temperature: - 20° C à + 120° C

■ **6.2 Material characteristics**

Material finish	Material	Standard	Resistance class against corrosion
PG	DX51D + Z200	EN 10346	Classe 3 - CEI 61537
BLUE	DX51D + Z200	EN 10346	Classe 3 - CEI 61537
HDG	DC 01	EN 10130	Classe 6 - CEI 61537
SS304	X5CrNi18-10	EN 10 088-2	Classe 9A - CEI 61537
SS316L	X2CrNiMo17-12-2	EN 10 088-2	Classe 9B - CEI 61537

7. CONFORMITY - CERTIFICATION

Comply with CEI 61537 Cable tray systems

Certification: CE, IMQ