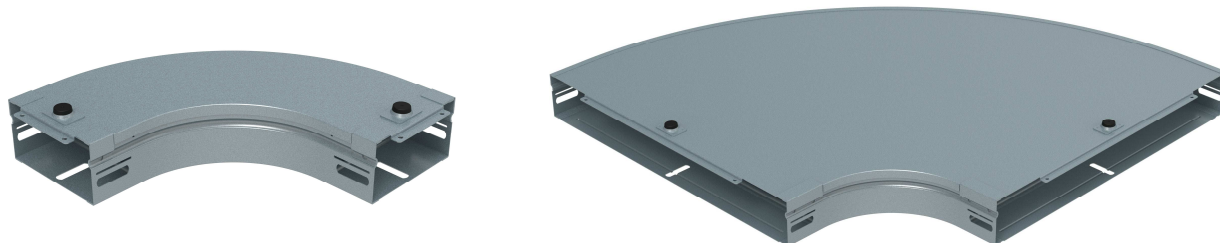


## P31 - FLAT BEND 90° H50 + COVER

Reference(s): 31AIB050..(Z,C,G)  
340331- 4803..../22/33/34/35/36/37/38  
342331- 4823..../32/33/34/35/36/37/38  
344331- 4843..../32/33/34/35/36/37/38



### 1. USE

Flat bend 90° in H50 with blind bottom and cover

### 2. RANGE

#### ■ 2.1 Flat bend 90° H50 + cover blind PG

| Description                  | Code      | Code Export | Width |        | Weight |       | Thickness |        | Coating | Section |         |
|------------------------------|-----------|-------------|-------|--------|--------|-------|-----------|--------|---------|---------|---------|
|                              |           |             | (mm)  | (inch) | (Kg)   | (lb)  | (mm)      | (inch) |         | (mm²)   | (inch²) |
| P31- FLAT BEND 90D 50X50 PG  | 31AIB050Z | 340331      | 50    | 1,97   | 0,26   | 0,57  | 1,0       | 0,04   | PG      | 2306    | 3,57    |
| P31- FLAT BEND 90D 50X100 PG | 480332    | --          | 100   | 3,94   | 0,71   | 1,57  | 0,7       | 0,03   | PG      | 5181    | 8,03    |
| P31- FLAT BEND 90D 50X150 PG | 480333    | --          | 150   | 5,91   | 1,02   | 2,24  | 0,7       | 0,03   | PG      | 7746    | 12,01   |
| P31- FLAT BEND 90D 50X200 PG | 480334    | --          | 200   | 7,87   | 1,36   | 3,00  | 0,7       | 0,03   | PG      | 10311   | 15,98   |
| P31- FLAT BEND 90D 50X300 PG | 480335    | --          | 300   | 11,81  | 2,16   | 4,76  | 0,7       | 0,03   | PG      | 15441   | 23,93   |
| P31- FLAT BEND 90D 50X400 PG | 480336    | --          | 400   | 15,75  | 3,28   | 7,22  | 0,7       | 0,03   | PG      | 20571   | 31,89   |
| P31- FLAT BEND 90D 50X500 PG | 480337    | --          | 500   | 19,69  | 4,44   | 9,79  | 0,7       | 0,03   | PG      | 25701   | 39,84   |
| P31- FLAT BEND 90D 50X600 PG | 480338    | --          | 600   | 23,62  | 5,71   | 12,58 | 0,7       | 0,03   | PG      | 30831   | 47,79   |

#### ■ 2.2 Flat bend 90° H50 + cover blind HDG

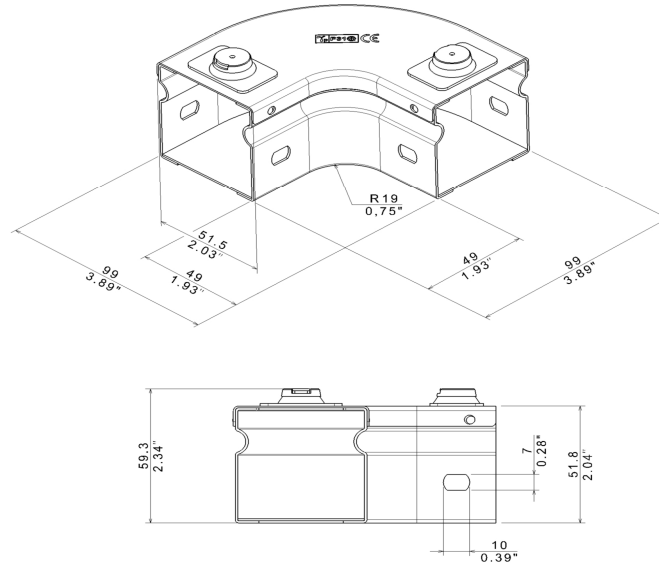
| Description                   | Code      | Code Export | Width |        | Weight |       | Thickness |        | Coating | Section |         |
|-------------------------------|-----------|-------------|-------|--------|--------|-------|-----------|--------|---------|---------|---------|
|                               |           |             | (mm)  | (inch) | (Kg)   | (lb)  | (mm)      | (inch) |         | (mm²)   | (inch²) |
| P31- FLAT BEND 90D 50X50 HDG  | 31AIB050C | 342331      | 50    | 1,97   | 0,29   | 0,63  | 1,0       | 0,04   | HDG     | 2306    | 3,57    |
| P31- FLAT BEND 90D 50X100 HDG | 482332    | --          | 100   | 3,94   | 0,78   | 1,72  | 0,7       | 0,03   | HDG     | 5181    | 8,03    |
| P31- FLAT BEND 90D 50X150 HDG | 482333    | --          | 150   | 5,91   | 1,12   | 2,47  | 0,7       | 0,03   | HDG     | 7746    | 12,01   |
| P31- FLAT BEND 90D 50X200 HDG | 482334    | --          | 200   | 7,87   | 1,49   | 3,30  | 0,7       | 0,03   | HDG     | 10311   | 15,98   |
| P31- FLAT BEND 90D 50X300 HDG | 482335    | --          | 300   | 11,81  | 2,37   | 5,23  | 0,7       | 0,03   | HDG     | 15441   | 23,93   |
| P31- FLAT BEND 90D 50X400 HDG | 482336    | --          | 400   | 15,75  | 3,60   | 7,95  | 0,7       | 0,03   | HDG     | 20571   | 31,89   |
| P31- FLAT BEND 90D 50X500 HDG | 482337    | --          | 500   | 19,69  | 4,89   | 10,77 | 0,7       | 0,03   | HDG     | 25701   | 39,84   |
| P31- FLAT BEND 90D 50X600 HDG | 482338    | --          | 600   | 23,62  | 6,28   | 13,84 | 0,7       | 0,03   | HDG     | 30831   | 47,79   |

#### ■ 2.3 Flat bend 90° H50 + cover blind BLUE

| Description                    | Code      | Code Export | Width |        | Weight |       | Thickness |        | Coating | Section |         |
|--------------------------------|-----------|-------------|-------|--------|--------|-------|-----------|--------|---------|---------|---------|
|                                |           |             | (mm)  | (inch) | (Kg)   | (lb)  | (mm)      | (inch) |         | (mm²)   | (inch²) |
| P31- FLAT BEND 90D 50X50 BLUE  | 31AIB050G | 344331      | 50    | 1,97   | 0,26   | 0,57  | 1,0       | 0,04   | BLUE    | 2306    | 3,57    |
| P31- FLAT BEND 90D 50X100 BLUE | 484332    | --          | 100   | 3,94   | 0,71   | 1,57  | 0,7       | 0,03   | BLUE    | 5181    | 8,03    |
| P31- FLAT BEND 90D 50X150 BLUE | 484333    | --          | 150   | 5,91   | 1,02   | 2,24  | 0,7       | 0,03   | BLUE    | 7746    | 12,01   |
| P31- FLAT BEND 90D 50X200 BLUE | 484334    | --          | 200   | 7,87   | 1,36   | 3,00  | 0,7       | 0,03   | BLUE    | 10311   | 15,98   |
| P31- FLAT BEND 90D 50X300 BLUE | 484335    | --          | 300   | 11,81  | 2,16   | 4,76  | 0,7       | 0,03   | BLUE    | 15441   | 23,93   |
| P31- FLAT BEND 90D 50X400 BLUE | 484336    | --          | 400   | 15,75  | 3,28   | 7,22  | 0,7       | 0,03   | BLUE    | 20571   | 31,89   |
| P31- FLAT BEND 90D 50X500 BLUE | 484337    | --          | 500   | 19,69  | 4,44   | 9,79  | 0,7       | 0,03   | BLUE    | 25701   | 39,84   |
| P31- FLAT BEND 90D 50X600 BLUE | 484338    | --          | 600   | 23,62  | 5,71   | 12,58 | 0,7       | 0,03   | BLUE    | 30831   | 47,79   |

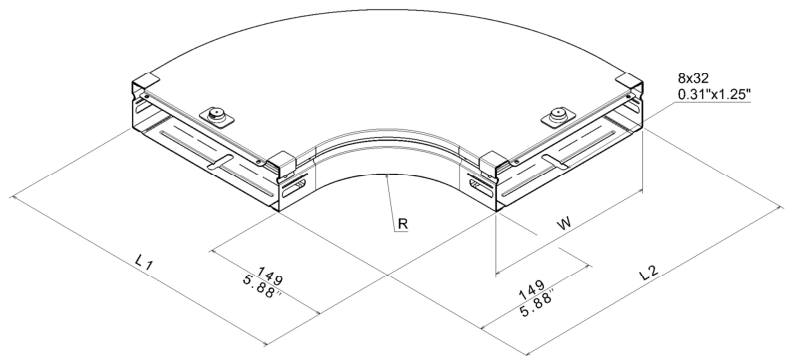
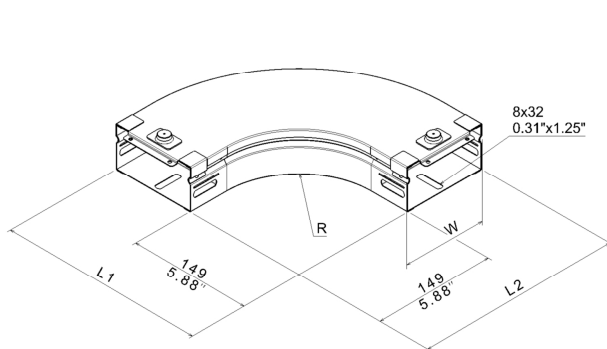
**3. DIMENSIONS (mm/inch)**

■ 3.1 Flat bend W50



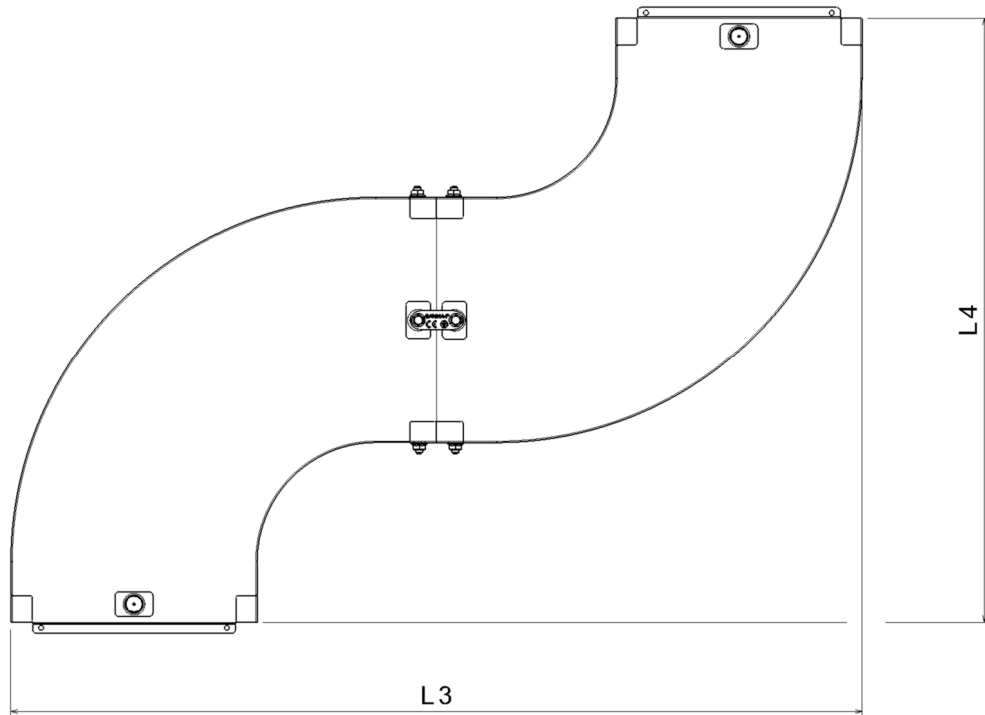
■ 3.2 Flat bend from W100 to W600

| Description              | Width |        | Radius |        | L1   |        | L2   |        |
|--------------------------|-------|--------|--------|--------|------|--------|------|--------|
|                          | (mm)  | (inch) | (mm)   | (inch) | (mm) | (inch) | (mm) | (inch) |
| P31-FLAT BEND 90D 50X100 | 104   | 4,09   | 100    | 3,94   | 252  | 9,92   | 252  | 9,92   |
| P31-FLAT BEND 90D 50X150 | 154   | 6,06   | 100    | 3,94   | 302  | 11,89  | 302  | 11,89  |
| P31-FLAT BEND 90D 50X200 | 204   | 8,03   | 100    | 3,94   | 352  | 13,86  | 352  | 13,86  |
| P31-FLAT BEND 90D 50X300 | 304   | 11,97  | 100    | 3,94   | 452  | 17,80  | 452  | 17,80  |
| P31-FLAT BEND 90D 50X400 | 404   | 15,91  | 100    | 3,94   | 552  | 21,73  | 552  | 21,73  |
| P31-FLAT BEND 90D 50X500 | 504   | 19,84  | 100    | 3,94   | 652  | 25,67  | 652  | 25,67  |
| P31-FLAT BEND 90D 50X600 | 604   | 23,78  | 100    | 3,94   | 752  | 29,61  | 752  | 29,61  |



■ 3.3 Fitting to fitting dimensions

| Description              | L3   |        | L4   |        |
|--------------------------|------|--------|------|--------|
|                          | (mm) | (inch) | (mm) | (inch) |
| P31-FLAT BEND 90D 50X50  | 200  | 7,87   | 148  | 5,83   |
| P31-FLAT BEND 90D 50X100 | 505  | 19,88  | 401  | 15,79  |
| P31-FLAT BEND 90D 50X150 | 605  | 23,82  | 451  | 17,76  |
| P31-FLAT BEND 90D 50X200 | 705  | 27,76  | 501  | 19,72  |
| P31-FLAT BEND 90D 50X300 | 905  | 35,63  | 601  | 23,66  |
| P31-FLAT BEND 90D 50X400 | 1105 | 43,50  | 701  | 27,60  |
| P31-FLAT BEND 90D 50X500 | 1305 | 51,38  | 801  | 31,54  |
| P31-FLAT BEND 90D 50X600 | 1505 | 59,25  | 901  | 35,47  |



## 4. INSTALLATION

### ■ 4.1 Screw

Use screws M6x12 tightened at 11Nm

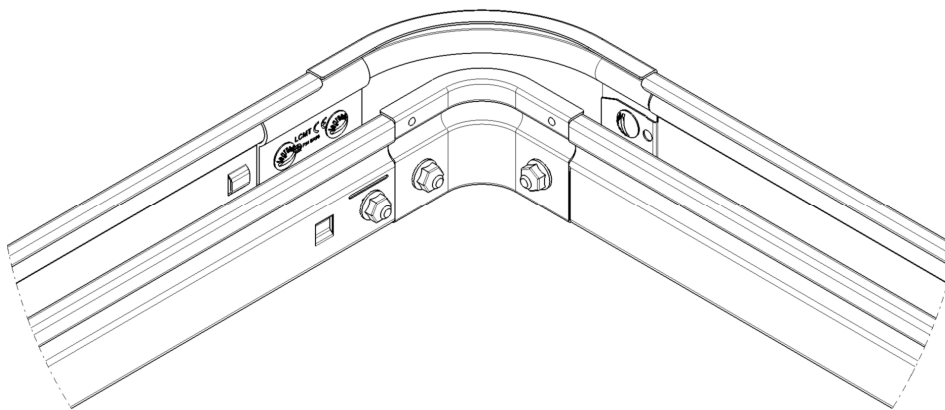
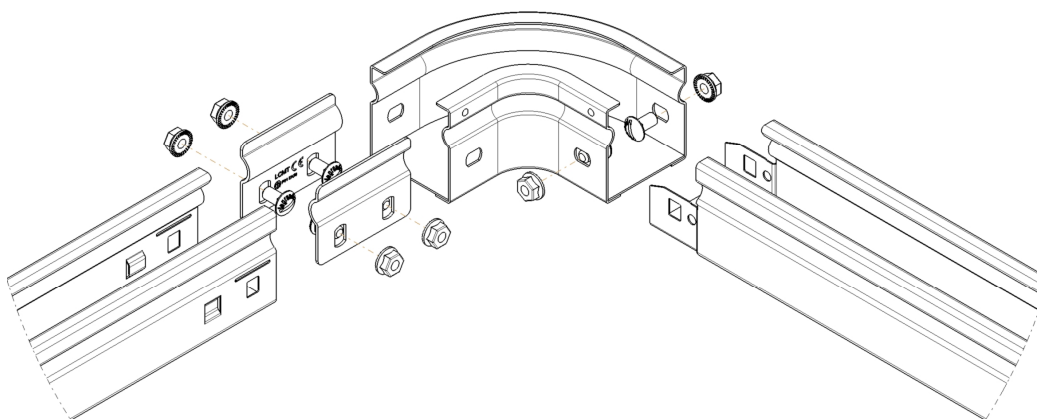
Reference(s): 341895/ 03V1M610Z (PG)  
 485035 (Zn-Ni)  
 346895/ 03V1M610L (SS316L)  
 341708 / 31X99X999 (PG)  
 346474 / 31X99X99X (SS316L)

### ■ 4.2 Fitting to cable tray W50

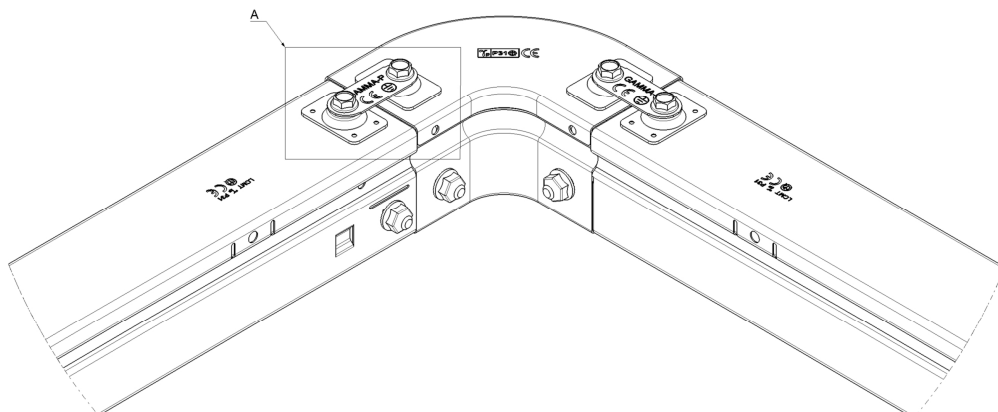
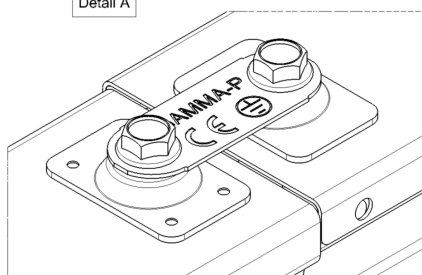
Flat bend width 50mm (1,97") are assembled:

- Female side to fitting using EA coupler LG-481562 (PG) or LG-483562 (HDG) and 4 screws M6x12
- Male side to fitting using 2 screws M6x12

Join all covers by earth connection using copper plate or cable to guarantee electrical continuity.

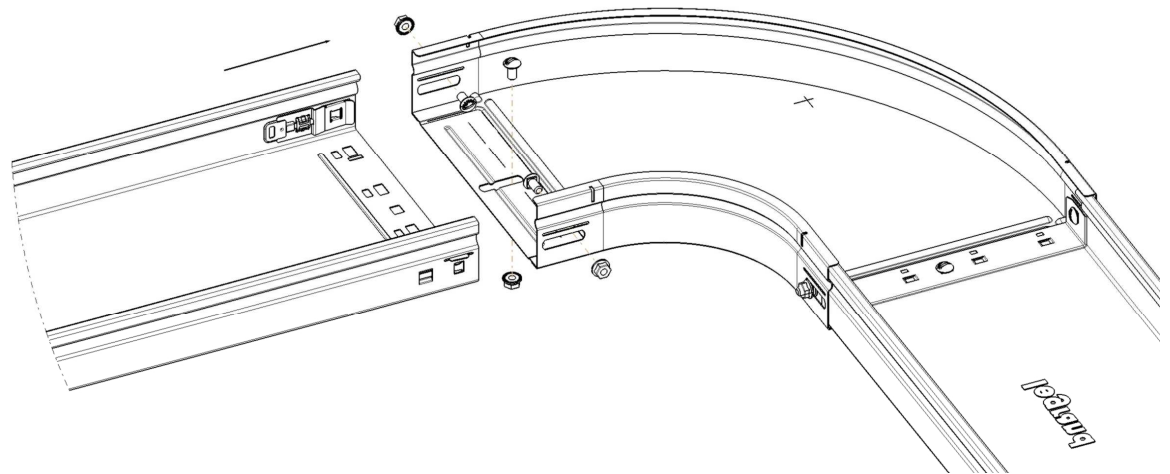


Detail A

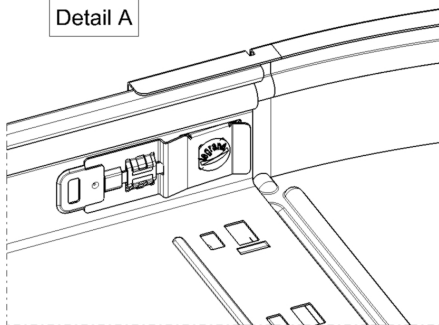


■ 4.3 Fitting to cable tray

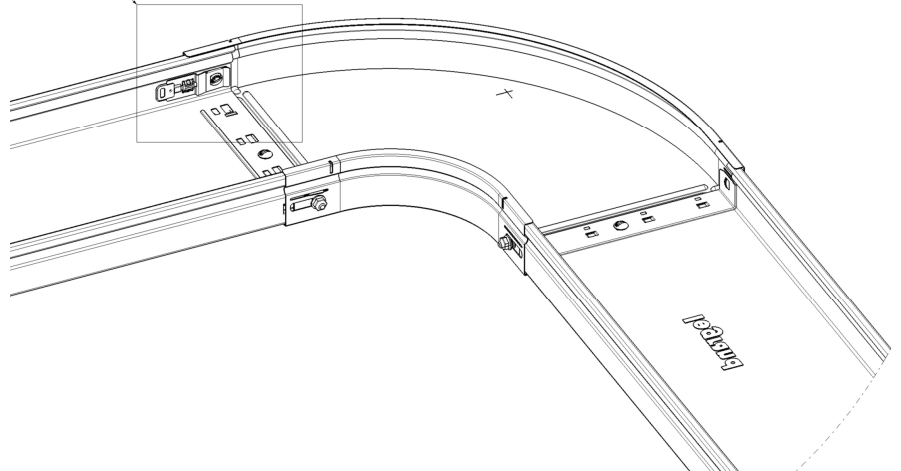
Flat bend height 50 are assembled using 6 screws M6x12 on the side and on the bottom.  
 The screws in the middle is optional up to and included width 300mm.



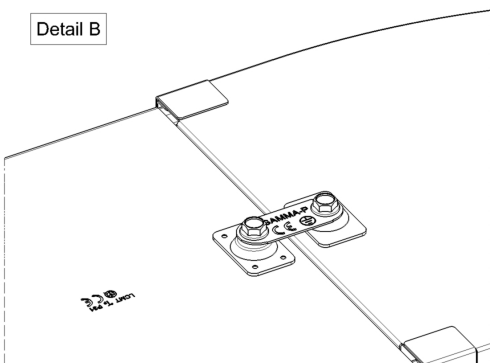
Detail A



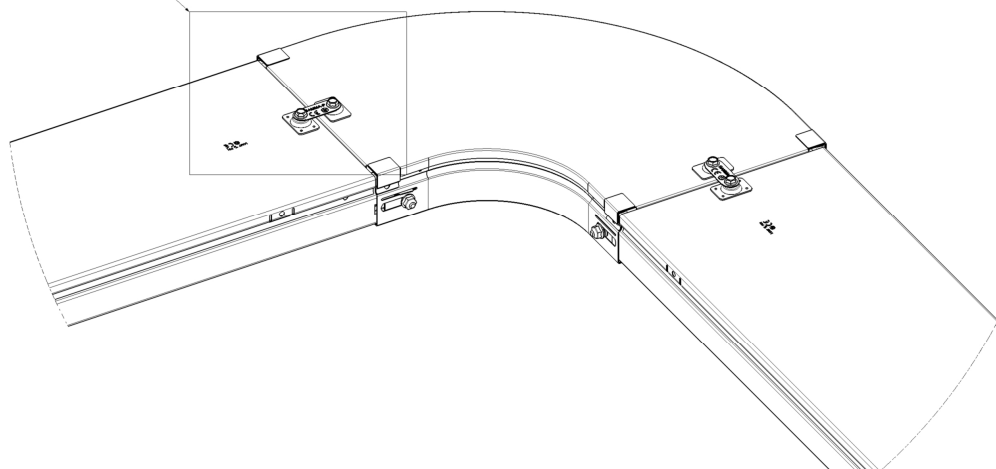
A



Detail B

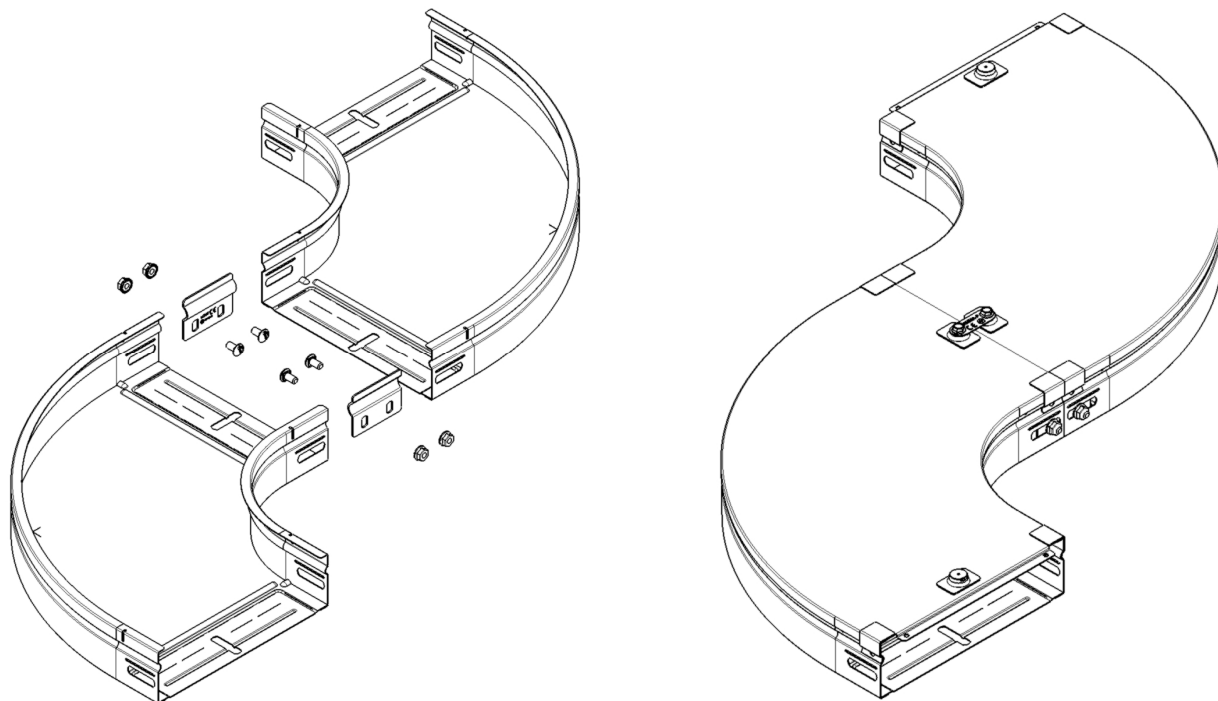


B



■ 4.4 Fitting to fitting

Slide together the two fittings and add 2pc of EA height 50-60 (481562 / 482562) coupler using 2 screws M6x12 on each coupler.



**5. TECHNICAL DATA**

■ 5.1 Climatic characteristics

Storage and operating temperature: - 20° C à + 120° C

■ 5.2 Material characteristics

| Material finish | Material        | Standard    | Resistance class against corrosion |
|-----------------|-----------------|-------------|------------------------------------|
| PG              | DX51D + Z200    | EN 10346    | Classe 3 - CEI 61537               |
| BLUE            | DX51D + Z200    | EN 10346    | Classe 3 - CEI 61537               |
| HDG             | DC 01           | EN 10130    | Classe 6 - CEI 61537               |
| SS304           | X5CrNi18-10     | EN 10 088-2 | Classe 9A - CEI 61537              |
| SS316L          | X2CrNiMo17-12-2 | EN 10 088-2 | Classe 9B - CEI 61537              |

**6. CONFORMITY - CERTIFICATION**

Comply with CEI 61537 Cable tray systems  
 Certification: CE, IMQ