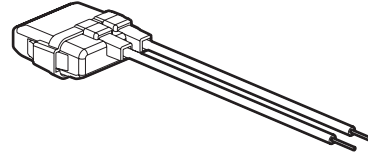
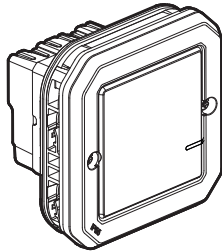


Plexo™ with Netatmo

Weatherproof connected 125 W LED switch without neutral with dimmer option

Cat. No(s): 0 698 75L/95L



0 401 49

1. USE

125 W LED connected switch without neutral with dimmer option, configured by default as ON/OFF (dimmer mode can be activated from the Home + Control app).

Can be used in conjunction with one or more wireless light switches. For local or remote control of your lighting.

Supplied with an active power compensator (Cat. No. 0 401 49), mandatory to ensure optimum operation with commercially-available lamps. One compensator per lighting circuit is sufficient.

With its IP55 weatherproofing, this product can be used to control a light or electrical appliance in places where damp and dust can be an issue (garage, cellar, workshop, kitchen, etc) as well as outdoors (terrace, etc). To be equipped with a surface-mounting box or plate support for surface-mounted or flush-mounted installation.

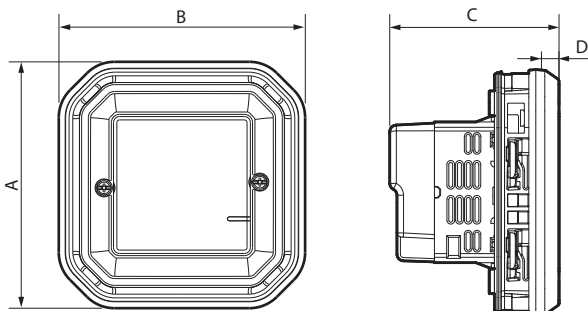
Easy to install in place of a standard switch.

2. RANGE

Product for use in conjunction with the "with Netatmo" starter pack. Equipped with an LED indicator (configuration) and a RESET button (concealed) used to return to factory settings

Grey	Anthracite
0 698 75L	0 698 95L

3. DIMENSIONS (mm)

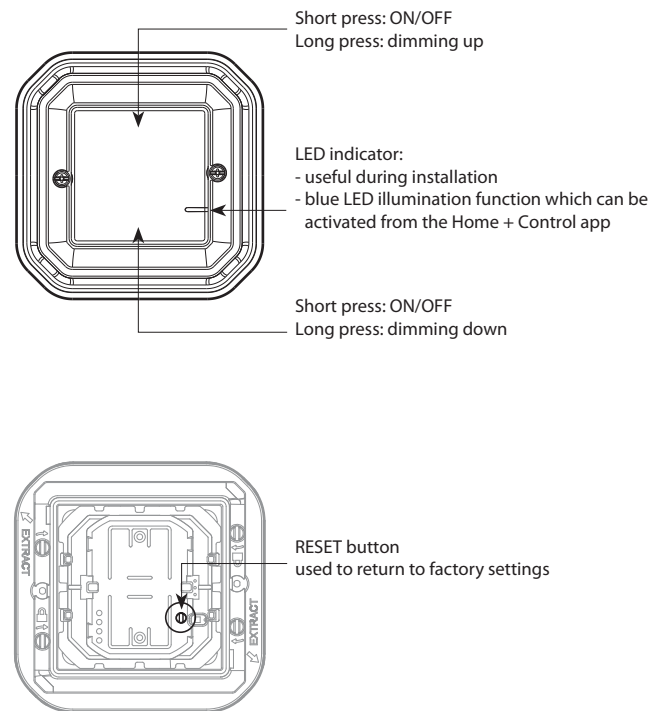


A	B	C	D
85.5	85.5	48.5	5

4. CONNECTION

Terminal type: screw
 Terminal capacity: 2 x 1.5 mm² or 1 x 2.5 mm²
 Stripping length: 8 mm
 Flat screwdriver: 3 mm

5. OPERATION



Plexo™ with Netatmo

Weatherproof connected 125 W LED switch without neutral with dimmer option

5. TECHNICAL CHARACTERISTICS

■ 5.1 Mechanical characteristics

Protection against impacts: IK 08

Protection against solid bodies and/or liquids: IP 55

■ 5.2 Material characteristics

Base: ABS

Plate: ABS

Cover plate: PP + SEBS

Rocker plate: Painted ABS

Transparent membrane: SEBS

Halogen-free

UV-resistant

Self-extinguishing:

850°C/30 s for insulating components holding live parts in place.

650°C/30 s for the other insulating components

■ 5.3 Electrical characteristics

Voltage: 110-240 V~

Power: 125 W

Frequency: 50/60 Hz

Standby consumption: 2.2 mA

Zigbee technology: 2.4 GHz to 2.4835 GHz

Power level: < 100 mW

Range: 200 m in unobstructed space

10 m between products indoors

■ 5.4 Climate characteristics

Usage temperature: +5°C to +45°C

Storage temperature: 0°C to +45°C

6. CARE

Clean the surface with a cloth.

Do not use acetone, tar-removing cleaning agents or trichloroethylene.

Resistant to the following products: Hexane, methylated spirit, soapy water, diluted ammonia, bleach diluted to 10%, window-cleaning products, pre-impregnated wipes.

Caution: Always test before using other special cleaning products.

The product must not be painted.

7. STANDARDS AND APPROVALS

Compliant with installation and manufacturing standards.

See e-catalogue.

LEGRAND declares that the radio-electric equipment type (0 698 75L/ 95L) complies with directive 2014/53/EU.

The full text of the EU declaration of conformity is available on the following website: www.legrand.com/ecatalogue