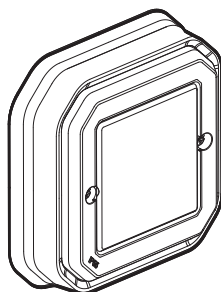


Plexo™ with Netatmo

Weatherproof connected ON/OFF wireless batteryless switch

Cat. No(s): 0 698 74L/84L/93L/94L



1. USE

Wireless batteryless switch for an ON/OFF lighting or connected power outlet function.

Only for controlling a "... with Netatmo" connected switch, lighting micromodule, cable outlet or power outlet.

Can be used as a two-way switch or to control a lighting group.

With its IP55 weatherproofing, this product can be used to control a light or electrical appliance in places where damp and dust can be an issue (garage, cellar, workshop, kitchen, etc) as well as outdoors (terrace, etc).

Fixes directly on a wall or on a piece of furniture (movable).

Can be used in conjunction with 20 connected lighting appliances.

2. RANGE

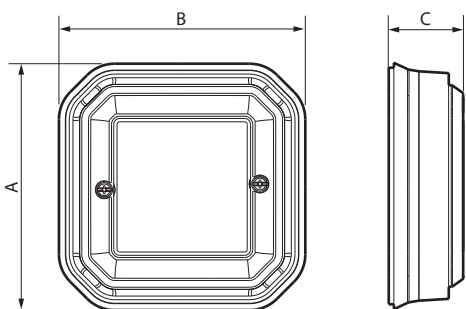
Wireless batteryless light switch, for an ON/OFF function.

Supplied complete with plate.

Equipped with a button (concealed) used to configure the product.

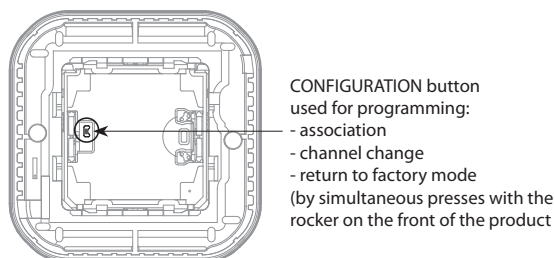
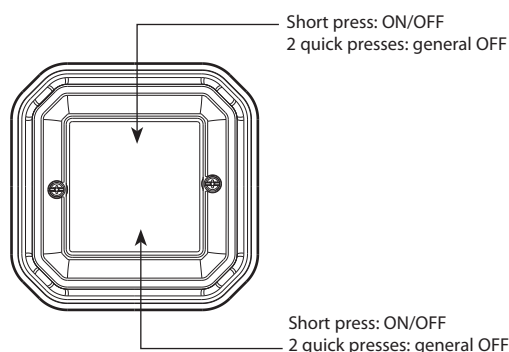
Grey	White	Sand	Anthracite
0 648 74L	0 648 84L	0 698 93L	0 698 94L

3. DIMENSIONS (mm)



A	B	C
85.5	85.5	26

4. OPERATION



NB: For information about programming this product, please see user manual **0 698 74L**.

5. TECHNICAL CHARACTERISTICS

■ 5.1 Mechanical characteristics

Protection against impacts: IK 08

Protection against solid bodies and liquids: IP 55

■ 5.2 Material characteristics

Base: ABS

Plate: ABS

Cassette holder and cassette: Fibreglass-reinforced (10%) PC

Cover plate: PP + SEBS

Rocker plate: White and Sand ABS

Grey and Anthracite painted ABS

Transparent membrane: SEBS

Halogen-free

UV-resistant

Self-extinguishing: 650°C/30 s

5. TECHNICAL CHARACTERISTICS *(continued)*

■ 5.3 Electrical characteristics

Wireless batteryless self-contained switch.

Radio zigbee technology: frequency 2.4 GHz to 2.4835 GHz

Radio performance: minimum range 150 m in unobstructed space, point to point.

Power level: < 20 mW

Default Zigbee channel: 11

■ 5.4 Climate characteristics

Usage temperature: + 5°C to + 45°C

Storage temperature: 0°C to + 45°C

6. CARE

Surface cleaning with a cloth

Do not use acetone, tar-removing cleaning agents or trichloroethylene.

Resistant to the following products: Hexane, methylated spirit, soapy water, diluted ammonia, bleach diluted to 10%, window-cleaning products, pre-impregnated wipes.

Caution: Always test before using special cleaning products.

The product must not be painted.

7. STANDARDS AND APPROVALS

Certified Zigbee technology, Green Power function.

IEEE 802.15.4 (LR-WPAN).

LEGRAND declares that the radio-electric equipment type (0 698 74L/84L/93L/94L) complies with directive 2014/53/EU.

The full text of the EU declaration of conformity is available on the following website: www.legrandoc.com

Compliant with installation and manufacturing standards.

See e-catalogue. .