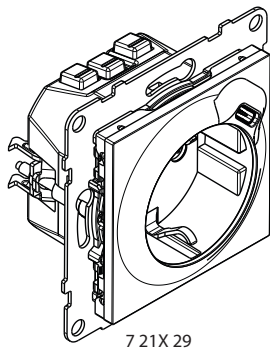
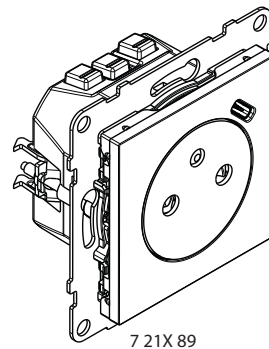


Suno™
2 P+E USB Type-C mixed socket outlet
German/French Standard

Cat. No(s): 7 21X 29, 7 21X 89



7 21X 29



7 21X 89

1. USE

2 P+E socket outlets with shutter system.

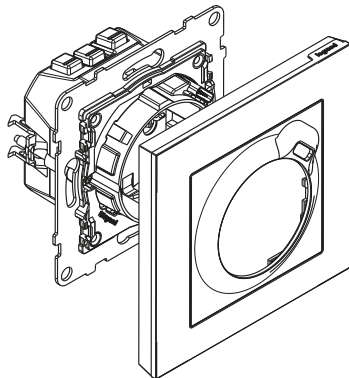
USB Type C socket: for recharging portable devices such as phones, smartphones, tablets, MP3, MP4, loudspeakers, watches, game consoles, powerbanks.

Recessed mounting in box depth 40 mm min. Fixing with screws and/or claws.

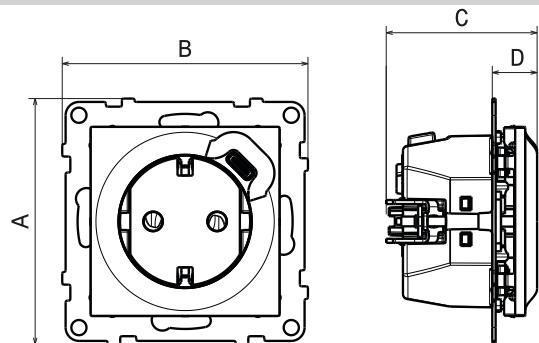
2. RANGE

Description	White	Ivory	Aluminum	Black
COMBINED SOCKET 2P+E SCHUKO STANDARD AUTO TERMINALS SHUTTERED + USB TYPE C	7 211 29	7 212 29	7 213 29	7 214 29
COMBINED SOCKET 2P+E FRENCH STANDARD AUTO TERMINALS SHUTTERED + USB TYPE C	7 211 89	-	7 213 89	7 214 89

3. DISMANTLING



4. DIMENSIONS (mm)



References	A	B	C	D
7 21X 29	72,9	72,9	44,8	13,3
7 21X 89	72,9	72,9	41,6	10,15

5. CONNECTION

■ 5.1 2 P+E socket outlet

Type of terminals: automatics
Terminal capacity: 6 x 2.5 mm²
Stripping length: 11 mm
Flexible or rigid cables compatible

■ 5.2 Type C USB socket

Prewired socket

6. TECHNICAL CHARACTERISTICS

■ 6.1 Mechanical characteristics

Protection against impact: IK 04
Protection against solid bodies and liquids: IP 20

■ 6.2 Material characteristics:

Mechanism casing: PC

Colour molded:

- White RAL 9003
- Ivory RAL 1013

Matt colour painted:

- Aluminum RAL 9023
- Black RAL 9017

Material:

- Halogen-free
- UV-resistant

Support: -Metal

Claws: - Steel

Self-extinguishing:

850°C/30 s for insulating components holding live parts in place
650°C/30 s for other insulating components

■ 6.3 Electrical characteristics 2 P+E socket

Voltage: 250 V~
Current: 16 A
Frequency: 50/60 Hz

■ 6.4 Electrical characteristics USB socket

Integrated surge protection

All values listed below are measured at an ambient temperature of + 20° and after 30 minutes of operation.

Nominal input voltage	100-240 V~
Nominal input frequency	50/60 Hz
Nominal output voltage	5.0 V=
Nominal input current	0.2 A
Maximum output current Type-C	1.5 A
Power consumption	7.5 W
Average efficiency in active	82%
Stand-by power consumption	< 0.07 W
Consumption class without load and average level of efficiency: Level VI*	
Protection class	II - Low voltage

*Note: European Regulation No. 278/2009 of 6 April 2009, Directive 2009/125/EC on eco-design requirements for AC/DC power supplies.

Note: To optimize the charging time of your device, ensure turn it off during the charging phase.

7. MAINTENANCE

Surface cleaning with a cloth.

Do not use:

Acetone, tar remover, trichloroethylene.

Maintenance with the following products:

Hexane (EN 60669-1), Methylated spirit, Soapy water, Diluted ammonia, Bleach diluted to 10%, Window-cleaning products.

Caution: Always test before using other special cleaning products.

8. STANDARDS AND APPROVALS

Compliant with installation and manufacturing standards.
See e-catalogue.