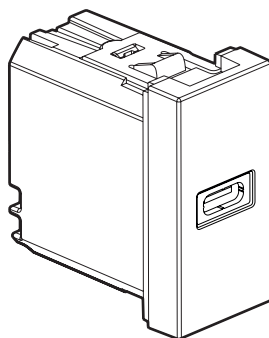


Mosaic™ USB Type-C charger - 20 W - Power Delivery

Cat. No(s): 0 776 90L/91L/92L



1. USE

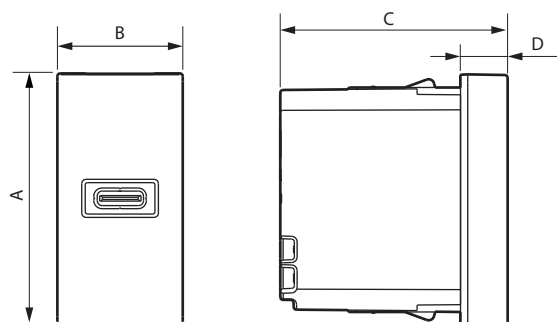
Tablets, smartphones.
Optimizes the charging speed of Power Delivery terminals.

USB Power Delivery is the new fast charging technology built into iOS/Apple and Android/Google devices.
Technology enabling a faster charging level than conventional technologies, operating via an exchange between the terminal and the charger.

2. RANGE

20 W USB charger	White	Alu	Black
1 USB Type-C (1 output Type-C) 1 module	0 776 90L	0 776 91L	0 776 92L

3. DIMENSIONS (mm)



A	B	C	D
45	22.5	41	8.5

4. CONNECTION

Type of terminals: with screws
Terminal capacity: 1 x 2.5 mm² - 2 x 1.5 mm²
Stripping length: 6 mm
Screwdriver: flat 3.5 mm
Circuit Breaker: MAX. 16 A

Necessary safety precautions:



**Switch OFF the power at the main circuit breaker.
Make sure that the power is OFF before continuing
with the installation.**

5. TECHNICAL CHARACTERISTICS

■ 5.1 Mechanical characteristics

Impact tests: IK 04
Penetration by solid bodies and liquids: IP 40

■ 5.2 Material characteristics

Base: PC V-0 class
Cover-plate: painted PC V-0 class

Self-extinguishing:

850°C/30 s for insulating components holding live parts in place.
650°C/30 s for other insulating components.

■ 5.3 Climate characteristics

Storage temperature: - 20°C to + 70°C
Usage temperature: +5°C to + 40°C

■ 5.4 Electrical characteristics

All values listed below are measured at an ambient temperature of + 20° and after 30 minutes of operation.

Nominal input voltage	100-240 V~
Nominal input frequency	50/60 Hz
Nominal input current	0.5 A
Max. nominal output current	3.0 A (*)
Max. output power	20.0 W
Nominal output voltage	5.0 V _{DC} (*)
Average efficiency in active mode	86 %
Stand-by power consumption	< 0.05 W
Consumption class without load and average level of efficiency: Level VI*	
Protection class	II - Low voltage

Nota: European Regulation No. 278/2009 of 6 April 2009, Directive 2009/125/EC on eco-design requirements for AC/DC power supplies.

(*) Optimise/voltage:

5.0 V _{DC} →	3.0 A - 15 W
9.0 V _{DC} →	2.2 A - 20 W
12.0 V _{DC} →	1.6 A - 20 W

Note : To optimize the charging time of your device, ensure turn it off during the charging phase.

6. CLEANING

Surface cleaning with a cloth.

Do not use: acetone, tar remover, trichlorethylene.

Caution: Always test before using other special cleaning products

7. STANDARDS AND APPROVALS

Power Delivery certified product: open standard for fast charging via an exchange between the terminal and the charger.

Compliance with installation and manufacturing standards.

Refer to e-catalogue.