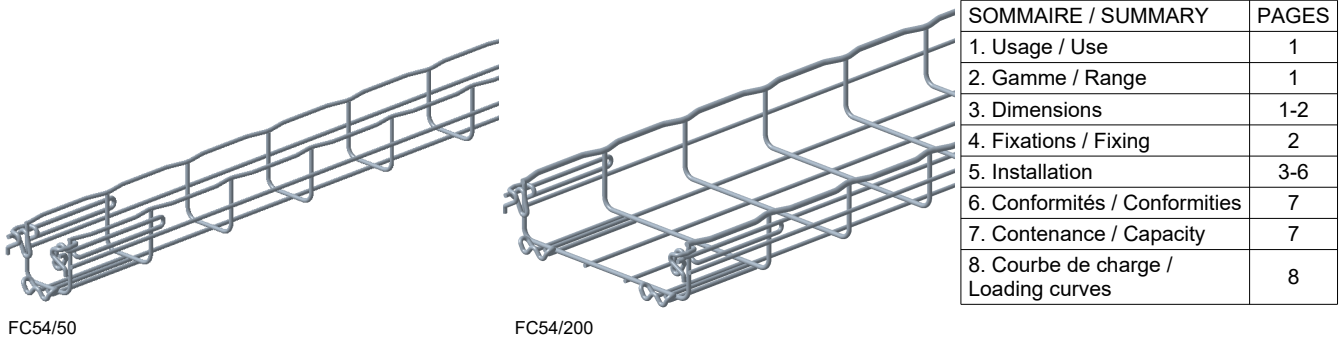


FC 54

Reference(s) : 200 061/064/066/068/071/074/076/078
200 081/084/086/088/091/094/096/098
200 101/104/106/108/201/204/206/208
200 251/254/256/258/301/304/306/308
200 401/404/406/408



FC54/50

FC54/200

SOMMAIRE / SUMMARY	PAGES
1. Usage / Use	1
2. Gamme / Range	1
3. Dimensions	1-2
4. Fixations / Fixing	2
5. Installation	3-6
6. Conformités / Conformities	7
7. Contenance / Capacity	7
8. Courbe de charge / Loading curves	8

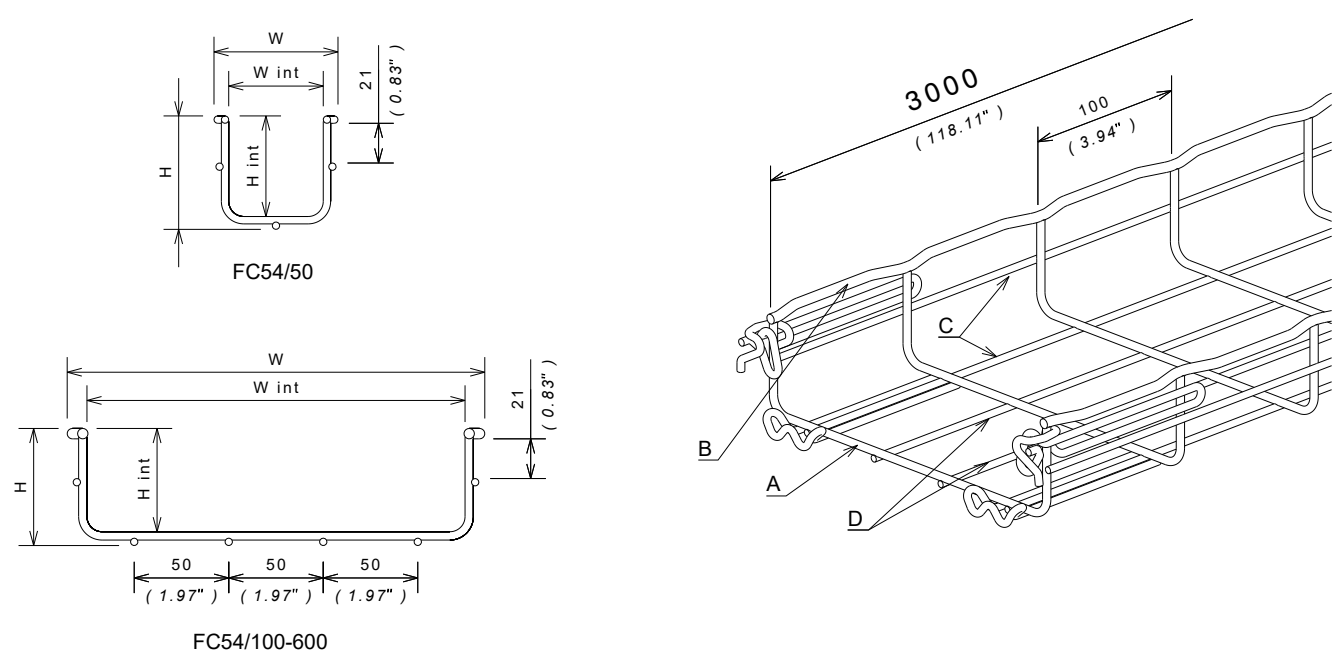
1. USAGE / USE

Chemin de câbles en fils d'acier soudés pré-éclissés/ Pre-coupled steel wire cable tray.

2. GAMME / RANGE

Designation	W int		EZ		HR		IN304L / SS304L		IN316L / SS316L	
	(mm)	(inch)	CODE	Poids / Weight (Kg) (lb)	CODE	Poids / Weight (Kg) (lb)	CODE	Poids / Weight (Kg) (lb)	CODE	Poids / Weight (Kg) (lb)
FC54/50	50	1.97	200 061	1.898 4.184	200 066	1.898 4.184	200 068	1.880 4.144	200 064	1.880 4.144
FC54/100	100	3.94	200 071	2.337 5.152	200 076	2.337 5.152	200 078	2.315 5.104	200 074	2.315 5.104
FC54/150	150	5.91	200 081	3.142 6.926	200 086	3.142 6.926	200 088	2.751 5.985	200 084	2.751 5.985
FC54/200	200	7.87	200 091	4.048 8.924	200 096	4.048 8.924	200 098	3.593 7.921	200 094	3.593 7.921
FC54/300	300	11.81	200 101	6.162 13.584	200 106	6.162 13.584	200 108	5.277 11.633	200 104	5.277 11.633
FC54/400	400	15.75	200 201	9.181 20.240	200 206	9.181 20.240	200 208	7.056 15.555	200 204	7.056 15.555
FC54/450	450	17.72	200 251	9.813 21.633	200 256	9.813 21.633	200 258	8.706 19.193	200 254	8.706 19.193
FC54/500	500	16.69	200 301	10.445 23.027	200 306	10.445 23.027	200 308	9.288 20.476	200 304	9.288 20.476
FC54/600	600	23.62	200 401	11.710 25.816	200 406	11.710 25.816	200 408	10.451 23.040	200 404	10.451 23.040

3. DIMENSIONS (mm/inch)



■ 3.1 Finition / Material finish : EZ / HR

Designation	Capacité / Capacity (mm ²)	A (Ø)		B (Ø)		C (Ø)		D (Ø)		W int		W		H int		H	
		(mm)	(inch)	(mm)	(inch)	(mm)	(inch)	(mm)	(inch)	(mm)	(inch)	(mm)	(inch)	(mm)	(inch)	(mm)	(inch)
FC54/50	2 558	3.9	0.15	3.9	0.15	3.9	0.15	-	-	50.0	1.97	65.6	2.58	51.7	2.04	58.5	2.30
FC54/100	5 143	3.9	0.15	3.9	0.15	3.9	0.15	-	-	100.0	3.94	115.6	4.55	51.7	2.04	58.5	2.30
FC54/150	7 713	4.4	0.17	4.4	0.17	3.9	0.15	3.9	0.15	150.0	5.91	167.6	6.60	51.6	2.03	58.9	2.32
FC54/200	10 293	4.4	0.17	5.5	0.22	3.9	0.15	3.9	0.15	200.0	7.87	220.9	8.70	51.6	2.03	58.9	2.32
FC54/300	15 453	4.4	0.17	5.5	0.22	5.5	0.22	3.9	0.15	300.0	11.81	320.9	12.63	51.6	2.03	60.6	2.39
FC54/400	20 413	5.9	0.23	5.9	0.23	5.9	0.23	3.9	0.15	400.0	15.75	423.6	16.68	51.1	2.01	62.0	2.44
FC54/450	22 968	5.9	0.23	5.9	0.23	5.9	0.23	3.9	0.15	450.0	17.72	473.6	18.65	51.1	2.01	62.0	2.44
FC54/500	25 523	5.9	0.23	5.9	0.23	5.9	0.23	3.9	0.15	500.0	19.69	523.6	20.61	51.1	2.01	62.0	2.44
FC54/600	30 633	5.9	0.23	5.9	0.23	5.9	0.23	3.9	0.15	600.0	23.62	623.6	24.55	51.1	2.01	62.0	2.44

■ 3.2 Finition / material finish : IN316L / SS316L



Designation	Capacité / Capacity (mm ²)	A (Ø)		B (Ø)		C (Ø)		D (Ø)		W int		W		H int		H	
		(mm)	(inch)	(mm)	(inch)	(mm)	(inch)	(mm)	(inch)	(mm)	(inch)	(mm)	(inch)	(mm)	(inch)	(mm)	(inch)
FC54/50	2 558	3.9	0.15	3.9	0.15	3.9	0.15	-	-	50.0	1.97	65.6	2.58	51.7	2.04	58.7	2.31
FC54/100	5 143	3.9	0.15	3.9	0.15	3.9	0.15	-	-	100.0	3.94	115.6	4.55	51.7	2.04	58.7	2.31
FC54/150	7 728	3.9	0.15	3.9	0.15	3.9	0.15	3.9	0.15	150.0	5.91	165.6	6.52	51.7	2.04	58.7	2.31
FC54/200	10 293	4.4	0.17	4.4	0.17	3.9	0.15	3.9	0.15	200.0	7.87	217.6	8.57	51.6	2.03	58.9	2.32
FC54/300	15 453	4.4	0.17	5.5	0.22	4.4	0.17	3.9	0.15	300.0	11.81	320.9	12.63	51.6	2.03	59.4	2.34
FC54/400	20 613	4.4	0.17	5.5	0.22	5.5	0.22	3.9	0.15	400.0	15.75	420.9	16.57	51.6	2.03	60.6	2.39
FC54/450	22 968	5.5	0.22	5.5	0.22	5.5	0.22	3.9	0.15	450.0	17.72	470.9	18.54	51.1	2.01	61.2	2.41
FC54/500	25 523	5.5	0.22	5.5	0.22	5.5	0.22	3.9	0.15	500.0	19.69	520.9	20.51	51.1	2.01	61.2	2.41
FC54/600	30 633	5.5	0.22	5.5	0.22	5.5	0.22	3.9	0.15	600.0	23.62	620.9	24.44	51.1	2.01	61.2	2.41

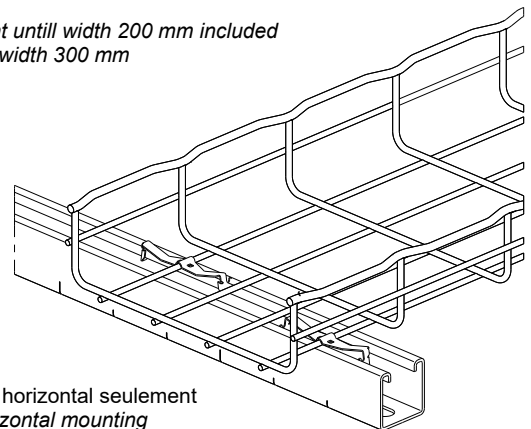
4. FIXATION (non incluse) / FIXING (not included)

■ 4.1 VIS / SCREW

- 1 point de fixation minimum jusqu'a la largeur 200 mm incluse / 1 minimum fixing point until width 200 mm included
- 2 points de fixation minimum à partir de la largeur 300 / 2 minimum fixing points from width 300 mm

■ 4.2 FS41

	100 → 300	400 → 600
	x2 mini	x3 mini



Montage horizontal seulement
 Only horizontal mounting

5. INSTALLATION



FC54/600



FC54/500



FC54/450



FC54/400



FC54/300



FC54/200



FC54/150

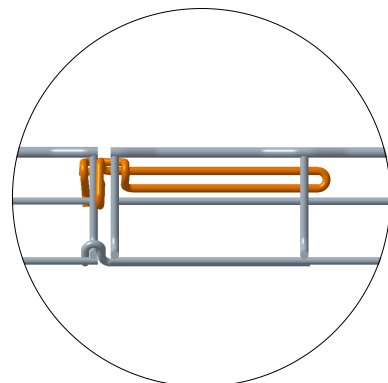
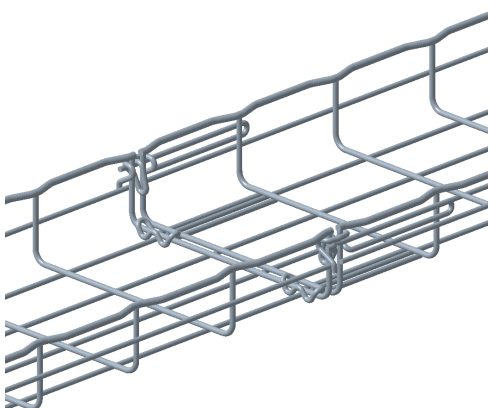
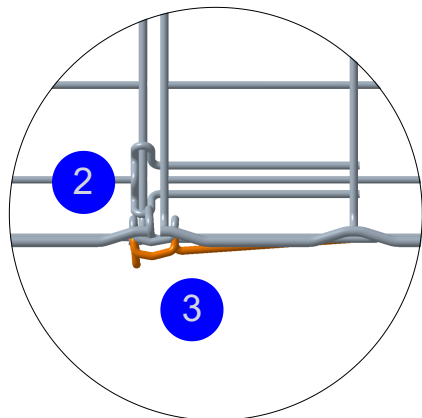
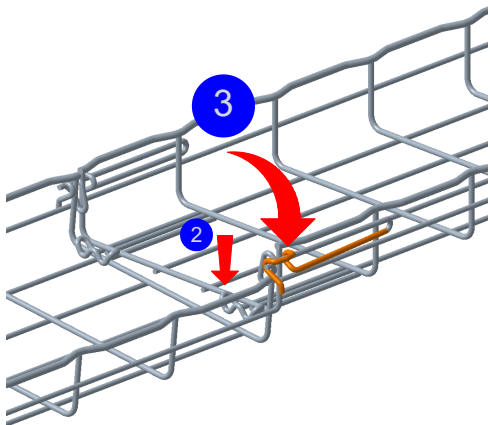
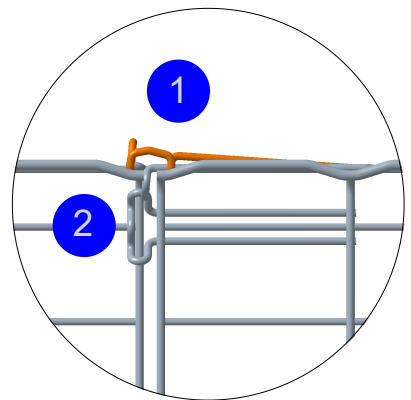
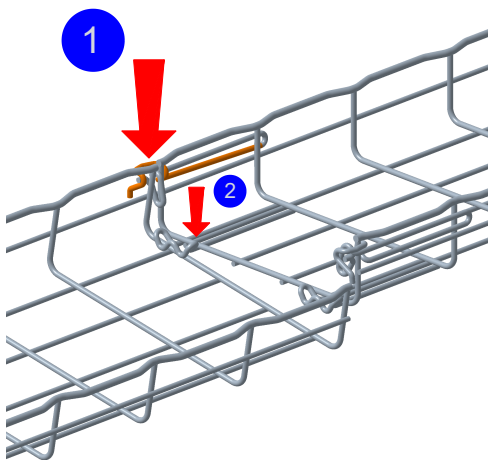
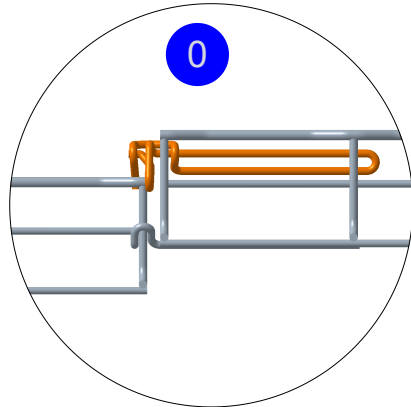
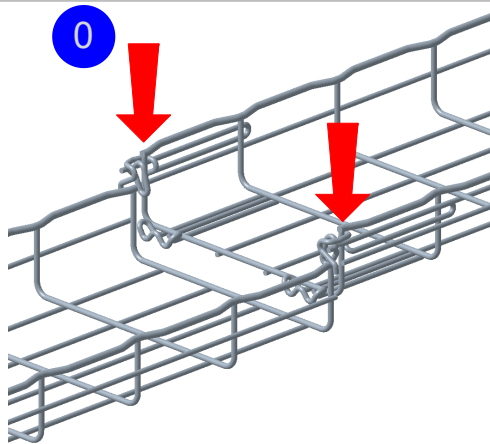


FC54/100

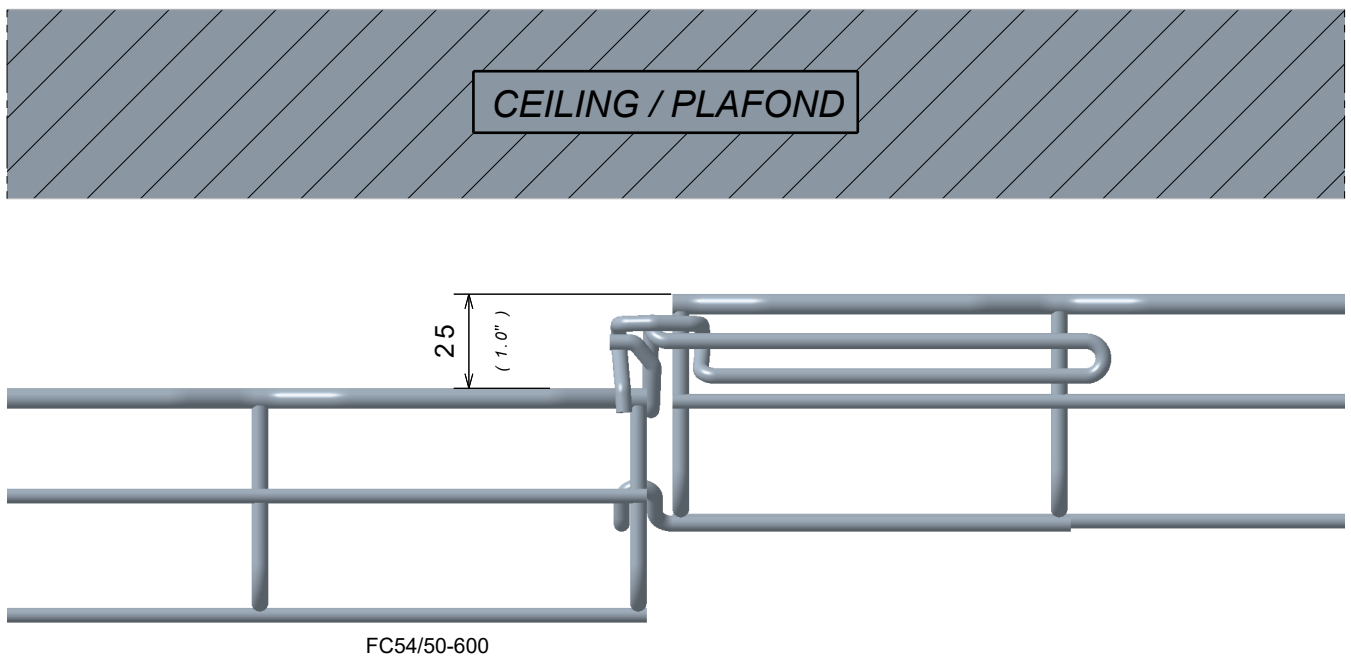
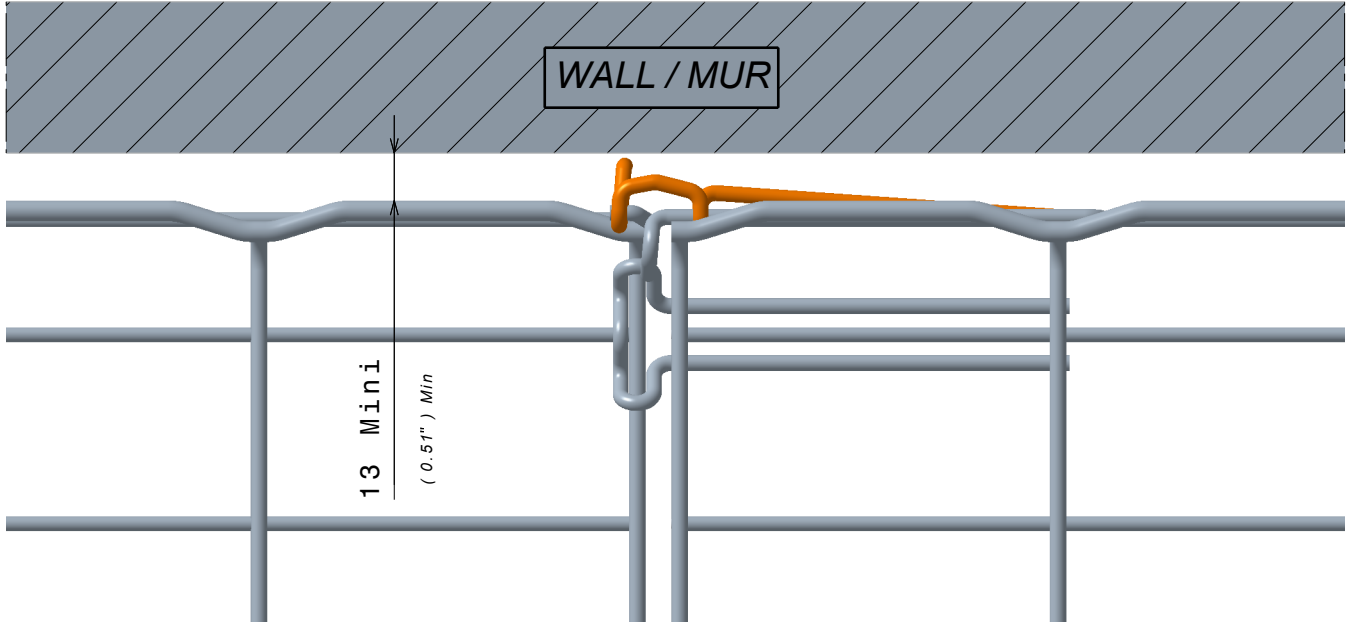


FC54/50

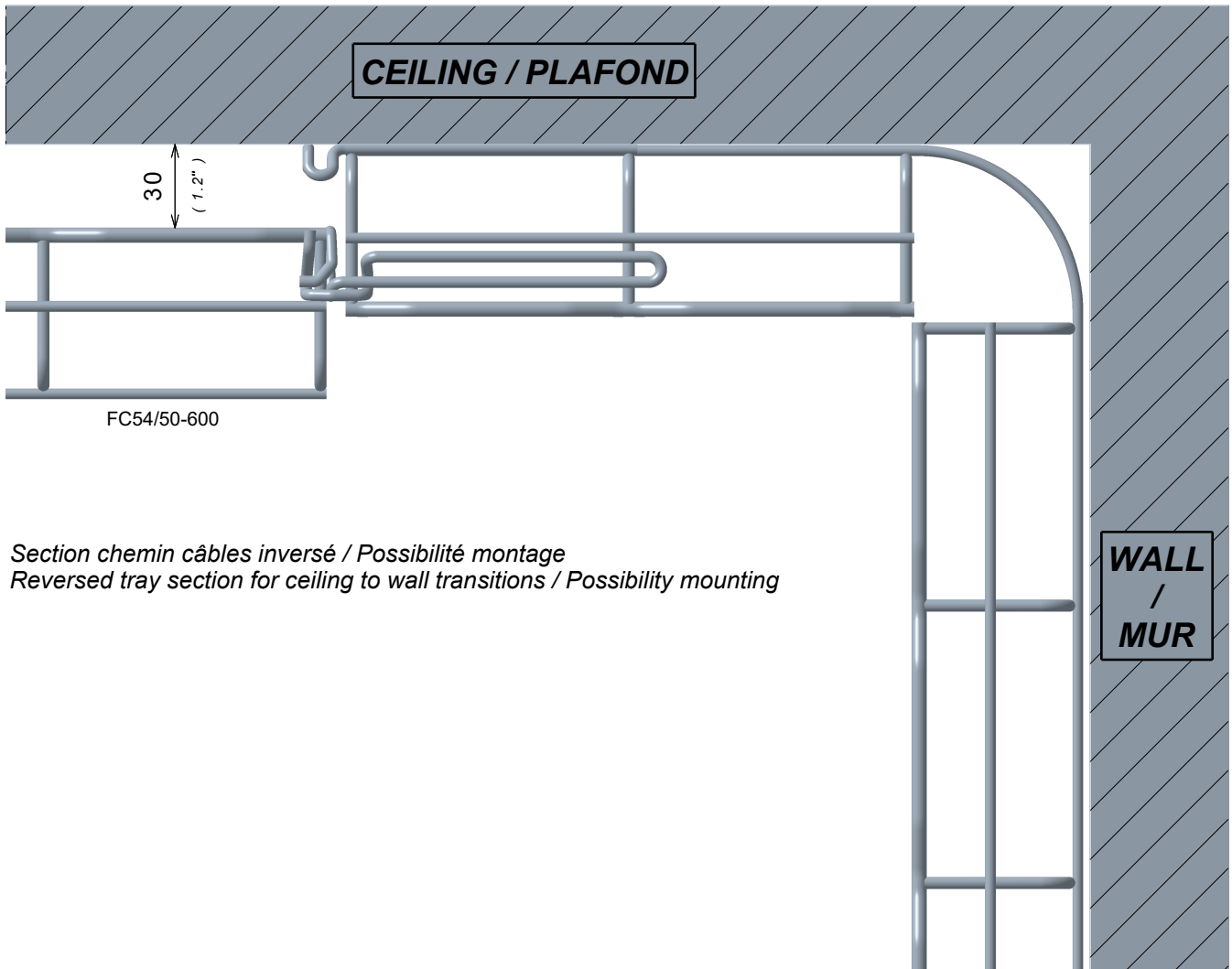
5. INSTALLATION (suite / cont.)



5. INSTALLATION (suite / cont.)

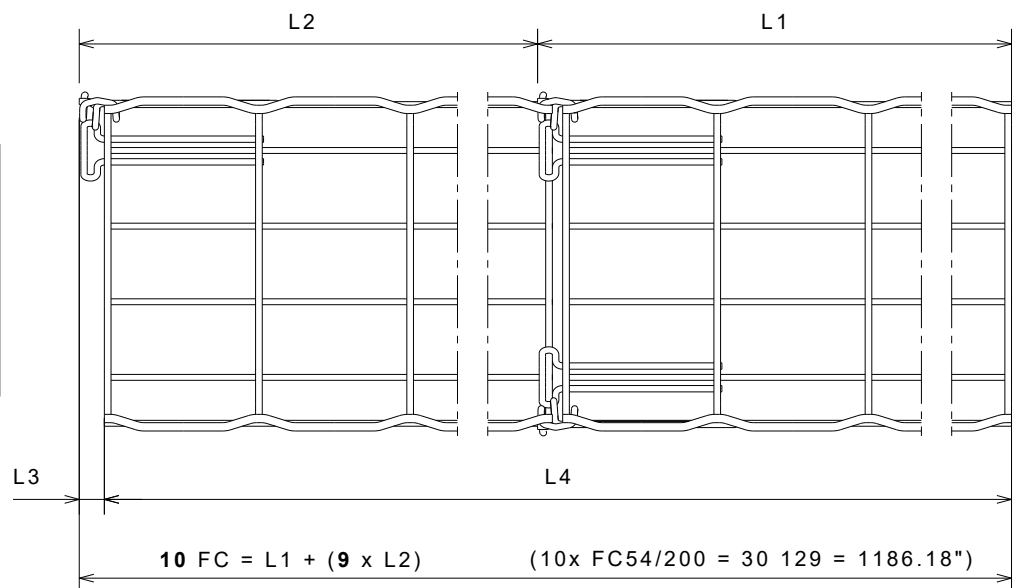


5. INSTALLATION (suite / cont.)



Section chemin câbles inversé / Possibilité montage
 Reversed tray section for ceiling to wall transitions / Possibility mounting

	←→ 50 -> 300mm		←→ 400 -> 600mm	
	(mm)	(inch)	(mm)	(inch)
L1	3021	118.9"	3025	119.09"
L2	3012	118.6"	3013	118.62"
L3	17	0.67"	19	0.74"
L4	6016	236.8"	6019	236.96"



6. CONFORMITES / CONFORMITIES

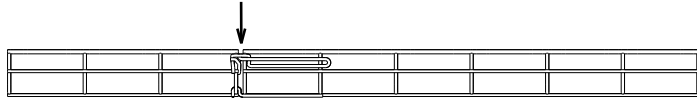
■ 6.1 Continuité électrique chemin de câbles / Cable tray electrical continuity

- Suivant CEI61537 / following IEC 61537

Conforme à CEI 61537-Système de chemin de câbles
Comply with IEC 61537-Cable tray systems

- Chemin de câbles éclissé / coupled cable tray
EZ/HR <5mΩ/m
304L/316L <10mΩ/m

- Chemin de câble éclissé chargé / coupled cable tray joint load
EZ/HR <1mΩ/m
304L/316L <5mΩ/m



■ 6.2 Caractéristiques matières / Material characteristics

Finition / Coating	Classe de résistance contre la corrosion / Resistance class against corrosion	Matière / Material	Norme matière / material Standard
EZ	Classe 3 - CEI 61537 / Class 3 - IEC 61537	C9D	EN ISO 16120-2
HR (ZnAl)	Classe 8 - CEI 61537 / Class 8 - IEC 61537	C9D	EN ISO 16120-2
IN304L / SS304L	Classe 9C - CEI 61537 / Class 9C - IEC 61537	X2 Cr Ni 18-9	EN 10 088-3
IN316L / SS316L	Classe 9D - CEI 61537 / Class 9D - IEC 61537	X2 Cr Ni Mo 17-12-2	EN 10 088-3

■ 6.3 Caractéristiques climatiques / climatic characteristics

Température de stockage et d'utilisation / storage and operating temperature : - 20° C à + 120° C

7. CONTENANCE / CAPACITY

Contenance en DaN/m = Poids indicatif des câbles lors d'un remplissage à 100% du Chemin de câbles
Capacity in DaN / m = Indicative weight of the cables when the cable tray is 100% filled

	CONTENANCE maximum / Maximum CAPACITY (DaN/m)	
	d=0.15 (VDI / DATA)	d=0.25 (Puissance / Power)
FC54/50	3.9	6.5
FC54/100	7.8	13
FC54/150	11.7	19.5
FC54/200	15.6	26
FC54/300	23.4	39
FC54/400	31.2	52
FC54/450	35.1	58.5
FC54/500	39	65
FC54/600	46.8	78

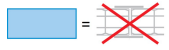
d = densité des câbles / cable density (kg/m/cm²)

1 kgf = 0,98 daN ≈ 1 daN

8. COURBE DE CHARGE / LOADING CURVES

■ 8.1 Essais sous CPS (Charge Pratique de Sécurité) / Test for SWL (Safe Working Load) :

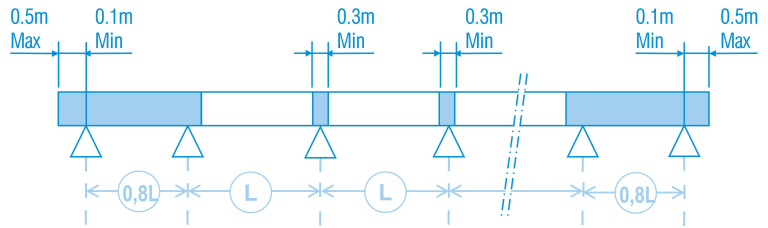
"Type II / CEI"



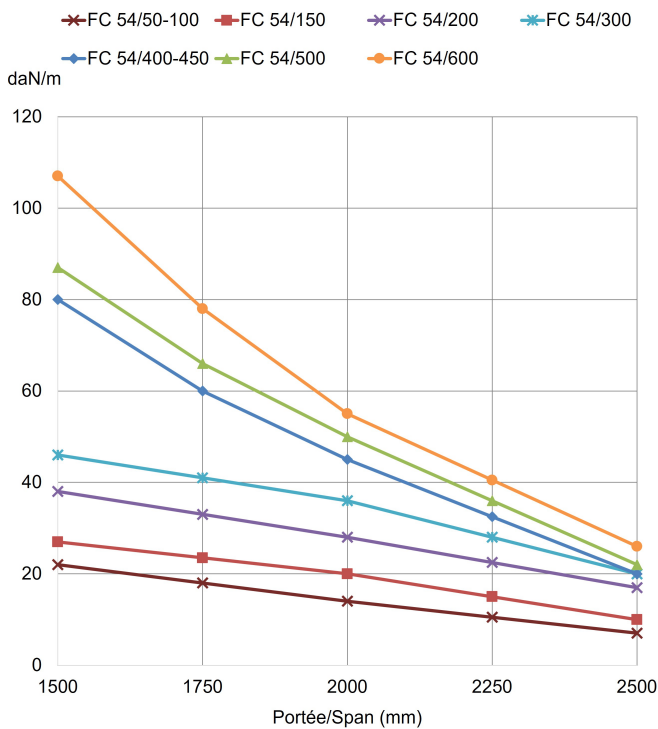
Pas d'éclisse / no joint



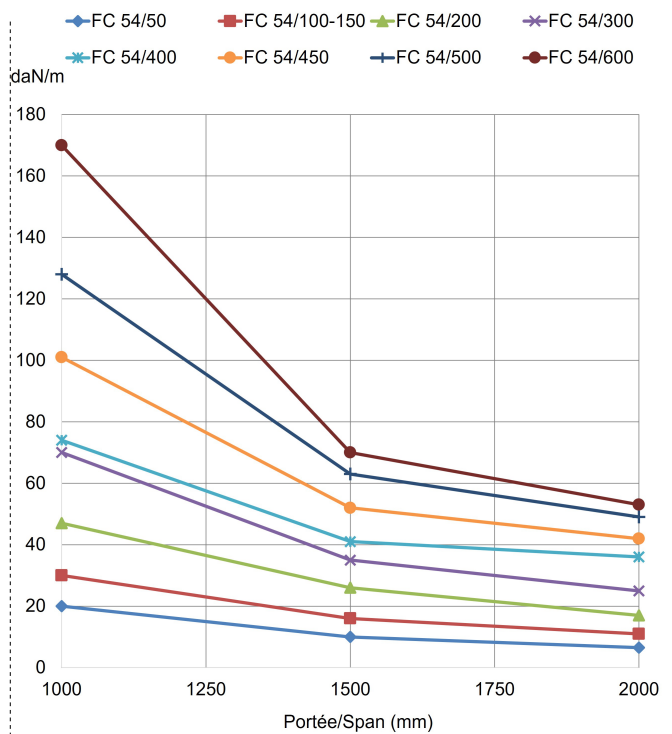
= Portée / span



EZ - HR



INOX / STAINLESS STEEL



Porté maximum en mm lors d'un remplissage à 100% du Chemin de câbles / Maximum span in mm when the cable tray is 100% filled

	Porté maximum / maximum span (mm)	
	d=0.15 (VDI / DATA)	d=0.25 (Puissance / Power)
FC 54/50	2800	2500
FC 54/100	2425	2050
FC 54/150	2425	2000
FC 54/200	2650	2050
FC 54/300	2400	1850
FC 54/400	2275	1850
FC 54/450	2200	1750
FC 54/500	2200	1750
FC 54/600	2150	1750

	Porté maximum / maximum span (mm)	
	d=0.15 (VDI / DATA)	d=0,25 (puissance / power)
FC 54/50	2350	2000
FC 54/100	2300	1800
FC 54/150	1900	1350
FC 54/200	2050	1500
FC 54/300	2050	1400
FC 54/400	2450	1300
FC 54/450	2350	1400
FC 54/500	2350	1450
FC 54/600	2150	1450