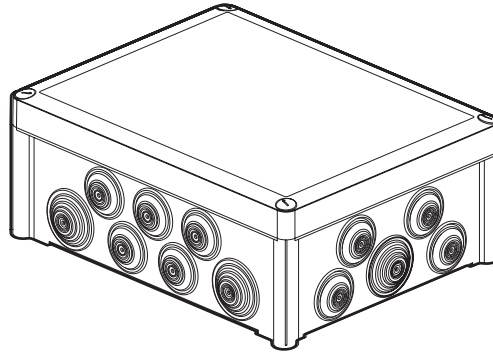


Plexo™ Rectangular junction box

Cat. No(s): 0 921 96



1. USE

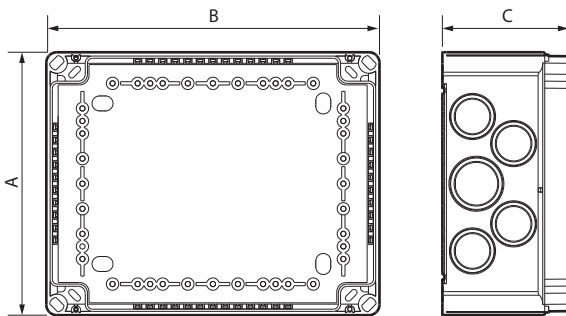
Rectangular weatherproof box with interchangeable membrane glands with direct entry for an IRL tube up to Ø 16 mm and R02V cables. Marked cut-out for IRL tubes Ø > 16 mm. Can be used as a junction box. Class II ensured by protective caps (supplied) for the fixing screws.

2. RANGE

Description	Grey
<ul style="list-style-type: none"> • Junction box with 24 entries • Ø cables and tubes accepted 4 to 40 mm • Cover closed with a 1/4 turn 	0 921 96

3. DIMENSIONS (mm)

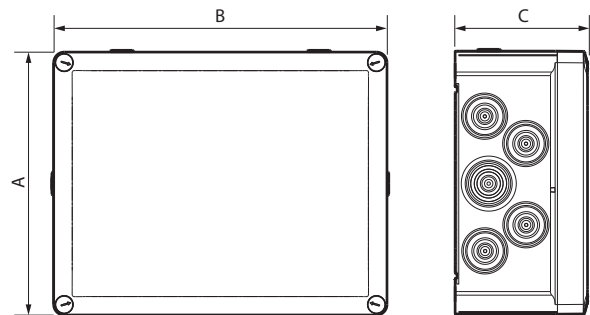
Inside the box



A	B	C
240	310	130

3. DIMENSIONS (mm) (continued)

Outside the box



A	B	C
262	332	132

4. TECHNICAL CHARACTERISTICS

■ 4.1 Mechanical characteristics

Protection against solid bodies and liquids: IP 55
 Impact tests: IK 07

■ 4.2 Material characteristics

Colour: Grey RAL 7035
 Box and cover material: PP (Polypropylene)
 Cover fixing screws: Polyamide
 Glands: Elastomer

Halogen-free
 UV-resistant
 Resistant to oil and grease

Self-extinguishing: 750°C/30 s

■ 4.3 Climate characteristics

Storage temperature: -25°C to +70°C
 Usage temperature: -25°C to +40°C

5. CLEANING

Surface cleaning with a cloth.
 Do not use: acetone, tar remover, trichloroethylene.

Caution: Always test before using other special cleaning products.

6. STANDARDS AND APPROVALS

Compliant with installation and manufacturing standards.
 See e-catalogue.