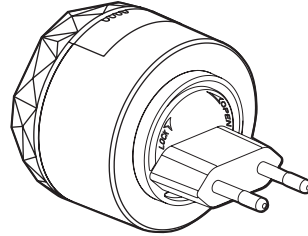
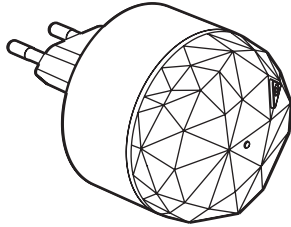


## Connected Mobile Gateway "with Netatmo"

Cat. No(s): 1 991 00



### 1. USE

Connected Mobile Gateway.

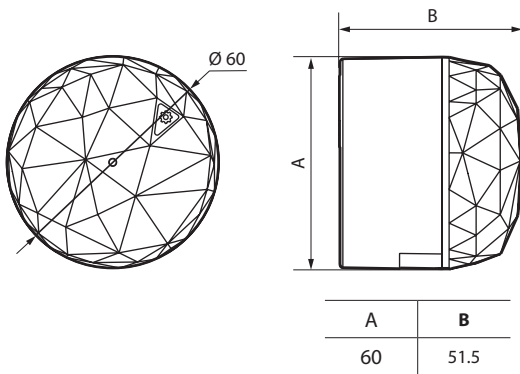
This product enables you to create a connected installation in your home. It allows remote control of connected lighting, electrical devices and sockets:

- using your smartphone and the Home + Control app,
- using voice assistants,
- from the scenes control.

### 2. RANGE

Description	Black
Connected Mobile Gateway with 2P plug Type C for plugging into a mobile or wall outlet. Equipped with an LED indicator and a configuration button.	1 991 00

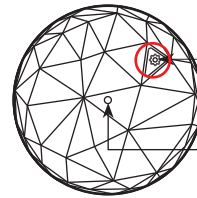
### 3. DIMENSIONS (mm)



### 4. CONNECTION

To plug directly into an outlet 2 P or 2 P+E Europlug Type C compatible.

### 5. OPERATION



Configuration button :  
used to return to factory settings and configuration

LED indicator:  
- useful during installation

### 6. TECHNICAL CHARACTERISTICS

#### ■ 6.1 Mechanical characteristics

Protection against impacts: IK 04  
 Protection against solid/bodies and liquids: IP 20

#### ■ 6.2 Material characteristics

Casing: ABS + PC  
 Colour: black

Halogen-free  
 UV-resistant

Self-extinguishing:  
 850°C/30 s for insulating components holding live parts in place.  
 650°C/30 s for other insulating components.

#### ■ 6.3 Electrical characteristics

**WiFi technology** 2.4 GHz (13 channels)

**ZigBee radio technology** frequency: 2.4 GHz to 2.4835 GHz  
 Power level: < 100 mW

Range: 200 m of unobstructed space  
 10 m recommended between products indoors

#### Fiche :

Current: 2.5 A  
 Voltage: 100 - 240 V~  
 Frequency: 50/60 Hz  
 Standby consumption: 5.6 mA

#### ■ 6.4 Climate characteristics

Storage temperature: 0°C to + 45°C  
 Usage temperature: +5°C to + 45°C

## 7. CARE

Clean the surface with a cloth.

Do not use acetone, tar-removing cleaning agents or trichloroethylene.

Resistant to the following products: Hexane (EN 60669-1), methylated spirit, soapy water, diluted ammonia, bleach diluted to 10%, window-cleaning products, pre-impregnated wipes.

**Caution:** Always test before using special cleaning products.

## 8. STANDARDS AND APPROVALS

Compliance with standards of installation and manufacturing.  
See e.catalogue.

The undersigned, LEGRAND, declares that the radio-electric equipment type (1 991 00) complies with directive 2014/53/EU.

The full text of the EU declaration of conformity is available on the following website: [www.legrandoc.com](http://www.legrandoc.com)