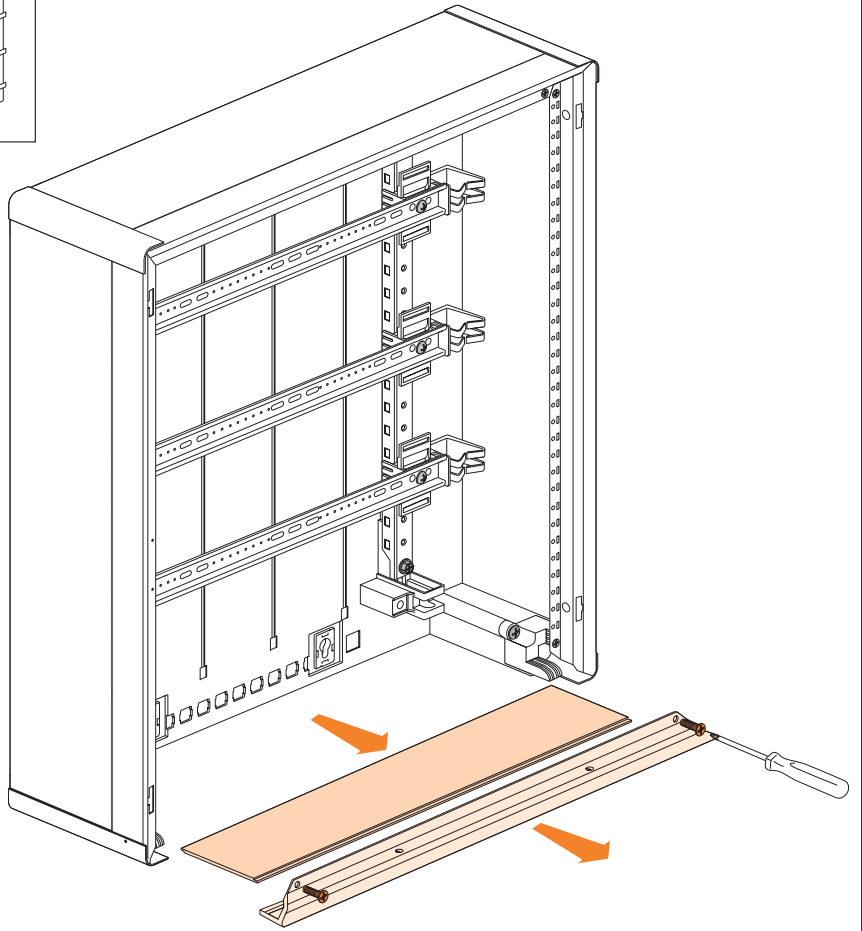
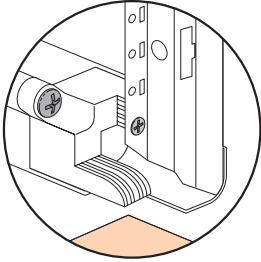
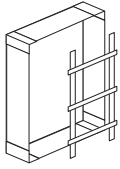
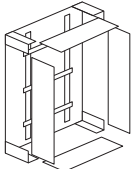
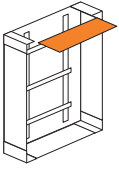
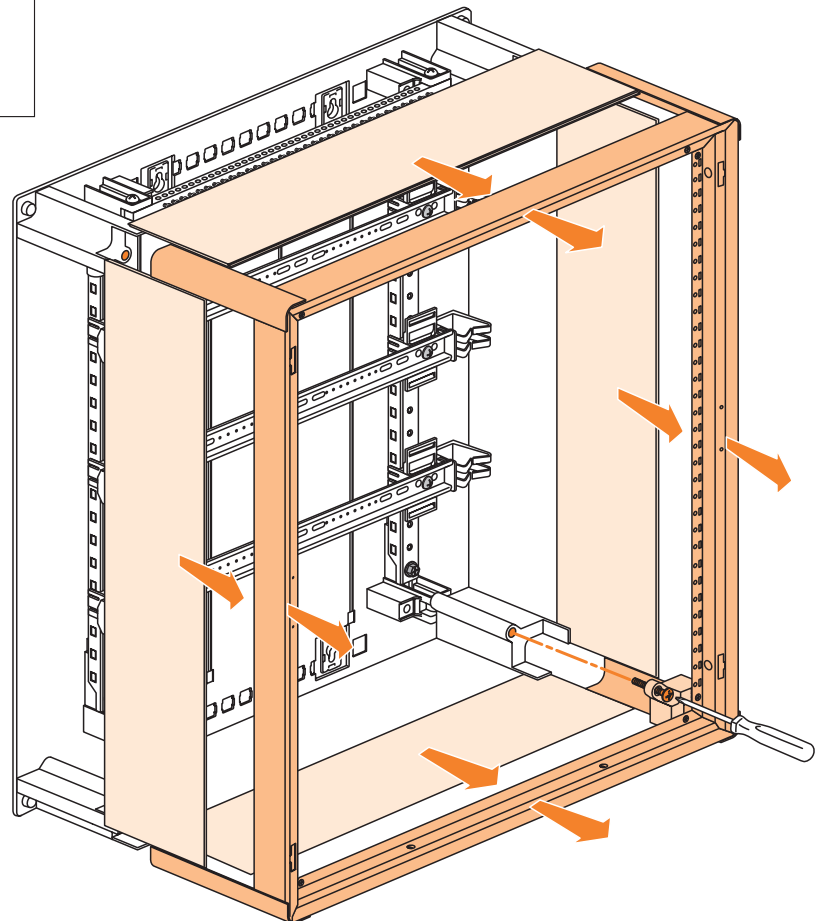
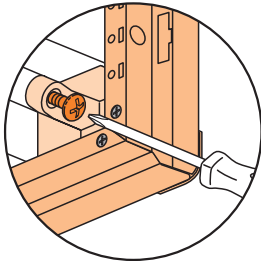
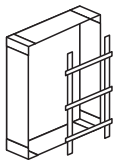
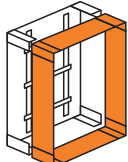
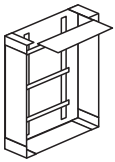


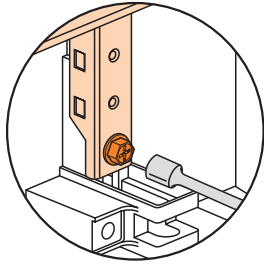
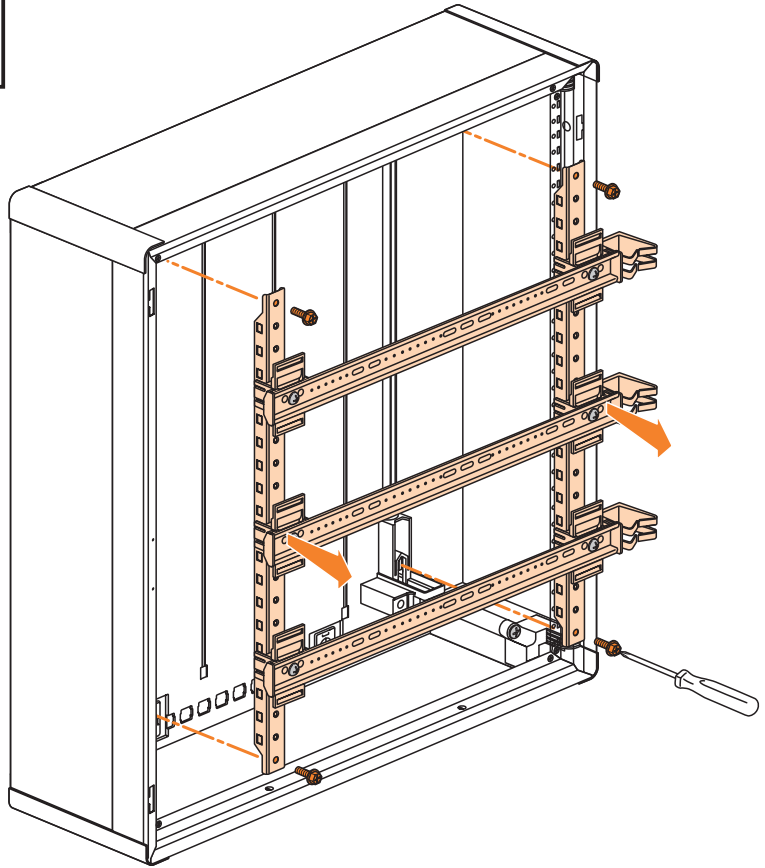
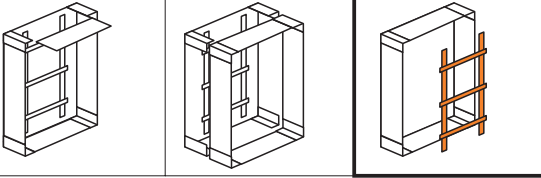
H (mm)	art.	H (mm)	art.
400	94520P		
550	94530P		
700	94540P		
850	94550P	850	94551P
1000	94560P	1000	94561P

2

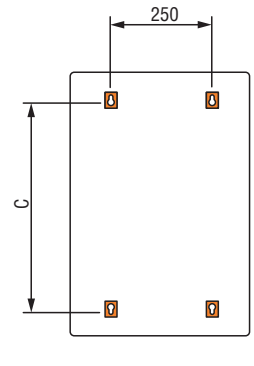
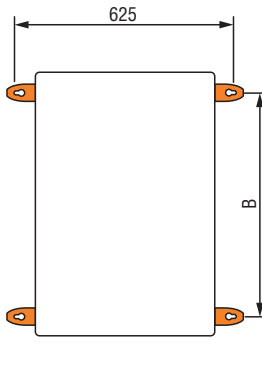
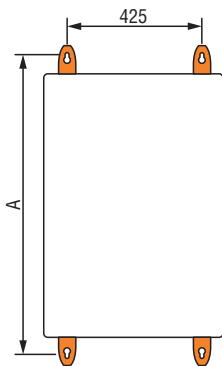
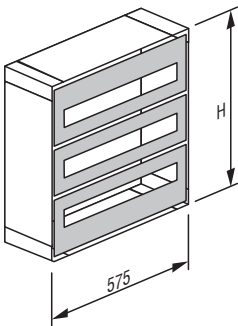
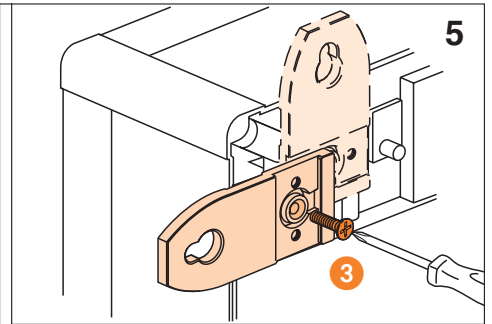
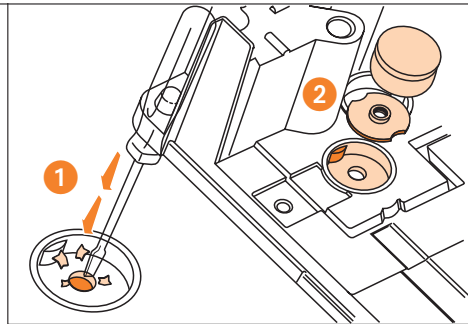
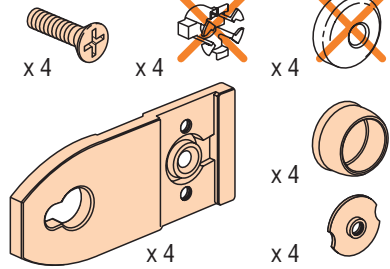


3

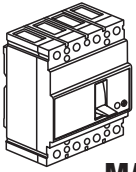




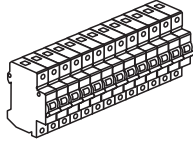
93000 FMPL



H (mm)	art.	A (mm)	B (mm)	C (mm)
400	94520P	500	305	343
550	94530P	650	455	493
700	94540P	800	605	643
850	94550P 94551P	950	755	793
1000	94560P 94561P	1100	905	943

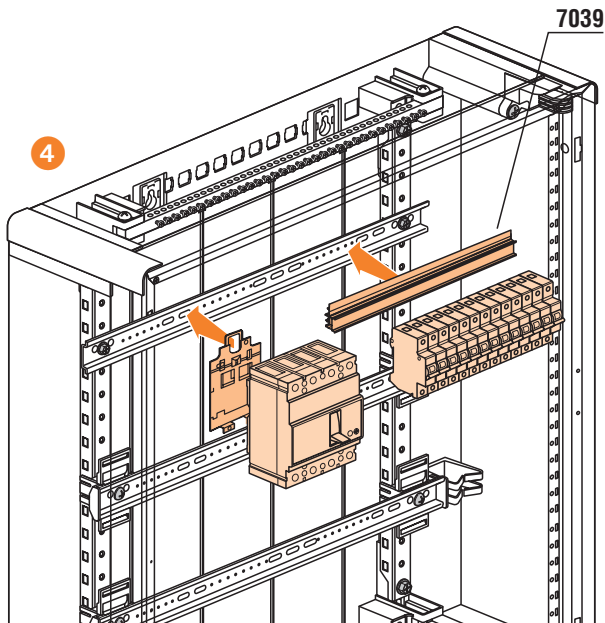
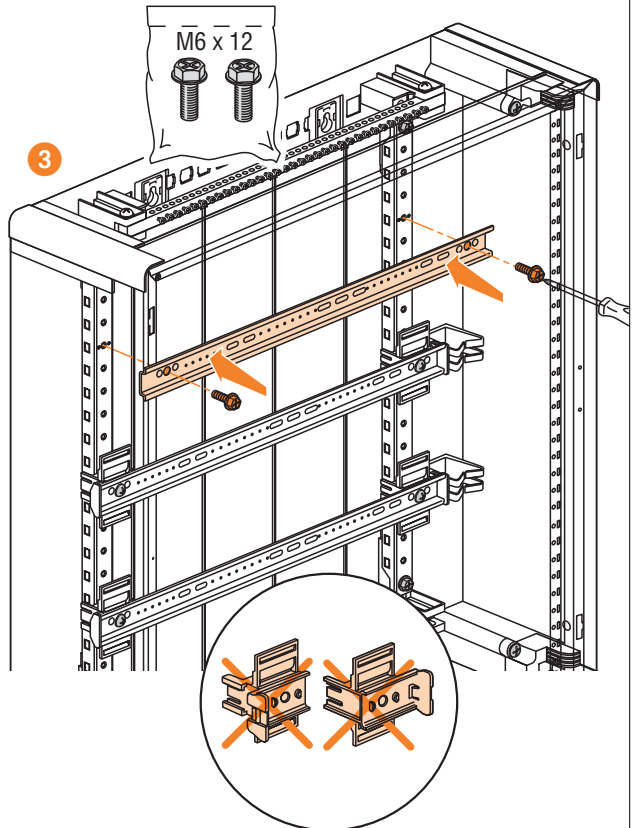
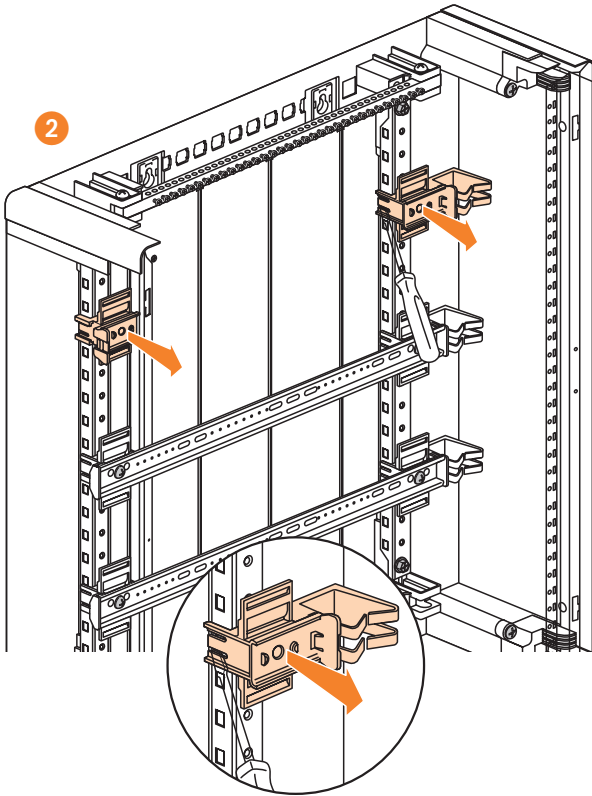
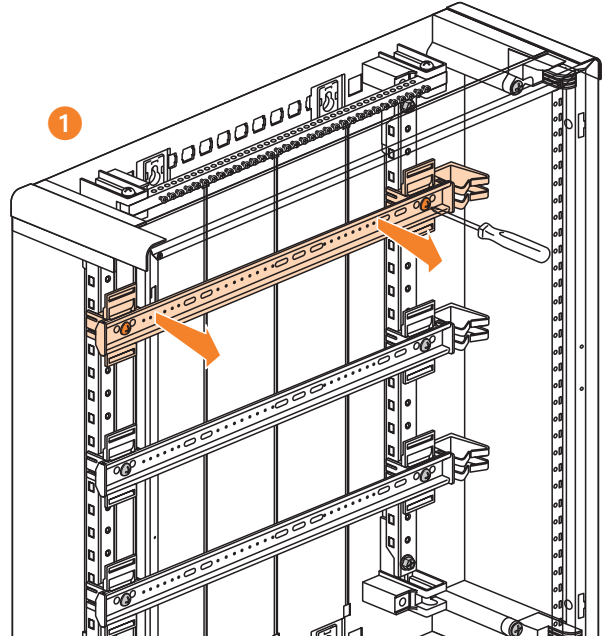


+



MA/ME/MS 125
ME/MS 160

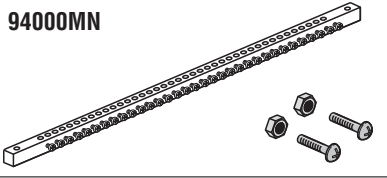
6



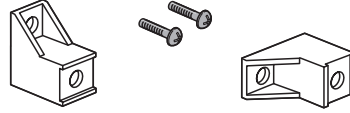
7039

M6 x 12

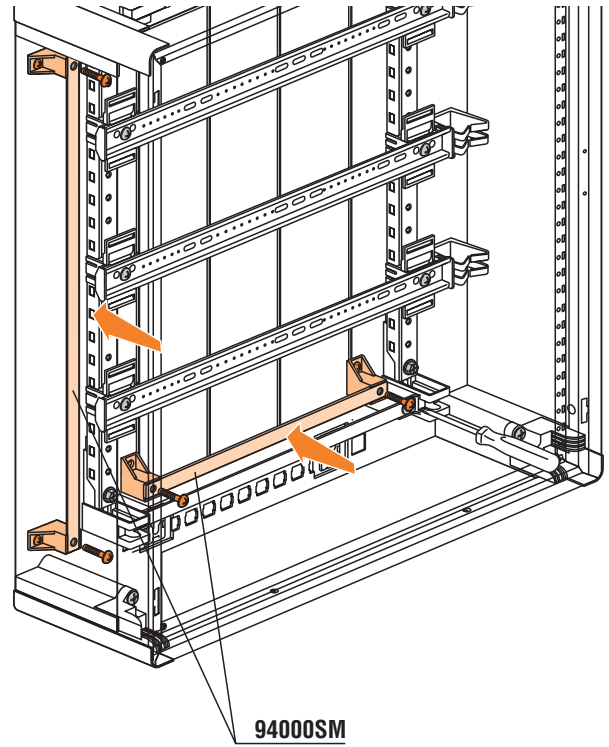
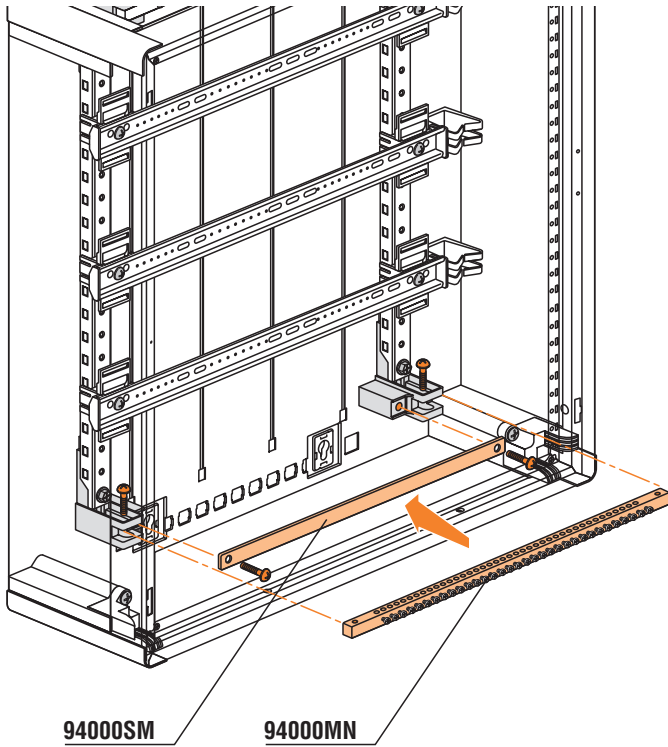
9400MN



9400SB



7



IP 30

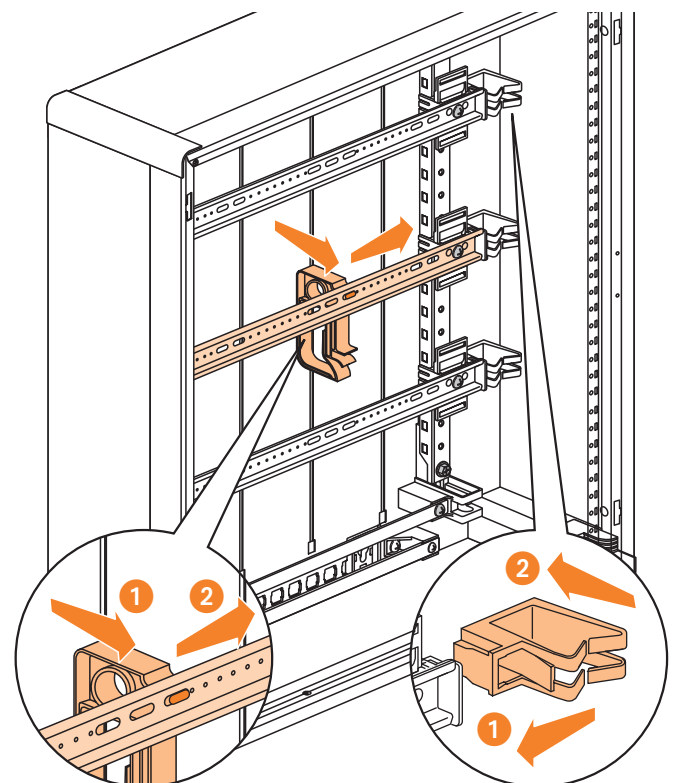
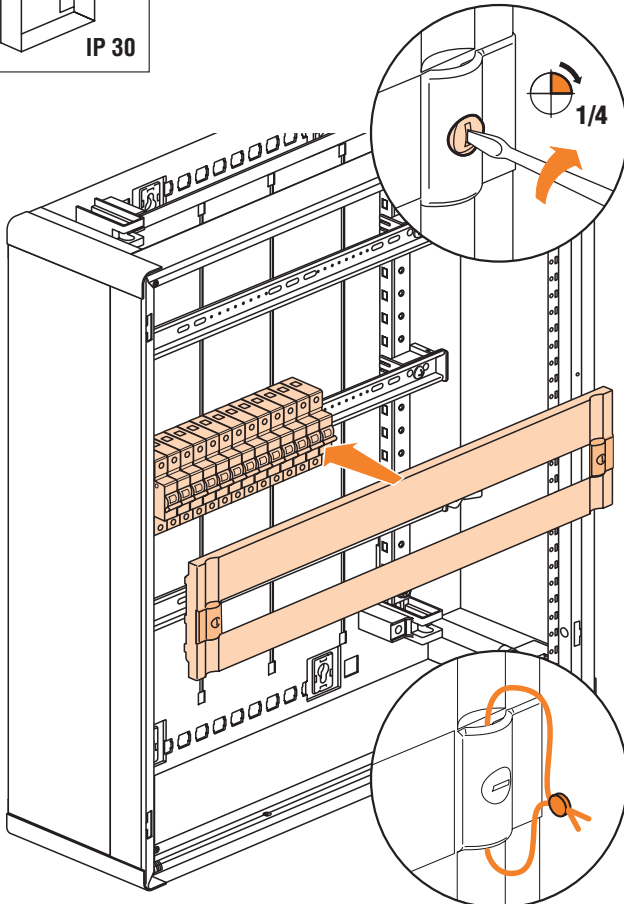
9400MO



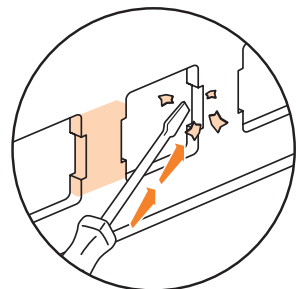
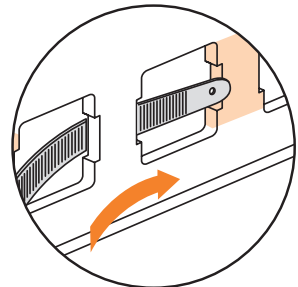
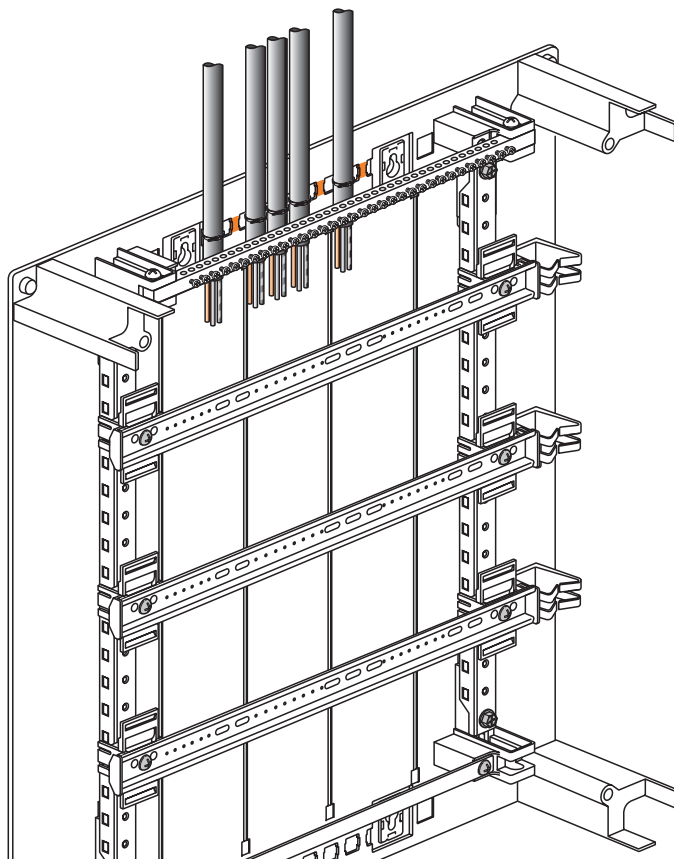
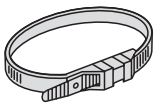
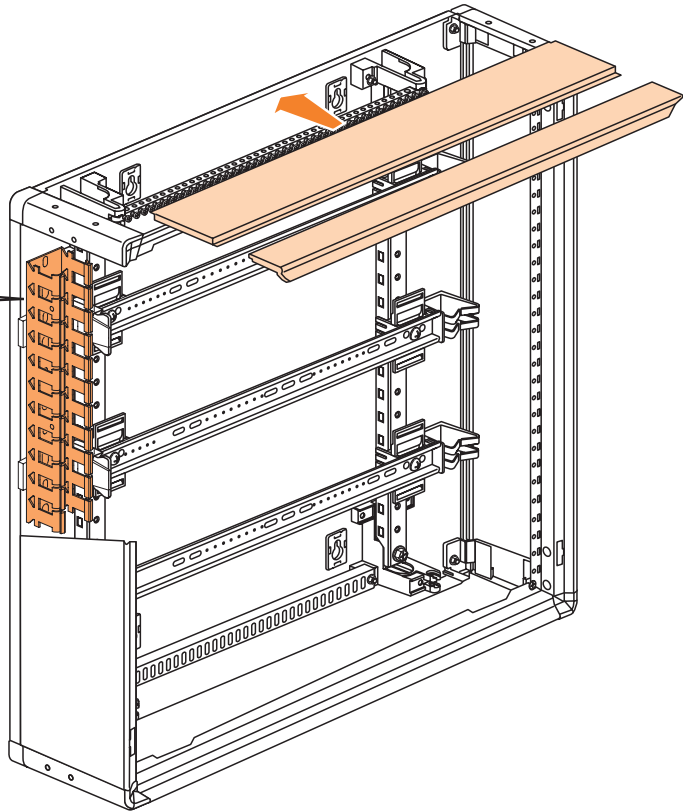
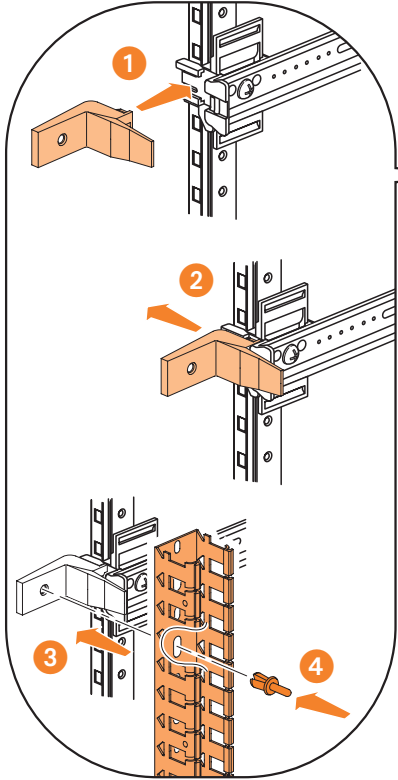
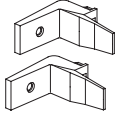
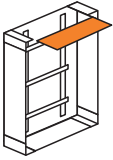
9400BV



8

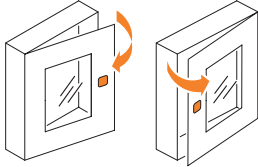


94000MV





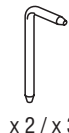
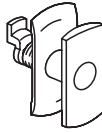
IP 40



x 2 / x 3



x 2 / x



x 2 / x 3



x 2 / x 3



x 2 / x 3



x 2

10

