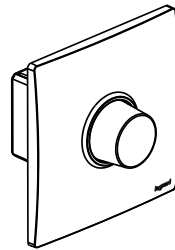


Mallia™ Senses Fan Control

Cat. No(s): 2 810 82 MW - 2 810 82 MG
2 810 82 MB - 2 810 82 DS
2 810 82 CH - 2 810 82 DB
2 810 82 BA - 2 810 82 BB
2 810 82 BC



2 810 82 XX

1. USE

Fan control.
(Supplied with M3.5 screws for Flush mounting or surface mounting BS boxes.)

2. RANGE

Designation	Cat. No.
100W 5 SPEEDS FAN CONTROL	2 810 82 XX

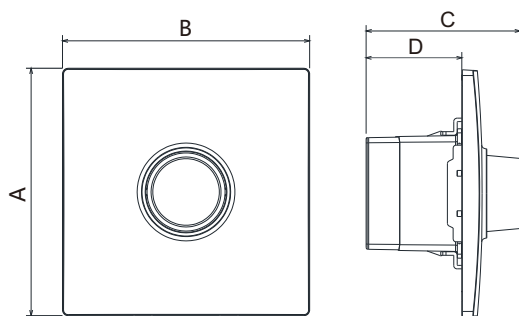
Colours

-Front: MW/MG/MB/DS/CH/DB/BA/BB/BC

-Rear: grey

2 81X XX MW	Matt White
2 81X XX MG	Matt Grey
2 81X XX MB	Matt Black
2 81X XX DS	Dark Silver
2 81X XX CH	Champagne
2 81X XX DB	Dark Bronze
2 81X XX BA	Brushed Aluminium
2 81X XX BB	Brushed Black
2 81X XX BC	Brushed Champagne

3. DIMENSIONS (mm)



References	A	B	C	D
2 810 82 XX	86	86	53.6	33.3

Minimum depth of the box \geq 40 mm

4. CONNECTION

4.1 Terminal

Types of terminals: with screws

Terminal capacity: 4 \times 1 mm²
3 \times 1.5 mm²
2 \times 2.5 mm²
1 \times 4 mm²

Recommended stripping length: 12 mm

Recommended screwdriver size: 4 mm flat blade

5. TECHNICAL CHARACTERISTICS

5.1 Material characteristics

Rocker/Plate: PC

Frame: Steel

Base: PC

Self-extinguishing:

+ 850°C / 30 s for insulating parts holding live parts in place
+ 650°C / 30 s for other parts made of insulating materials

5.2 Electrical characteristics

Voltage: 200 - 220V~

Frequency: 50/60Hz

5.3 Climatic characteristics

Storage temperatures: -10°C to +70°C

Operating temperatures: -5°C to +35°C

5.4 Mechanical characteristics

Impact test: IK04

Protection against solids & liquids: IP20

6. CLEANING

Surface cleaning with a soft, slightly damp cloth.

Do not use: acetone, tar remover, trichloroethylene.

7. CONFORMITY - APPROVALS

Conform to IEC 60669-2-1, EN 60669-2-1.