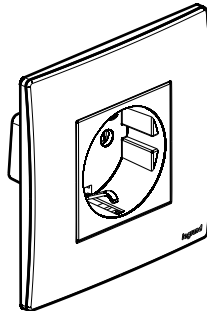


Mallia™ Senses German 16A 2P+E Socket

Cat. No(s): 2 811 26 MW - 2 811 26 MG - 2 811 26 MB
2 811 26 DS - 2 811 26 CH - 2 811 26 DB
2 811 26 BA - 2 811 26 BB - 2 811 26 BC



2 811 26 XX

1. USE

German standard socket outlets.
(Supplied with M3.5 screws for Flush mounting or surface mounting BS boxes.)

2. RANGE

Designation	Cat. No.
1G GERMAN 16A 2 POLES + EARTH SOCKET	2 811 26 XX

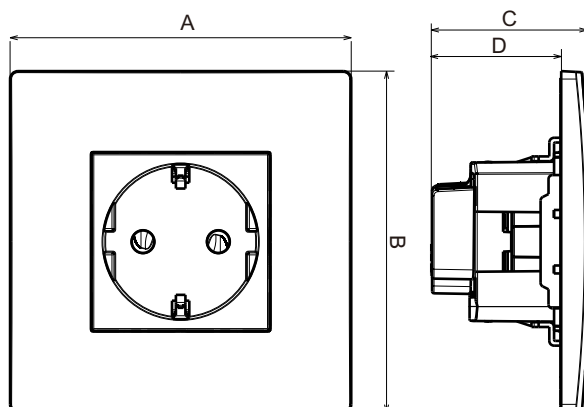
Colours

-Front: MW/MG/MB/DS/CH/DB/BA/BB/BC

-Rear: grey

2 811 26 MW	Matt White
2 811 26 MG	Matt Grey
2 811 26 MB	Matt Black
2 811 26 DS	Dark Silver
2 811 26 CH	Champagne
2 811 26 DB	Dark Bronze
2 811 26 BA	Brushed Aluminium
2 811 26 BB	Brushed Black
2 811 26 BC	Brushed Champagne

3. DIMENSIONS (mm)



References	A	B	C	D
2 811 26 XX	86	86	39.3	32.8

Minimum depth of the box ≥ 40 mm

4. CONNECTION

Types of terminals: with screws
Terminal capacity: 2 × 2.5 mm²
2 × 4 mm²
Recommended stripping length: 8 mm
Recommended screwdriver size: <4 mm flat blade

5. TECHNICAL CHARACTERISTICS

5.1 Material characteristics

Plate: PC
Frame: Steel
Base: PC
Self-extinguishing:
+ 850° C / 30 s for insulating parts holding live parts in place
+ 650° C / 30 s for other parts made of insulating materials

5.2 Electrical characteristics

Voltage: 250V~
Current: 16A

5.3 Climatic characteristics

Storage temperatures: -10°C to +70°C
Operating temperatures: -5°C to +50°C

5.4 Mechanical characteristics

Impact test: IK04
Protection against solids & liquids: IP20

6. CLEANING

Surface cleaning with a soft, slightly damp cloth.
Do not use: acetone, tar remover, trichloroethylene

7. CONFORMITY - APPROVALS

Conform to IEC60884-1.