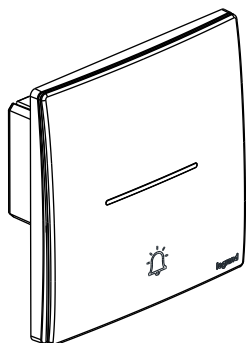
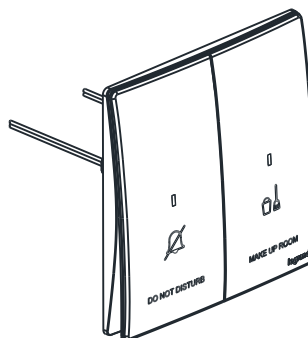


Mallia™ Senses Hotel Bedroom Control Units

Cat. No(s): 2 810 45/46 MW - 2 810 45/46 MG - 2 810 45/46 MB
2 810 45/46 DS - 2 810 45/46 CH - 2 810 45/46 DB
2 810 45/46 BA - 2 811 45/46 BB - 2 811 45/46 BC



2 810 45 XX



2 810 46 XX

1. USE

Hotel bedroom control units.
Enable the resident to inform hotel staff of the room status. Two settings are possible: "Do not disturb" or "Make up room".
(Supplied with M3.5 screws for Flush mounting or surface mounting BS boxes.)

2. RANGE

Designation	Cat. No.
1G DND/MUR/BELL PUSH BUTTON	2 810 45 XX
2G DND/MUR SWITCH	2 810 46 XX

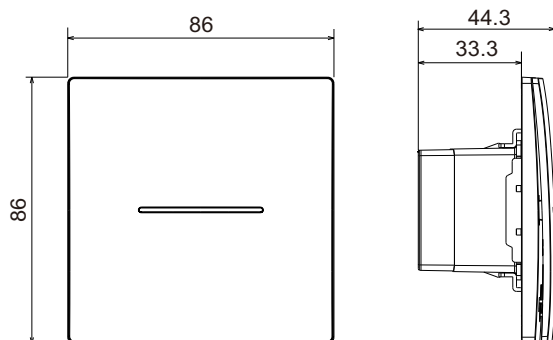
Colours

-Front: MW/MGMB/DS/CH/DB/BA/BB/BC

-Rear: Grey

2 810 XX MW	Matt White
2 810 XX MG	Matt Grey
2 810 XX MB	Matt Black
2 810 XX DS	Dark Silver
2 810 XX CH	Champagne
2 810 XX DB	Dark Bronze
2 810 XX BA	Brushed Aluminium
2 810 XX BB	Brushed Black
2 810 XX BC	Brushed Champagne

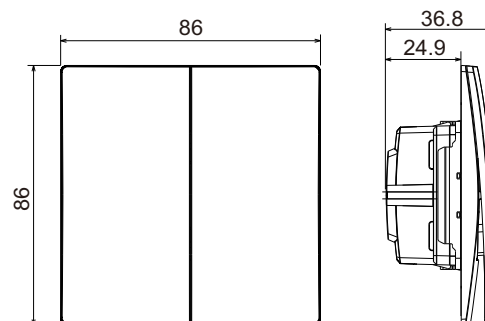
3. DIMENSIONS (mm)



2 810 45 XX

Minimum depth of the box ≥ 40 mm

3. DIMENSIONS (continued)



2 810 46 XX

4. CONNECTION

4.1 Terminals

Types of terminals: with screws

2 810 45 XX(1G DND/MUR/BELL PUSH BUTTON):

Terminal capacity: 3 X 1 mm²
3 X 1.5 mm²
2 X 2.5mm²
1 X 4 mm²

Recommended stripping length: 12 mm

Recommended screwdriver size: <4 mm flat blade

2 810 46 XX(2G DND/MUR SWITCH):

Terminal capacity: 3 X 1 mm²
3 X 1.5 mm²
2 X 2.5mm²
1 X 4 mm²

Recommended stripping length: 12 mm

Recommended screwdriver size: <4 mm flat blade

5. TECHNICAL CHARACTERISTICS

5.1 Material characteristics

Plate/Rocker: PC
Frame: Steel
Base: PC
Base cover: PP
Self-extinguishing:
+ 850° C / 30 s for insulating parts holding live parts in place
+ 650° C / 30 s for other parts made of insulating materials

5.2 Electrical characteristics

1G DND/MUR/BELL PUSH BUTTON(2 810 45 XX):
Voltage: 200 - 240V~
Frequency: 50/60Hz

Mallia™ Senses

Hotel Bedroom Control Units

Cat. No(s): 2 810 45/46 MW - 2 810 45/46 MG - 2 810 45/46 MB
2 810 45/46 DS - 2 810 45/46 CH - 2 810 45/46 DB
2 810 45/46 BA - 2 811 45/46 BB - 2 811 45/46 BC

2G DND/MUR Switch(2 810 46 XX): 250V~ 16AX

5.3 Climatic characteristics

Storage temperatures: -10°C to +70°C

Operating temperatures: -5°C to +50°C

5.4 Mechanical characteristics

Impact test: IK04

Protection against solids & liquids: IP20

6. CLEANING

Surface cleaning with a soft, slightly damp cloth.

Do not use: acetone, tar remover, trichloroethylene

7. CONFORMITY - APPROVALS

2 810 45 XX(1G DND/MUR/BELL PUSH BUTTON):

Conform to IEC 60669-2-1.

2 810 46 XX(2G DND/MUR SWITCH):

Conform to IEC 60669-1.