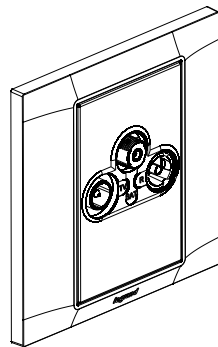


Belanko™ S TV - R - SAT

Cat. No(s): 6 17X 32



6 17X 32

CONTENTS

1. Use.....	1
2. Range.....	1
3. Preparation.....	1
4. Overall dimensions.....	1
5. Connection.....	1
6. Technical characteristics.....	2
7. Cleaning.....	2
8. Conformity - Approvals.....	2

1. USE

TV/R/SAT: for receiving TV, radio and satellite signals.
UHD (ultra high definition) compatible.
Class A shielded star sockets LTE Ready (4G protected).
Recommended coaxial cable 17/19 VATC.
Single cable entry.
(Supplied with M3.5 screws for BS boxes. Flush mounting or surface mounting.)

2. RANGE

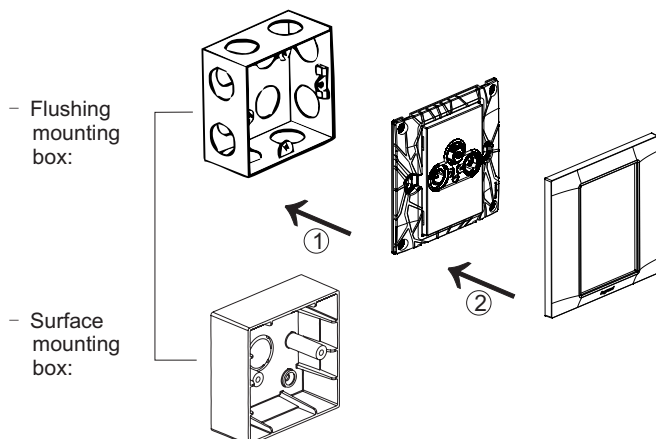
	Designation	Cat. No.	Weight(g)
	TV - R- SAT	6 17X 32	106

Colours

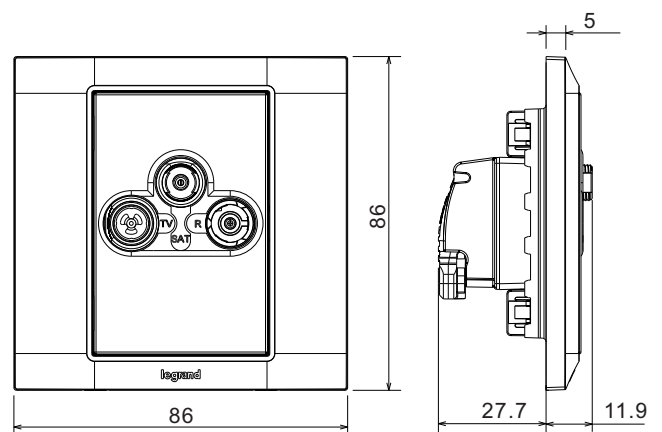
- Front: white/anthracite/ivory
- Rear: white
- 6 176 XX White
- 6 177 XX Anthracite
- 6 178 XX Ivory

3. PREPARATION

3.1 General preparation



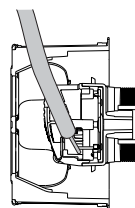
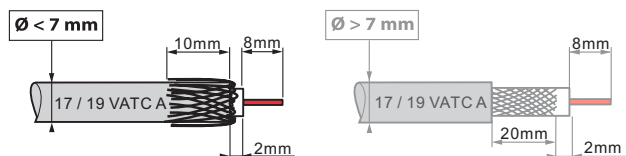
4. OVERALL DIMENSIONS



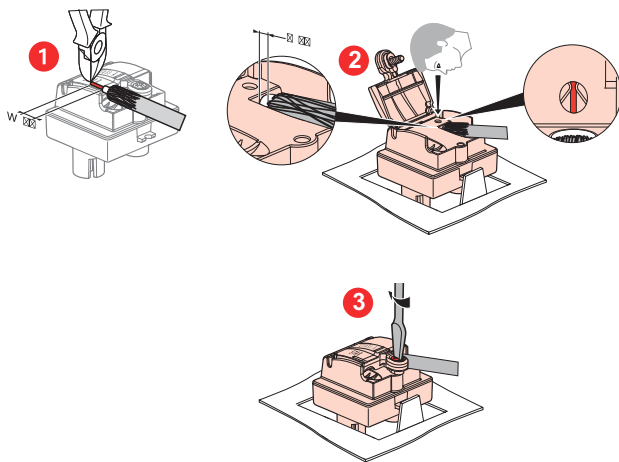
Profile Size: 86×86 mm
Distance of installation hole: 60.3 mm
Minimum depth of the box>35mm

5. CONNECTION

5.1 Wiring



By restricting deformation of the coaxial cable, the rear connection avoids impedance discontinuity, thereby sustaining performance.



6. TECHNICAL CHARACTERISTICS

6.1 Material characteristics

Cover: ABS

Plate: Polycarbonate

Frame: Polycarbonate

Self-extinguishing:

+ 850° C / 30 s for insulating parts holding live parts in place

+ 650° C / 30 s for other parts made of insulating materials

6.2 Electrical characteristic

- Male connector Φ 9.52 mm (TV)

- Female connector (Radio)

- Female F screw-type connector (SAT)

Characteristic impedance: 75 ohm

Class A shielding efficiency (class A shielding is necessary to prevent interference

caused by using new 3 and 4 G phone signals, as these unwanted signals can result in pixellation on screen or adversely affect the sound track).

Frequency bands: TV: 5-68 / 120-862 MHz

R: 87.5-108 MHz

SAT: 950-2400 MHz

Attenuation : < 1.5 dB maximum

6.3 Climatic characteristics

Storage temperatures: -10°C to +70°C

Operating temperatures: -5°C to +50°C

6.4 Mechanical characteristics

Impact test: IK04

Protection against liquids: IP20

7. CLEANING

Surface cleaning with a soft, slightly damp cloth.

Do not use: acetone, tar remover, trichloroethylene

8. CONFORMITY – APPROVALS

Compliant with installation and manufacturing standards.

See e-catalogue.