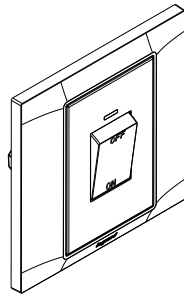


Belanko™ S 32A DP Switches

Cat. No(s): 6 17X 29



6 17X 29

CONTENTS

- 1. Use.....1
- 2. Range.....1
- 3. Preparation.....1
- 4. Overall dimensions.....2
- 5. Connection.....2
- 6. Technical characteristics.....3
- 7. Cleaning.....3
- 8. Conformity - Approvals.....3

1. USE

High capacity double pole switches for the control of fixed appliances eg. cooker ovens, shower or air-conditioning units, Version available with LED "power on" indicator.
(Supplied with M3.5 screws for BS boxes. Flush mounting or surface mounting.)

2. RANGE

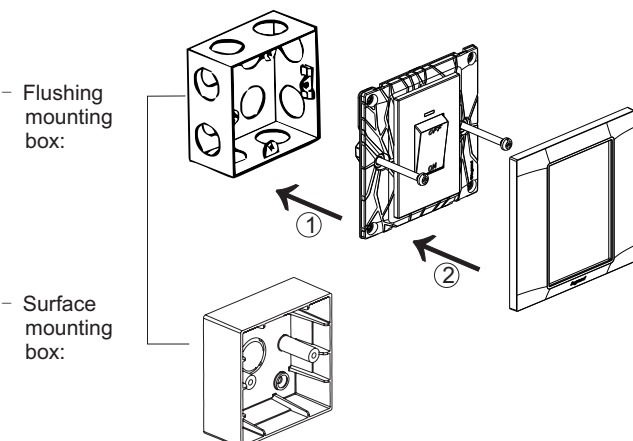
	Designation	Cat. No.	Weight(g)
	1G 32A DP SWITCH	6 17X 29	119

Colours

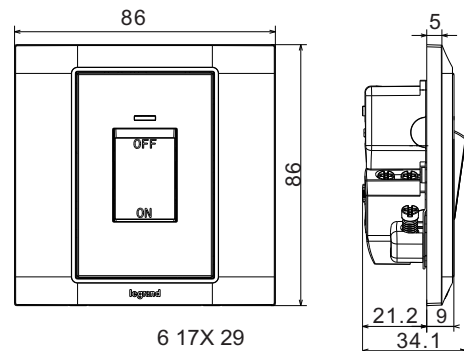
- Front: white/anthracite/ivory
- Rear: grey
- 6 176 29 White
- 6 177 29 Anthracite
- 6 178 29 Ivory

3. PREPARATION

3.1 General preparation



4. OVERALL DIMENSIONS



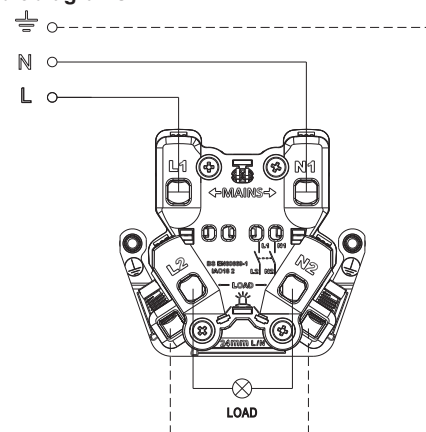
Profile Size: 86×86mm
Distance of installation hole: 60.3 mm
Minimum depth of the box>35 mm

5. CONNECTION

5.1 Terminals

Terminal capacity: 2 X 6 mm²
1 X 10 mm²
Recommended screwdriver size: <4 mm flat blade
Recommended stripping length: 8 mm
Recommended terminal tightening torque: 0.5Nm

5.2 Circuit diagrams



6. TECHNICAL CHARACTERISTICS

6.1 Material characteristics

Rocker: Polycarbonate

Frame: Polycarbonate

Base: PC

Self-extinguishing:

+ 850° C / 30 s for insulating parts holding live parts in place

+ 650° C / 30 s for other parts made of insulating materials

6.2 Electrical characteristics

Voltage: 250V~

Current: 32A

6.3 Climatic characteristics

Storage temperatures: -10°C to +70°C

Operating temperatures: -5°C to +50°C

6.4 Mechanical characteristics

Impact test: IK04

Protection against solids & liquids: IP20

7. CLEANING

Surface cleaning with a soft, slightly damp cloth.

Do not use: acetone, tar remover, trichloroethylene

8. CONFORMITY - APPROVALS

Conform to BS EN 60669-1 ; MS/IEC 60669-1; BS4177.