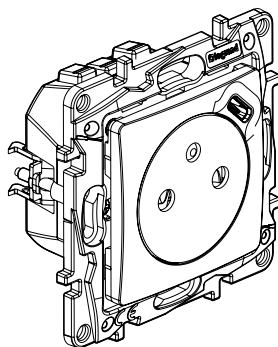


## 2 P+E socket flush surface + USB Type C mixed socket outlet



### 1. USE

2 P+E socket outlets with child protection.

USB Type C socket: for recharging portable devices such as phones, smartphones, tablets, MP3, MP4, loudspeakers, watches, game consoles, powerbanks.

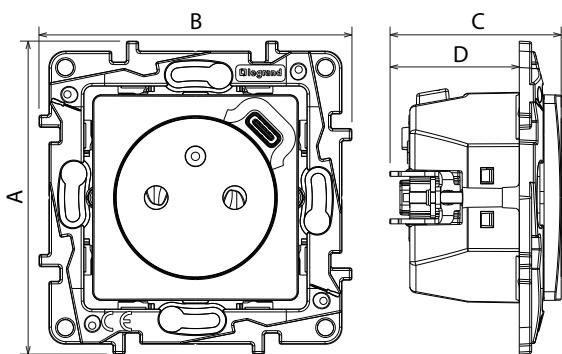
Recessed mounting in box depth 40 mm min.

Fixing with screws and/or claws.

### 2. RANGE

| Description                      | White    | Aluminium | Smoked grey | Black   |
|----------------------------------|----------|-----------|-------------|---------|
| 2 P+E socket + USB socket type C | 7 621 96 | 7 622 96  | 7 623 96    | 7 62 96 |

### 3. DIMENSIONS (mm)



| A  | B  | C    | D    |
|----|----|------|------|
| 76 | 76 | 41.5 | 31.3 |

### 4. CONNECTION

#### ■ 4.1 2 P+E socket outlet

Type of terminals: automatics

Terminal capacity: 6 x 2.5 mm<sup>2</sup>

Stripping length: 11 mm

Flexible or rigid cables compatible

#### ■ 4.2 Type C USB socket

Prewired socket

### 5. TECHNICAL CHARACTERISTICS

#### ■ 5.1 Mechanical characteristics

Protection against impact: IK 04

Protection against solid bodies and liquids: IP 40

### 5. TECHNICAL CHARACTERISTICS (continued)

#### ■ 5.2 Material characteristics

Polyglass appearance

Mechanism casing: PC

Support: PC

Claws: Steel

Cover plate: PC

Halogen-free

UV-resistant

Self-extinguishing:

85°C/30 s for insulating components holding live parts in place

650°C/30 s for other insulating components.

#### ■ 5.3 Electrical characteristics 2 P+E socket

Voltage: 250 V~

Current: 16 A

Frequency: 50/60 Hz

#### ■ 5.4 Electrical characteristics USB socket

Integrated surge protection

All values listed below are measured at an ambient temperature of + 25° and after 15 minutes of operation.

|  |                   |
|--|-------------------|
| Connector                                  | USB Type C        |
| Nominal input voltage                      | 250 V~            |
| Nominal input frequency                    | 50-60 Hz          |
| Nominal input current                      | 200 mA            |
| Stand-by power consumption                 | 0.07 W - 0.075 mA |
| Average active efficiency                  | 82 %              |
| Nominal output voltage                     | 5 V=              |
| Nominal output current                     | 1.5 A             |
| Efficiency can meet energy star level "VI" |                   |
| Protection class                           | II - Low voltage  |

## 2 P+E socket flush surface + USB Type C mixed socket outlet

### 5. TECHNICAL CHARACTERISTICS *(continued)*

#### ■ 5.5 Climate characteristics

Storage temperature: -10°C to +70°C

Use temperature: -5°C to +35°C

### 6. CLEANING

Surface cleaning with a cloth.

Do not use: acetone, tar remover, trichlorethylene.

**Caution:** Always test before using other special cleaning products.

### 7. STANDARDS AND APPROVALS

Compliant with installation and manufacturing standards.

See e-catalogue.