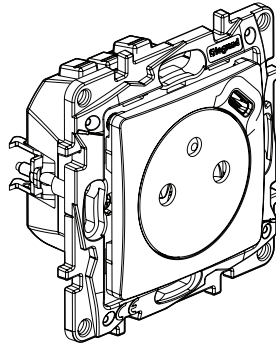


2 P+E socket flush surface + USB Type C mixed socket outlet



1. USE

2 P+E socket outlets with child protection.

USB Type C socket: for recharging portable devices such as phones, smartphones, tablets, MP3, MP4, loudspeakers, watches, game consoles, powerbanks.

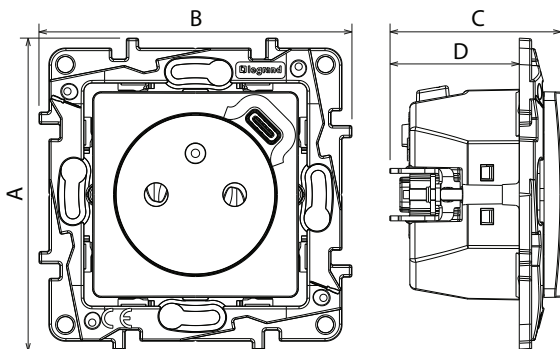
Recessed mounting in box depth 40 mm min.

Fixing with screws and/or claws.

2. RANGE

Description	White	Aluminium	Smoked grey	Black
2 P+E socket + USB socket type C	7 621 96	7 622 96	7 623 96	7 624 96

3. DIMENSIONS (mm)



References	A	B	C	D
8 63X 38	76	76	41.5	31.3

4. CONNECTION

■ 4.1 2 P+E socket outlet

Type of terminals: automatics

Terminal capacity: 6 x 2.5 mm²

Stripping length: 11 mm

Flexible or rigid cables compatible

■ 4.2 Type C USB socket

Prewired socket

5. TECHNICAL CHARACTERISTICS

■ 5.1 Mechanical characteristics

Protection against impact: IK 04

Protection against solid bodies and liquids: IP 40

5. TECHNICAL CHARACTERISTICS (continued)

■ 5.2 Material characteristics

Polyglass appearance

Mechanism casing: PC

Cover plate: PC

Support: PC

Claws: Steel

Halogen free

UV resistant

Self-extinguishing:

850° C / 30 s for insulating parts holding live parts in place

650° C / 30 s for other parts made of insulating materials.

■ 5.3 Electrical characteristics 2 P+E socket

Voltage: 250 V~

Current: 16 A

Frequency: 50/60 Hz

■ 5.4 Electrical characteristics USB socket

Integrated surge protection

All values listed below are measured at an ambient temperature of + 25° and after 15 minutes of operation.

Connector	USB Type C
Nominal input voltage	250 V~
Nominal input frequency	50-60 Hz
Nominal input current	200 mA
Stand-by power consumption	0.07 W - 0.075 mA
Nominal output voltage	5 V=
Nominal output current	1.5 A
Efficiency can meet energy star level "VI" (≥ 76% measured at USB socket output side)	
Safety standard	EN62368-1
Protection class	II - Low voltage

2 P+E socket flush surface + USB Type C mixed socket outlet

5. TECHNICAL CHARACTERISTICS *(continued)*

■ 5.5 Climatic characteristics

Storage temperature: - 10° C to + 70° C

Use temperature: - 5° C to + 35° C

6. CLEANING

Surface cleaning with a cloth.

Do not use: acetone, tar remover, trichlorethylene.

Caution: A preliminary test should be carried out if other specific cleaning products are to be used.

7. STANDARDS AND APPROVALS

Compliant with installation and manufacturing standards.

See e-catalogue.