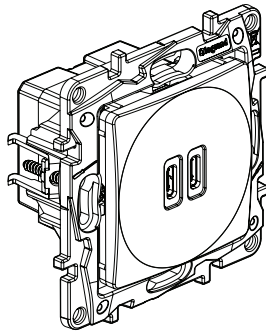
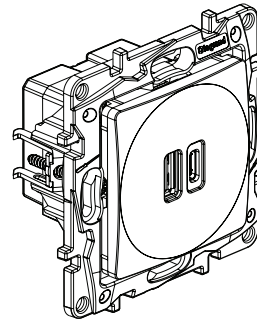


USB Type-A + USB Type-C charger
USB Type-C charger



7 62X 95



7 62X 97

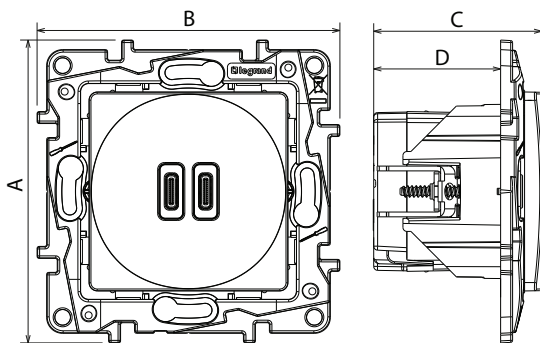
1. USE

Equipped with two USB output to simultaneously charge a second device (mobile phone, smartphone, tablet, MP3, MP4, speaker, watch, game console, Powerbank).
 Mechanisms supplied with protection cover.
 To be equipped with plates one or several gangs.
 Flush-mounting or surface-mounting.
 Screw or claw fixing.

2. RANGE

Description	Aluminium	Anthracite	Smoked grey	Pearl
Double USB socket type C- 5 V - 3000 mA	7 621 95	7 622 95	7 623 95	7 624 95
Double USB socket type A+C- 5 V - 3000 mA	7 621 97	7 622 97	7 623 97	7 624 97

3. DIMENSIONS (mm)



References	A	B	C	D
7 62X 95	75.8	75.8	42	31.8
7 62X 97				

4. CONNECTION

Type of terminals: with screws
 Terminal capacity: 2 x 2.5 mm²
 Stripping length (mm): 6 mm
 Flexible or rigid cables compatible
Recommended use: circuit terminal outlet

5. TECHNICAL CHARACTERISTICS

■ **5.1 Mechanical characteristics**

Protection against solid bodies and liquids: IP 20
 Protection against impact: IK 04

■ **5.2 Material characteristics**

Material : - Mechanism housing: PC
 - Rocker plate: ABS
 - Halogen free
 - UV resistant
 - Claws: steel

Material of the support: - Polycarbonate grey RAL 7037 + 10 % glass fiber
 - Halogen free

Self-extinguishing:

+ 850° C / 30 s for insulating parts holding live parts in place
 + 650° C / 30 s for other parts made of insulating materials

USB Type-A + USB Type-C charger
USB Type-C charger**5. TECHNICAL CHARACTERISTICS (continued)****■ 5.3 Electrical characteristics**

All values listed below are measured at an ambient temperature of + 25° and after 15 minutes of operation.

Nominal input voltage	100 - 240 V~
Nominal input frequency	50-60 Hz
Maximum input current	300 mA
Maximum power consumption in standby	0.075 W
Power average efficiency	80.3 %
Nominal output voltage	5 V=
Maximum output current	3000 mA
No-load power consumption class and average efficiency level: level VI*	
Safety-standard	EN60950-1
Protection class	II - Low voltage

*NB: European Regulation No. 278/2009 of 6 April 2009, Directive 2005/32/EC on eco-design requirements for AC/DC power supplies.

■ 5.4 Average charging time for devices equipped with lithium ion polymer batteries:

- 80 % charged < 1 h 15
- 100 % charged < 2 h 00

Note: To optimize the charging time of your device, ensure turn it off during the charging phase.

■ 5.5 Climatic characteristics

Use temperature: - 5° C to + 35° C

Storage temperature: - 20° C to + 70° C

6. MAINTENANCE

Surface cleaning with a cloth.

Do not use: acetone, tar remover, trichloroethylene.

Maintenance with the following products: Hexane (EN 60669-1), Methylated spirit, Soapy water, Diluted ammonia, Bleach diluted to 10%, Window-cleaning products.

Caution: A preliminary test should be carried out if other specific cleaning products are to be used.

7. STANDARDS AND APPROVALS

Compliance with standards of installation and manufacturing. Refer to e. catalogue.