

1. USE

Shutter controls mechanisms 250 V~.

Mechanisms supplied with protection cover.

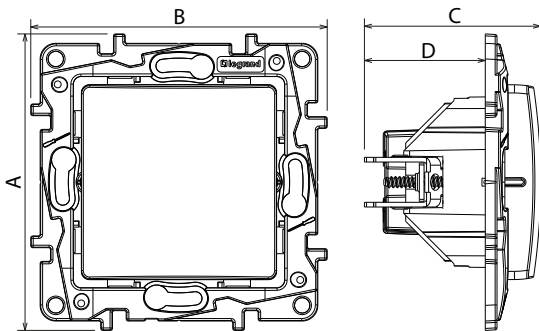
To be equipped with plates one or several gangs. Flush-mounting or surface-mounting.

Screw or claw fixing.

2. RANGE

Description	Aluminium	Anthracite	Smoked grey	Pearl
Roller blind switch 10 AX - 250 V~	7 621 11	7 622 11	7 623 11	7 624 11
Roller blind push-button 6 A - 250 V~	7 621 12	7 622 12	7 623 12	7 624 12

3. DIMENSIONS (mm)



References	A	B	C	D
7 62X 11	75.8	75.8	45.1	31
7 62X 12	75.8	75.8	45.1	31

4. CONNECTION

Type of terminals: screws
 Capacity: 2 x 2.5 mm²
 Flexible or rigid cables compatible

References	Stripping length (mm)
7 62X 11	9
7 62X 12	

5. TECHNICAL CHARACTERISTICS

■ 5.1 Mechanical characteristics

Protection against solid bodies and liquids: IP 20
 Protection against impact: IK 04

■ 5.2 Material characteristics

Material : - Mechanism housing: PC
 - Rocker plate: ABS
 - Halogen free
 - UV resistant
 - Claws: steel

Material of the support: - Polycarbonate grey RAL 7037 + 10 % glass fiber
 - Halogen free

Self-extinguishing:

+ 850° C / 30 s for insulating parts holding live parts in place
 + 650° C / 30 s for other parts made of insulating materials

■ 5.3 Electrical characteristics

Voltage: 250 V~

Current: _ 10 AX for 7 62X 11
 _ 6 A for 7 62X 12

Maximum power on integrated ballast lamps: 100 W
 Frequency: 50/60 Hz

■ 5.4 Climatic characteristics

Storage and use temperature: - 5° C to + 35° C

6. MAINTENANCE

Surface cleaning with a cloth.

Do not use: acetone, tar remover, trichloroethylene.

Maintenance with the following products: Hexane (EN 60669-1), Methylated spirit, Soapy water, Diluted ammonia, Bleach diluted to 10%, Window-cleaning products.

Caution: A preliminary test should be carried out if other specific cleaning products are to be used.

7. STANDARDS AND APPROVALS

Compliance with standards of installation and manufacturing.
 Refer to e. catalogue.