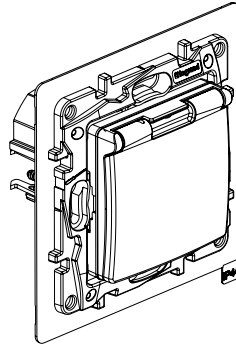


Niloé™ sélection

**Socket outlets - French Standard - IP44**

7 62X 37 - 7 62X61

**1. USE**

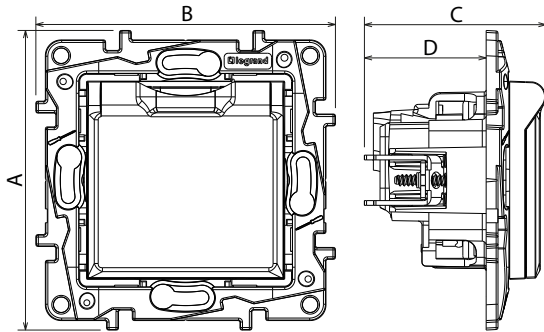
Socket outlets with or without shutters.  
Mechanisms supplied with protection cover.  
To be equipped with plates one or several gangs.  
Flush-mounting or surface-mounting.  
Screw or claw fixing.

**2. RANGE**

Description	Aluminium	Anthracite	Smoked grey	Pearl
2 P+E socket shutters screw terminal IP 44	7 621 37	7 622 37	7 623 37	7 624 37
2 P+E socket screw terminal IP 44	7 621 61	7 622 61	7 623 61	7 624 61

## Socket outlets - French Standard - IP44

### 3. DIMENSIONS (mm)



References	A	B	C	D
7 62X 37/61	75.8	75.8	45.85	30.8

### 4. CONNECTION

References	Type of terminals	Stripping length (mm)
7 62X 37/61	Screw	9

Capacity: 2 x 2.5 mm<sup>2</sup>  
Flexible or rigid cables compatible

### 5. TECHNICAL CHARACTERISTICS

#### ■ 5.1 Mechanical characteristics

Protection against solid bodies and liquids: IP 44  
Protection against impact: IK 04

#### ■ 5.2 Material characteristics

Material : - Mechanism housing: PC  
- Halogen free  
- UV resistant  
- Claws: steel  
Material of the support: - PC  
- Halogen free

Self-extinguishing:

- + 850° C / 30 s for insulating parts holding live parts in place
- + 650° C / 30 s for other parts made of insulating materials

#### ■ 5.3 Electrical characteristics

Voltage: 250 V~  
Current: 16 A  
Frequency: 50/60 Hz

#### ■ 5.4 Climatic characteristics

Storage and use temperature: - 5° C to + 35° C

### 6. MAINTENANCE

Surface cleaning with a cloth.  
Do not use: acetone, tar remover, trichloroethylene.

Maintenance with the following products: Hexane (EN 60669-1), Methylated spirit, Soapy water, Diluted ammonia, Bleach diluted to 10%, Window-cleaning products.

**Caution:** A preliminary test should be carried out if other specific cleaning products are to be used.

### 7. STANDARDS AND APPROVALS

Compliance with standards of installation and manufacturing.  
Refer to e. catalogue.