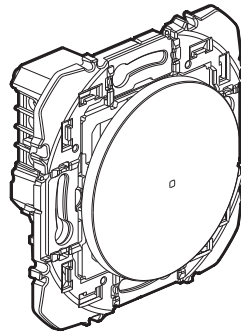


dooxie™ with Netatmo
**Connected switch with neutral
 (with dimmer option)**

Cat. No(s): 6 000 90A - 6 001 90A



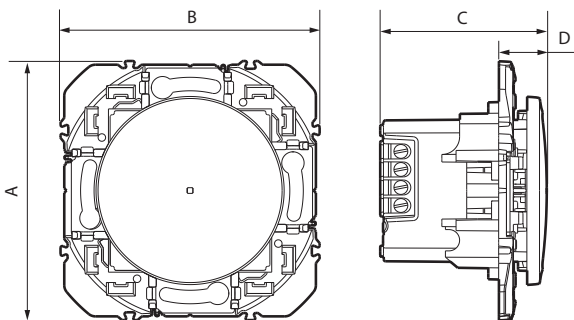
1. USE

Connected switch with neutral (with dimmer option), configured by default as ON/OFF.
 Can be combined with one or more wireless lighting controls (dimmer mode can be activated from the Home + Control app) and/or mechanical push-buttons.
 For local or remote control of your lighting.
 Easy to install in place of a standard switch in a box 40 mm deep (minimum).
 Fixing with claws and/or screws.

2. RANGE

Description	White	Aluminium
Product for use in conjunction with the starter "with Netatmo". With LED indicator (configuration) and RESET button (hidden) used to return in factory settings. Delivered with protection cover.	6 000 90A	6 001 90A

3. DIMENSIONS (mm)

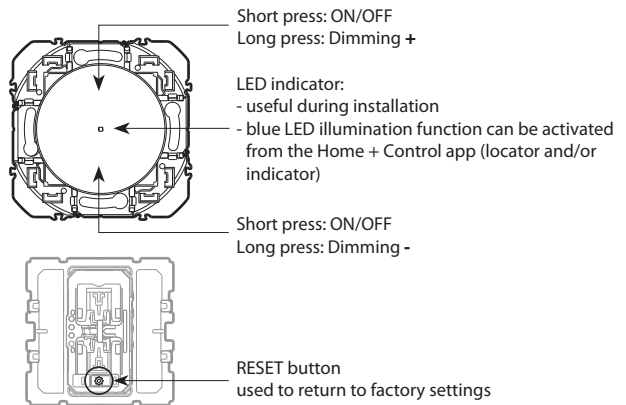


A	B	C	D
73	73	47	12

4. CONNECTION

Terminal type: with screws
 Terminal capacity: 2 x 2.5 mm²
 Stripping length: 7 mm
 Screwdriver: 3 mm flat

5. OPERATION



6. TECHNICAL CHARACTERISTICS

■ **6.1 Mechanical characteristics**

Protection against impacts: IK 04
 Protection against solid bodies and liquids: IP 20

■ **6.2 Material characteristics**

Support: Grey PC RAL 7016 + métal
 Mechanism casing: PC
 Rocker: ABS

Halogen-free
 UV-resistant

Self-extinguishing:
 850°C/30 s for insulating components holding live parts in place.
 650°C/30 s for other insulating components.

■ **6.3 Electrical characteristics**

Voltage: 110/230 V~
 Power: 150 W
 Frequency: 50/60 Hz
 Standby consumption: 3.7 mA

Zigbee technology 2.4 GHz to 2.4835 GHz
 Power level: < 100 mW

Range: 200 m of unobstructed space
 10 m between products indoors

■ **6.4 Climate characteristics**

Usage temperature: +5°C to +45°C
 Storage temperature: 0°C to +45°C

7. CARE

Clean the surface with a cloth.
Do not use acetone, tar-removing cleaning agents or trichloroethylene.

Resistant to the following products:
Hexane, methylated spirit, soapy water, diluted ammonia, bleach diluted to 10%, window-cleaning products, pre-impregnated wipes.

Resistance to hospital grade cleaning products:
Anios, surfanios, bactylsine, diluted hydrogen peroxide (35%).

Caution: Always test before using special cleaning products.

8. STANDARDS AND APPROVALS

Compliant with installation and manufacturing standards.
See e-catalogue.

The undersigned, LEGRAND, declares that the radio-electric equipment type (6 000 90A - 6001 90A) complies with directive 2014/53/EU.
The full text of the EU declaration of conformity is available on the following website: www.legrand.com/ecatalogue