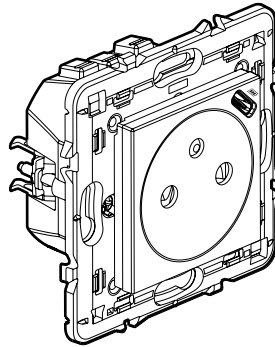


Mosaic™ 2 P+E + USB Type-C mixed socket outlet

Cat. No(s): 2 781 61L



1. USE

2 P+E socket outlets with child protection.

USB Type C socket: for recharging portable devices such as phones, smartphones, tablets, MP3, MP4, loudspeakers, watches, game consoles, power-banks.

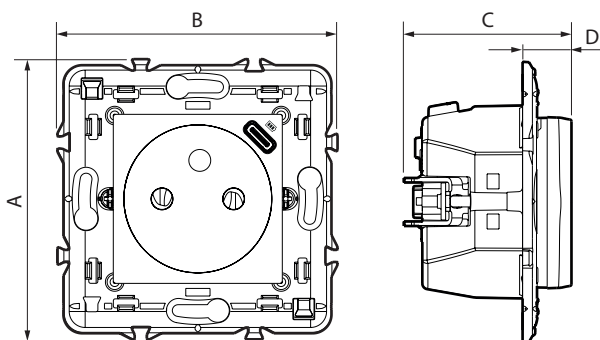
Recessed mounting in box depth 40 mm min (Multi-station compatible box).

Fixing with screws and/or claws.

2. RANGE

Description French standard	White
Mixed socket composed of: - 2 P+E socket flush surface - 16 A - 250 V~ - single USB socket - 5.0 V= - 1.5 A - 7.5 W Supplied with secable support (spacing 71 mm) and cover plate.	0 771 61L

3. DIMENSIONS (mm)



A	B	C	D
74	74	41.5	10.2

4. CONNECTION

2 P+E socket outlet:

Type of terminals: automatics

Terminal capacity: 2 x 2.5 mm²

Stripping length: 11 mm

Flexible or rigid cables compatible

Type C USB socket: Prewired socket

5. TECHNICAL CHARACTERISTICS

■ 5.1 Mechanical characteristics

Protection against impact: IK 04

Protection against solid bodies and liquids: IP 40

■ 5.2 Material characteristics

Mechanism casing: PC

Cover plate: PC White RAL 9003

Support: PC grey RAL 7016 + metal

Claws: Steel

Halogen-free

UV-resistant

Self-extinguishing:

850°C/30 s for insulating parts holding live parts in place

650°C/30 s for other parts made of insulating materials.

■ 5.3 Electrical characteristics 2 P+E socket

Voltage: 250 V~

Current: 16 A

Frequency: 50/60 Hz

■ 5.4 Electrical characteristics USB socket

Integrated surge protection

All values listed below are measured at an ambient temperature of + 20° and after 30 minutes of operation.

Connector	USB Type C
Nominal input voltage	100-240 V~
Nominal input frequency	50/60 Hz
Nominal output voltage	5.0 V=
Nominal input current	0.2 A
Nominal output current	1.5 A
Output power	7.5 W
Average active efficiency	82 %
Stand-by power consumption	0.07 W
No-load power consumption class and average efficiency level: level VI	
Protection class	II - Low voltage

■ 5.5 Climate characteristics

Storage temperature: - 10°C to + 70°C

Use temperature: - 5°C to + 35°C

6. CLEANING

Surface cleaning with a cloth.
Do not use: acetone, tar remover, trichlorethylene.

Caution: Always test before using other special cleaning products.

7. STANDARDS AND APPROVALS

Compliant with installation and manufacturing standards.
See e-catalogue.