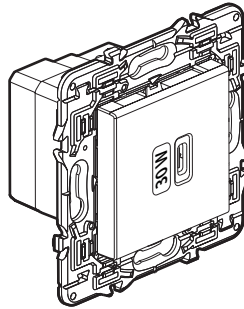


## Valena™ Next 30W USB Type-C charger

Cat. No(s): 7 412 33 - 7 413 33 - 7 414 33



### 1. USE

Allows you to power and charge multimedia terminals: PC, tablets, smartphones.

Optimizes the charging speed of Power Delivery terminals.

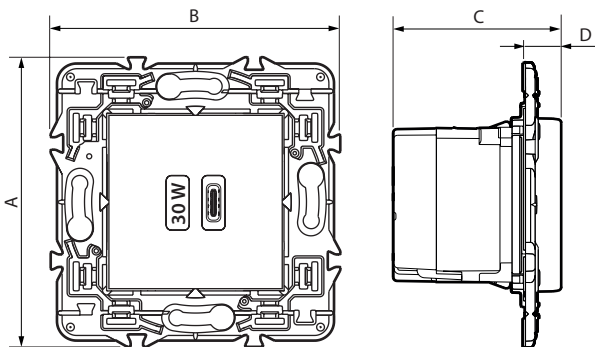
**USB Power Delivery** is the new fast charging technology built into iOS/Apple and Android/Google devices.

Technology enabling a faster charging level than conventional technologies, operating via an exchange between the terminal and the charger.

### 2. RANGE

30W USB charger Power Delivery	White	Alu	Black
1 USB Type-C (1output Type-C) 2 modules	7 412 33	7 413 33	7 414 33

### 3. DIMENSIONS (mm)



A	B	C	D
74	74	42	10

### 4. CONNECTION

Type of terminals: with screws

Terminal capacity: 2 x 2.5 mm<sup>2</sup>

Stripping length: 6 mm

Screwdriver: flat 3.5 mm

Circuit breaker: 16 A MAX.

#### Necessary safety precautions:



**Switch OFF the power at the main circuit breaker. Make sure that the power is OFF before continuing with the installation.**

### 5. TECHNICAL CHARACTERISTICS

#### ■ 5.1 Caractéristiques mécaniques

Protection contre les chocs : IK 04

Protection contre les corps solides/liquides : IP 40

#### ■ 5.2 Material characteristics

Colour: White RAL 9003

Aluminium painted satin appearance

Black painted satin appearance

Material: Cover-plate: ABS

Mechanism casing: PC

Support: Galfan steel + Polyamide 6.6 RAL 7016

Claws: Steel

Halogen-free

UV-resistant

Self-extinguishing:

850°C/30 s for insulating components holding live parts in place.

650°C/30 s for other insulating components.

#### ■ 5.3 Climate characteristics

Storage temperature: - 20°C to + 70°C

Operating temperature: 0°C to + 45°C

## 5. TECHNICAL CHARACTERISTICS *(continued)*

### ■ 5.4 Electrical characteristics

All values listed below are measured at an ambient temperature of + 20° and after 30 minutes of operation.

Nominal input voltage	220-240V~
Nominal input frequency	50/60Hz
Output power	30.0W
Nominal input current	1.0A
Nominal output current	3.0A
Nominal output voltage	5.0V~*
Average efficiency in active mode	80.3%
Stand-by power consumption	0.07W
Consumption class without load and average level of efficiency: Level VI	
Protection class	II - Low voltage

#### \*Optimise/voltage:

5.0V~	3.0A
9.0V~	3.0A
12.0V~	2.5A
15.0V~	2.0A
20.0V~	1.5A

**Note:** To optimize the charging time of your device, ensure turn it off during the charging phase.

## 6. CLEANING

Surface cleaning with a cloth.

Do not use: acetone, tar remover, trichloroethylene.

**Caution:** Always test before using other special cleaning products

## 7. STANDARDS AND APPROVALS

Compliant with installation and manufacturing standards.

Refer to e-catalogue.