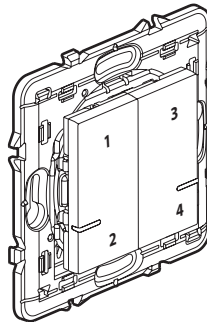


Mosaic™

Wireless 4 scenes control

Cat. No(s) : 0 777 09LA



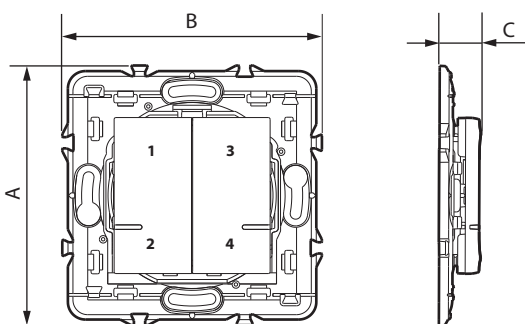
1. USE

Allows control of all connected wired controls (lights, appliances, roller shutters).
Requires the prior installation of a starter pack for connected installation or a Control modul.
Fixes directly on the wall or screws onto a flush-mounting box. Multi-gang versions can be combined with other wiring accessories.
Fits on a furniture (movable).

2. RANGE

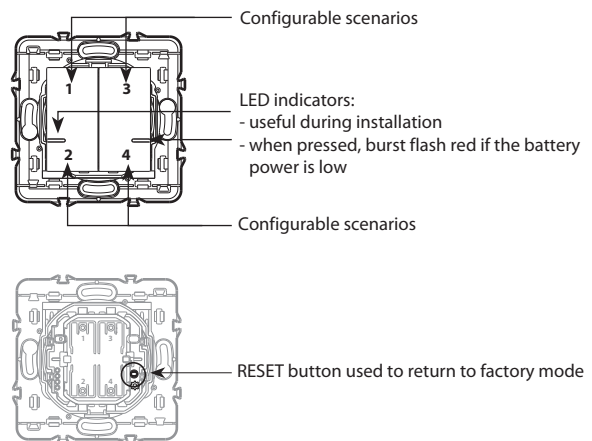
Description	White
Wireless control connected, 4 configurable scenarios. Supplied with battery. With LED indicator (configuration) and RESET button (hidden) used to return to factory settings. Repositionable self-adhesive fixings supplied.	0 777 09LA

3. DIMENSIONS



A	B	C
74	74	12

4. OPERATION



5. TECHNICAL CHARACTERISTICS

■ 5.1 Mechanical characteristics

Protection against impacts: IK 02
Protection against solid bodies/liquids: IP 20 without plate and rocker plate
IP 40 for assembled product

■ 5.2 Material characteristics

Mechanism with grid: Fibreglass-reinforced (10%) PC
Rocker: PC
Colour: White RAL 9003
Halogen-free
UV-resistant
Self-extinguishing: 650°C/30 s

■ 5.3 Electrical characteristics

Powered by a CR2032 - 3 V lithium battery (supplied)
Battery life: 8 years for 10 activations a day
Frequency band: 2.4 to 2.44835 GHz
Power level: < 100 mW

■ 5.4 Climate characteristics

Usage temperature: + 5°C to + 45°C
Storage temperature: 0°C to + 45°C

6. CARE

Clean the surface with a cloth.
Do not use acetone, tar-removing cleaning agents or trichloroethylene.

Resistant to the following products: Hexane, methylated spirit, soapy water, diluted ammonia, bleach diluted to 10%, window-cleaning products, pre-impregnated wipes.

Caution: Always test before using special cleaning products.



Take care to recycle the battery appropriately

7. ACCESSORIES

0 648 71: Repositionable adhesives for wireless control (supplied)

8. STANDARDS AND APPROVALS

The undersigned, LEGRAND, declares that the radio-electric equipment type (0 777 09LA) complies with directive 2014/53/EU.

The full text of the EU declaration of conformity is available on the following website: www.legrandoc.com

Compliant with installation and manufacturing standards.
See e.catalogue.