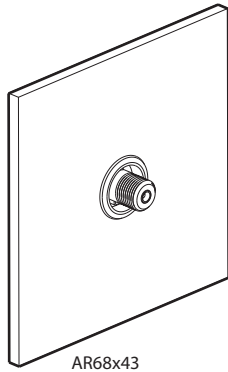
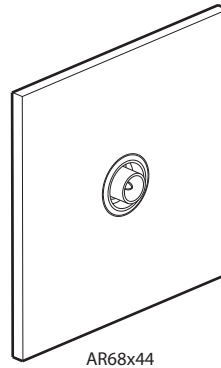


Epure Style Single TV sockets

Cat. No(s): AR68043/44 - AR68143/44 - AR68243/44
 AR68343/44 - AR68443/44



AR68x43



AR68x44

1. USE

Single TV screw-in TV sockets.
 DTT and HD compatible.
 Class A shielding - Star wiring
 Recommended cable 17/19 VATC
 Single cable entry
 For flush-mounting, back box to be min. 40 mm deep.
 Fixing with screws.

2. RANGE

TV sockets - single male

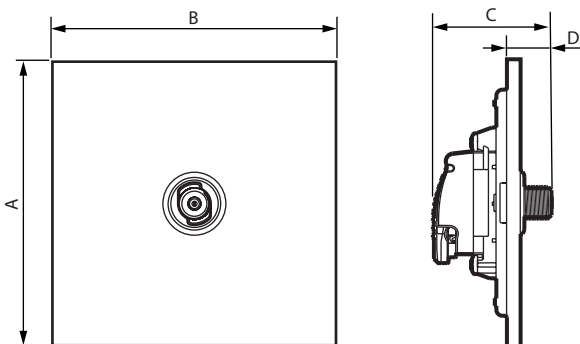
AR68043	<input type="radio"/> Configured Cat. No
AR68143	<input type="radio"/> Brushed steel
AR68243	<input type="radio"/> Brushed gold
AR68343	<input type="radio"/> Satin white
AR68443	<input type="radio"/> Matt black

TV sockets - single "F" type

AR68044	<input type="radio"/> Configured Cat. No
AR68144	<input type="radio"/> Brushed steel
AR68244	<input type="radio"/> Brushed gold
AR68344	<input type="radio"/> Satin white
AR68444	<input type="radio"/> Matt black

Note: Other finishes and styles are provided, see technical data sheet F02217EN.

3. OVERALL DIMENSIONS (mm)



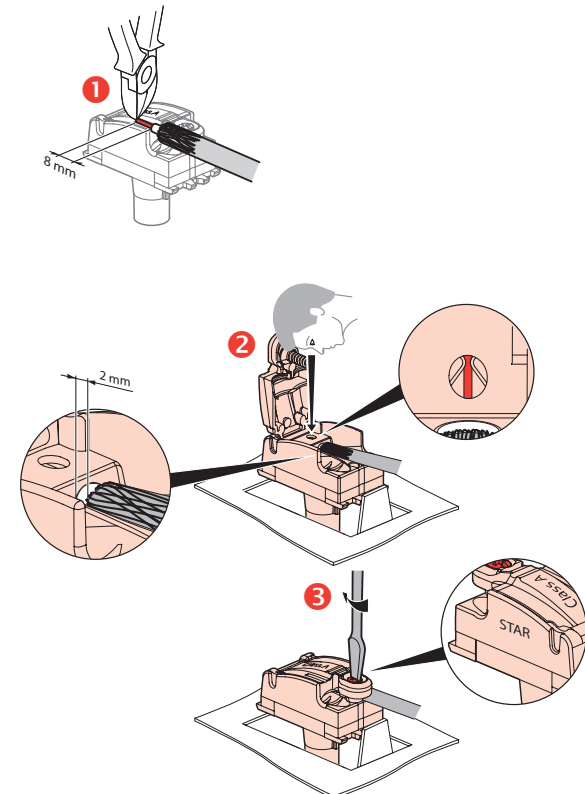
Cat. Nos	A	B	C	D
AR68x43	86	86	35.5	13.5
AR68x44	86	86	32	8

4. DISMANTLING

The plates can be dismantled by inserting the tip of a screwdriver in a purpose-designed notch on the sides of the plate and using it as a lever to unclip it from the fixing points.
 Once the plate has been lifted off the wall slightly, just slide your fingers between the plate and the wall to gently remove the plate.
 Take care not to pull too hard on the plate, to avoid breaking the fixing clips.

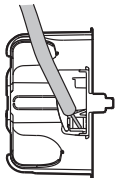
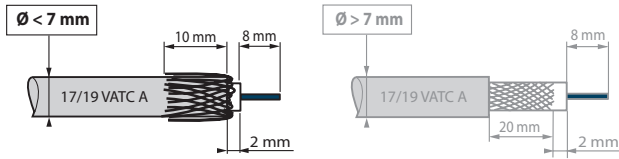
5. CONNECTION

5.1 Connection



5. CONNECTION (continued)

5.2 Wiring instruction



The rear connection minimises deformation of the coaxial cable, preventing loss of impedance and deterioration in performance.

6. TECHNICAL CHARACTERISTICS

6.1 Mechanical characteristics

Impact test: IK 02
Ingress of solids/liquids: IP 20
Cable resistance: 120 N

6.2 Material characteristics

- Plates:
Decorative brass: AR68143/44 - AR68243/44
Brass + paint: AR68343/44 - AR68443/44
- Support: steel with surface treatment

Halogen-free
UV-resistant

• Motor:

- Case: Zamac
- Cover: Zamac
- Pin: Bronze
- Screws: Zinc-plated Steel

Self-extinguishing: 650°C/30 s

6.3 Electrical characteristics

Characteristic impedance: 75 Ohm
Male connector: \varnothing 9.52 mm
Female "F" screw-type SAT connector \varnothing 9.4 mm

Shielding efficiency: Class A (class A shielding is necessary to prevent interference caused by using new 3 and 4 G telephone signals, as these unwanted signals can generate on-screen pixellation or adversely affect the sound track).

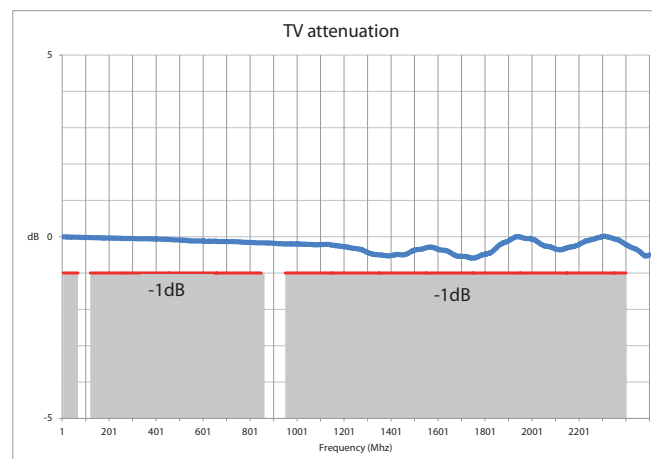
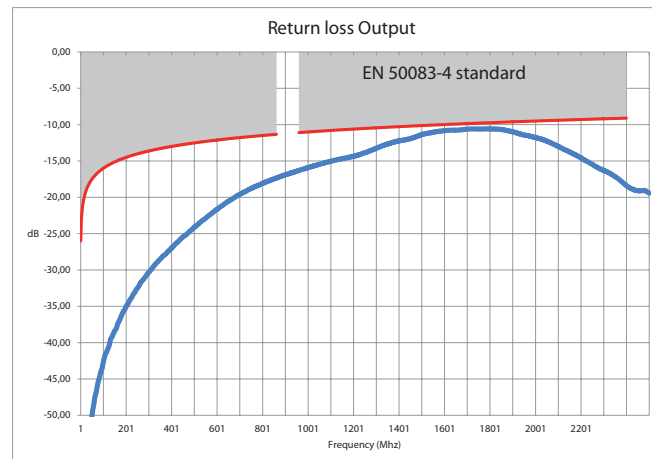
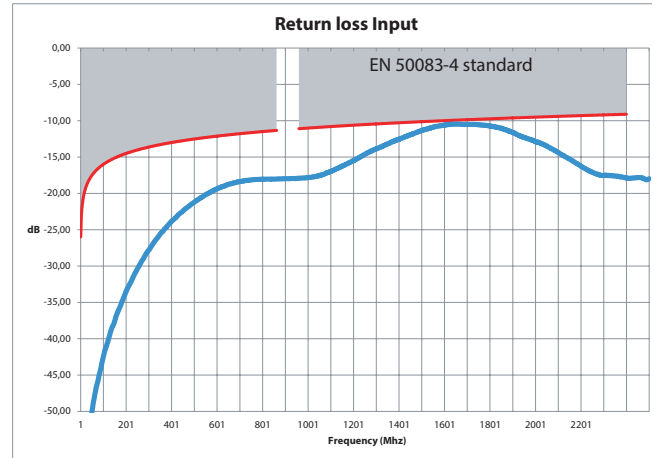
Frequency bands: 5-68/120-862 MHz
Attenuation: 1.5 dB maximum
Compatible with remote power feeding

6.4 Climate characteristics

Storage temperature: - 10°C to + 70°C
Usage temperature: - 5°C to + 35°C

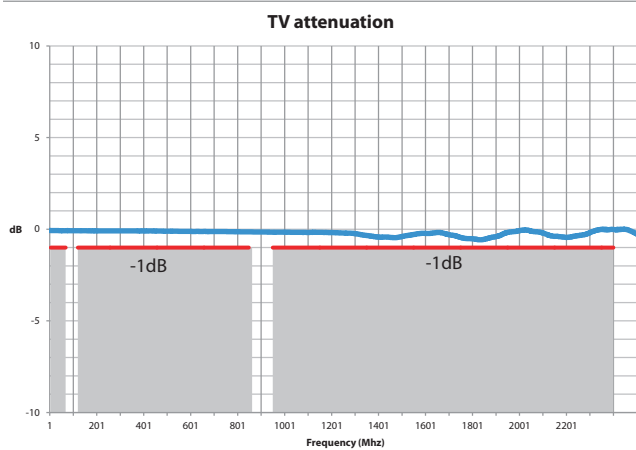
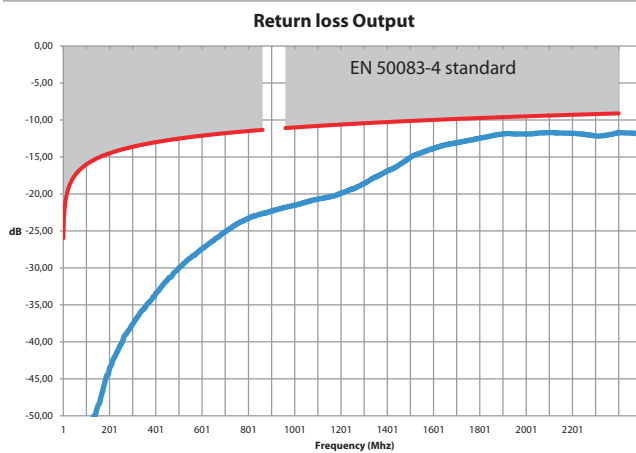
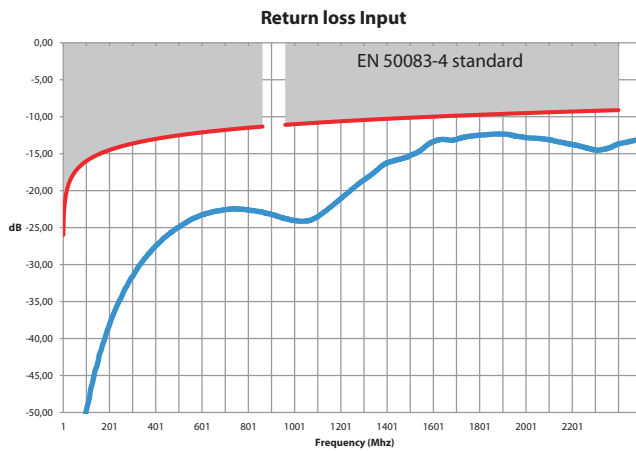
7. PERFORMANCE

7.1 Single TV male socket



7. PERFORMANCE (continued)

■ **7.2 Single "F" type TV socket**



8. CARE

■ **8.1 Installation**

To protect the products, it is essential to install them:

- once all surface coatings are completely dry,
- in a dry, non-aggressive environment,
- indoors only.

It is recommended that you install the plates only after the wall coatings have been completely finished (paint, fabrics, etc.).

■ **8.2 Instructions**

Clean and dust using a soft, damp cloth (dampened with water) or wipes impregnated with a product containing less than 5% alcohol and anionic surfactant.

■ **8.2 Banned products**

- Solvents, various essential oils, paint, or adhesive tape,
- Scouring powders (because are abrasive),
- Products containing bleach,
- Special products for stainless steel,
- Renovators (because they often contain abrasives and chemical agents),
- Splashes or fumes from floor, paint, or wood stripping products, etc.

Caution: Always test before using other special cleaning products. Any mechanical attack or foreign object (screwdriver, etc.) striking the surface of the plate would damage the finish and therefore also the surface treatment.

9. STANDARDS AND APPROVALS

Compliant with installation and manufacturing standards.
See e.catalogue.