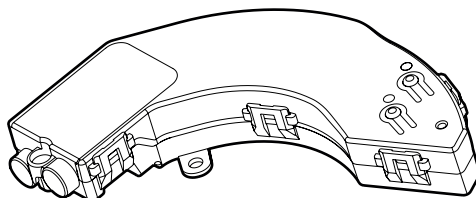


Connected micromodule for roller shutters and orientable sun shades

Cat. No(s): 0 676 97



1. USE

Connected micromodule for local or remote control of a roller shutters. Can be combined with one or more wireless roller shutters controls. Compatible with roller shutters with a mechanical or electronical stop.

Caution: Must be connected to the neutral.

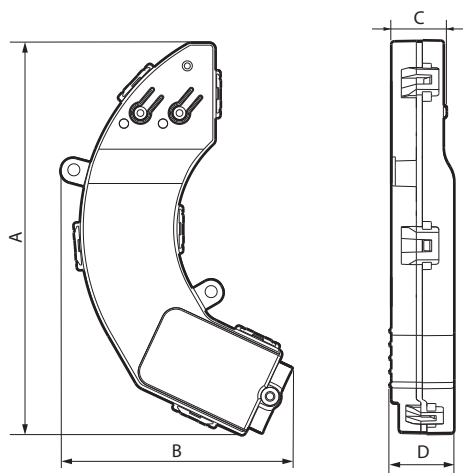
Not compatible with radio-controlled roller shutter motors. Installs with screws in the attic or in the box of the shutter.

Self calibration function to enable roller shutters level control. Orientable sun shades control function (to be selected in Home + Control App).

2. RANGE

Description	Cat. No.
Connected micromodule for roller shutters and orientable sun shades. Equipped with an LED indicator (configuration) and a RESET button used to return to factory settings.	0 676 97

3. DIMENSIONS (mm)



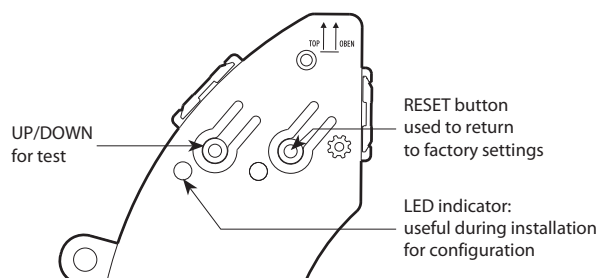
A	B	C	D
131	77	18.5	21.5

4. CONNECTION

Type of terminals: with screws
 Terminals capacity: 1 x 2.5 mm² - 2 x 1.5 mm²
 Stripping length: 8 mm
 Screwdriver: 3 mm flat blade

5. OPERATION

Integrated time delay for up/down inversion = 500 ms



6. TECHNICAL CHARACTERISTICS

6.1 Mechanical characteristics

Protection against impacts: IK 04
 Protection against solid/bodies and liquids: IP 44

6.2 Material characteristics

PC: Grey RAL 7035
 Halogen-free
 Self-extinguishing:
 850°C/30 s for insulating components holding live parts in place.
 650°C/30 s for other insulating components.

6.3 Electrical characteristics

Frequency bands: 2.4 GHz to 2.4835 GHz
 Power level: < 100 mW
 Standby consumption: 1,3 mA
 Voltage: 100/240 V~
 Current: 2 A
 Roller shutter motor: 240 Vac max. → 1 x 500 VA
 100 Vac max. → 1 x 270 VA

6.4 Climate characteristics

Usage temperature: - 5°C to + 50°C
 Storage temperature: - 10°C to + 70°C

7. CARE

Clean the surface with a cloth.
Do not use acetone, tar-removing cleaning agents or trichloroethylene.

Caution: Always test before using special cleaning products.

8. STANDARDS AND APPROVALS

Compliant with installation and manufacturing standards.
See e-catalogue.

The undersigned, LEGRAND, declares that the radio-electric equipment
type (0 676 97) complies with directive 2014/53/EU.

The full text of the EU declaration of conformity is available on the
following website: www.legrandoc.com