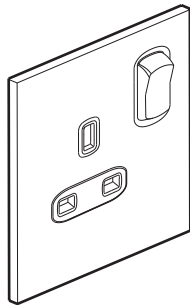
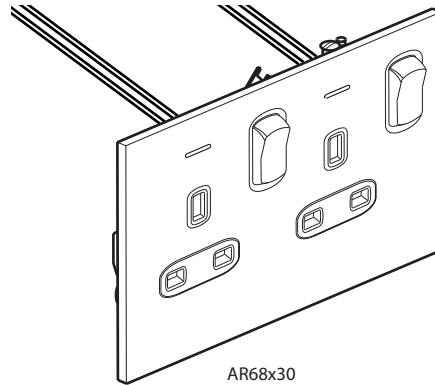


Epure Style Switched socket outlets 13 A

Cat. No(s): AR68021/22/23/24/29/30
 AR68121/22/23/24/29/30 - AR68221/22/23/24/29/30
 AR68321/22/23/24/29/30 - AR68421/22/23/24/29/30



AR68x24



AR68x30

1. USE

British standard single and double pole socket outlets, switched, complete delivered, with compact mechanisms for maximum wiring space and front plates. With safety shutters.

For flush-mounting, back box to be min. 35 mm deep.

Fixing with screws.

2. RANGE

Single pole - One-gang switched socket outlet

AR68024	<input type="radio"/> Configured Cat. No
AR68124	<input type="radio"/> Brushed steel
AR68224	<input type="radio"/> Brushed gold
AR68324	<input type="radio"/> Satin white
AR68424	<input checked="" type="radio"/> Matt black

Single pole - Two-gang switched socket outlet

AR68023	<input type="radio"/> Configured Cat. No
AR68123	<input type="radio"/> Brushed steel
AR68223	<input type="radio"/> Brushed gold
AR68323	<input type="radio"/> Satin white
AR68423	<input checked="" type="radio"/> Matt black

Double pole - One-gang switched socket outlet

AR68022	<input type="radio"/> Configured Cat. No
AR68122	<input type="radio"/> Brushed steel
AR68222	<input type="radio"/> Brushed gold
AR68322	<input type="radio"/> Satin white
AR68422	<input checked="" type="radio"/> Matt black

Double pole - Two-gang switched socket outlet

AR68021	<input type="radio"/> Configured Cat. No
AR68121	<input type="radio"/> Brushed steel
AR68221	<input type="radio"/> Brushed gold
AR68321	<input type="radio"/> Satin white
AR68421	<input checked="" type="radio"/> Matt black

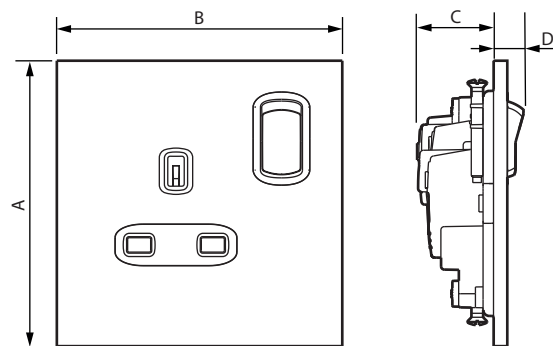
Double pole - One-gang switched socket outlet + blue LED power indicator

AR68029	<input type="radio"/> Configured Cat. No
AR68129	<input type="radio"/> Brushed steel
AR68229	<input type="radio"/> Brushed gold
AR68329	<input type="radio"/> Satin white
AR68429	<input checked="" type="radio"/> Matt black

Double pole - Two-gang switched socket outlet + blue LED power indicator

AR68030	<input type="radio"/> Configured Cat. No
AR68130	<input type="radio"/> Brushed steel
AR68230	<input type="radio"/> Brushed gold
AR68330	<input type="radio"/> Satin white
AR68430	<input checked="" type="radio"/> Matt black

3. OVERALL DIMENSIONS (mm)



Cat. Nos	A	B	C	D
AR68x22/24/29	86	86	32	9
AR68x21/23/30	86	146	31	9

4. DISMANTLING

The plates can be dismantled by inserting the tip of a screwdriver in a purpose-designed notch on the sides of the plate and using it as a lever to unclip it from the fixing points.

Once the plate has been lifted off the wall slightly, just slide your fingers between the plate and the wall to gently remove the plate.

Take care not to pull too hard on the plate, to avoid breaking the fixing clips.

5. CONNECTION

Type of terminals : with screws

Terminal capacity: 3 x 2.5 mm² - 2 x 4 mm² - 2 x 6 mm²

Stripping length: 12 mm

Compatible with flexible or rigid cables.

Note: Other finishes and styles are provided, see technical data sheet F02217EN.

6. TECHNICAL CHARACTERISTICS

■ 6.1 Mechanical characteristics

Impact tests: IK02

Penetration by solid bodies/liquids: IP20

■ 6.2 Material characteristics

Plates and rockers:

• Decorative brass: AR68121/22/23/24/29/30 - AR68221/22/23/24/29/30

• Brass + paint: AR68321/22/23/24/29/30 - AR68421/22/23/24/29/30

Mechanism housing: PP

Support: steel with surface treatment

Halogen-free

UV-resistant

Self-extinguishing:

850°C/30 s for insulating components holding live parts in place.

650°C/30 s for other insulating components.

■ 6.3 Electrical characteristics

Voltage: 250 V~

Current: 13 A

Frequency: 50/60 Hz

LED: 0.26 W

■ 6.4 Climate characteristics

Storage temperature: - 10°C to + 70°C

Usage temperature: - 5°C to + 35°C

7. CARE

■ 7.1 Installation

To protect the products, it is essential to install them:

- once all surface coatings are completely dry,
- in a dry, non-aggressive environment,
- indoors only.

It is recommended that you install the plates only after the wall coatings have been completely finished (paint, fabrics, etc.).

■ 7.2 Instructions

Clean and dust using a soft, damp cloth (dampened with water) or wipes impregnated with a product containing less than 5% alcohol and anionic surfactant.

■ 7.3 Banned products

- Solvents, various essential oils, paint, or adhesive tape,
- Scouring powders (because are abrasive),
- Products containing bleach,
- Special products for stainless steel,
- Renovators (because they often contain abrasives and chemical agents),
- Splashes or fumes from floor, paint, or wood stripping products, etc.

Caution: Always test before using other special cleaning products.

Any mechanical attack or foreign object (screwdriver, etc.) striking the surface of the plate would damage the finish and therefore also the surface treatment.

8. STANDARDS AND APPROVALS

Compliant with installation and manufacturing standards.

See e.catalogue.