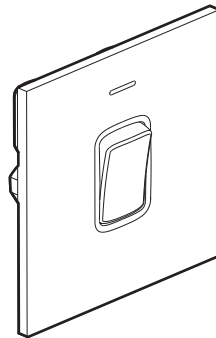


Epure Style Double pole switch 45 A, with LED

Cat. No(s): AR68005 - AR68105 - AR68205
 AR68305 - AR68405



1. USE

Lighting control push-buttons complete delivered, with compact mechanisms for maximum wiring space, front plates and control units.
 For flush-mounting, back box to be min. 35 mm deep.
 Fixing with screws.

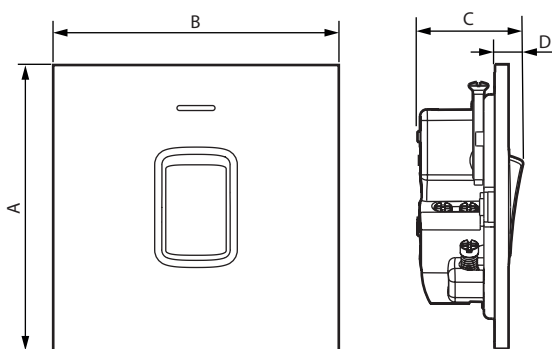
2. RANGE

1 gang - 2-way switch + blue LED power indicator and red rocker

| | |
|---------|---|
| AR68005 | <input type="radio"/> Configured Cat. No |
| AR68105 | <input type="radio"/> Brushed steel |
| AR68205 | <input type="radio"/> Brushed gold |
| AR68305 | <input type="radio"/> Satin white |
| AR68405 | <input checked="" type="radio"/> Matt black |

Note: Other finishes are provided, see technical data sheet F02217EN.

3. OVERALL DIMENSIONS (mm)



| A | B | C | D |
|----|----|----|-----|
| 86 | 86 | 32 | 8.5 |

4. DISMANTLING

The plates can be dismantled by inserting the tip of a screwdriver in a purpose-designed notch on the sides of the plate and using it as a lever to unclip it from the fixing points.
 Once the plate has been lifted off the wall slightly, just slide your fingers between the plate and the wall to gently remove the plate.
 Take care not to pull too hard on the plate, to avoid breaking the fixing clips.

5. CONNECTION

Type of terminals : with screws
 Terminal capacity: 3 x 4 mm² - 2 x 6 mm² - 1 x 10 mm² - 1 x 16 mm²
 Stripping length: 12 mm
 Compatible with flexible or rigid cables.

6. TECHNICAL CHARACTERISTICS

■ 6.1 Mechanical characteristics

Impact tests: IK02
 Penetration by solid bodies/liquids: IP20

■ 6.2 Material characteristics

Plates:
 • Decorative brass: AR68105 - AR68205
 • Brass + paint: AR68305 - AR68405

Rocker: Red PC
 Mechanism housing: PP
 Support: steel with surface treatment

Halogen-free
 UV-resistant

Self-extinguishing:
 850°C/30 s for insulating components holding live parts in place.
 650°C/30 s for other insulating components.

■ 6.3 Electrical characteristics

Voltage: 250 V~
 Current: 45 A
 Frequency: 50/60 Hz
 Blue LED: 0.26 W

■ 6.4 Climate characteristics

Storage temperature: - 10°C to + 70°C
 Usage temperature: - 5°C to + 35°C

7. CARE

■ 7.1 Installation

To protect the products, it is essential to install them:

- once all surface coatings are completely dry,
- in a dry, non-aggressive environment,
- indoors only.

It is recommended that you install the plates only after the wall coatings have been completely finished (paint, fabrics, etc.).

■ 7.2 Instructions

Clean and dust using a soft, damp cloth (dampened with water) or wipes impregnated with a product containing less than 5% alcohol and anionic surfactant.

■ 7.3 Banned products

- solvents, various essential oils, paint, or adhesive tape,
- scouring powders (because are abrasive),
- products containing bleach,
- special products for stainless steel,
- renovators (because they often contain abrasives and chemical agents),
- splashes or fumes from floor, paint, or wood stripping products, etc.

Caution: Always test before using other special cleaning products. Any mechanical attack or foreign object (screwdriver, etc.) striking the surface of the plate would damage the finish and therefore also the surface treatment.

8. STANDARDS AND APPROVALS

Compliant with installation and manufacturing standards.
See e.catalogue.