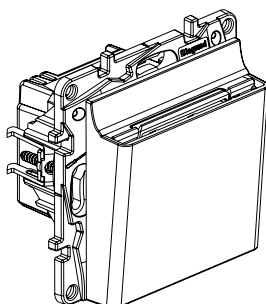


Niloé™ Step
Electronic keycard switchCat. No(s): 8 631 47 - 8 633 47
8 634 47 - 8 635 47

8 63X 47

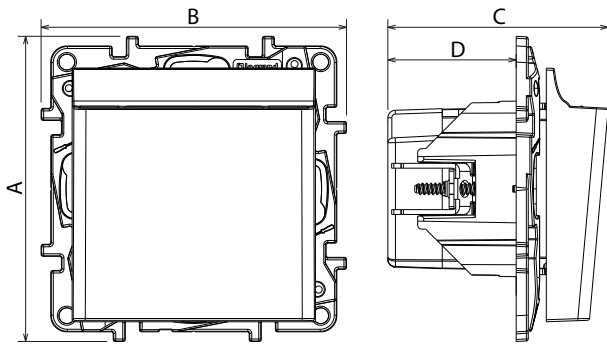
1. USE

Hotel room lightning controls mechanism.
Mechanisms supplied with protection cover.
To be equipped with plates one or several gangs.
Flush-mounting or surface-mounting.
Screw or claw fixing.

2. RANGE

Description	White	Aluminium	Grey	Black
Electronic keycard switch (hotel) 6A	8 631 47	8 633 47	8 634 47	8 635 47

3. DIMENSIONS (mm)



References	A	B	C	D
8 63X 47	75.8	75.8	54.7	31.85

4. CONNECTION

Type of terminals: with screws
 Terminal capacity: 2 x 2.5 mm²
 Stripping length (mm): 8 mm
 Flexible or rigid cables compatible

5. TECHNICAL CHARACTERISTICS

■ 5.1 Mechanical characteristics

Protection against solid bodies and liquids: IP 20
 Protection against impact: IK 04

■ 5.2 Material characteristics

Material : - Mechanism housing: PC

- Cover plates: PC
- Halogen free
- UV resistant
- Claws: steel

Material of the support: - PC + FV

- Halogen free

Self-extinguishing:

- + 850° C / 30 s for insulating parts holding live parts in place
- + 650° C / 30 s for other parts made of insulating materials

■ 5.3 Electrical characteristics

- Voltage: 250 V~
- Frequency: 50/60 Hz

■ 5.4 Climatic characteristics

Storage temperature: - 10° C to + 70° C
 Use temperature: - 5° C to + 40° C

6. MAINTENANCE

Surface cleaning with a cloth.

Do not use: acetone, tar remover, trichloroethylene.

Maintenance with the following products: Hexane (EN 60669-1), Methylated spirit, Soapy water, Diluted ammonia, Bleach diluted to 10%, Window-cleaning products.

Caution: A preliminary test should be carried out if other specific cleaning products are to be used.

7. STANDARDS AND APPROVALS

Compliance with standards of installation and manufacturing.
 Refer to e. catalogue.