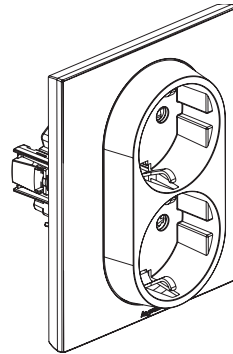


Niloé™ STEP Double socket outlets - German Standard

Cat. No(s): 8 63X 22



8 63X 22

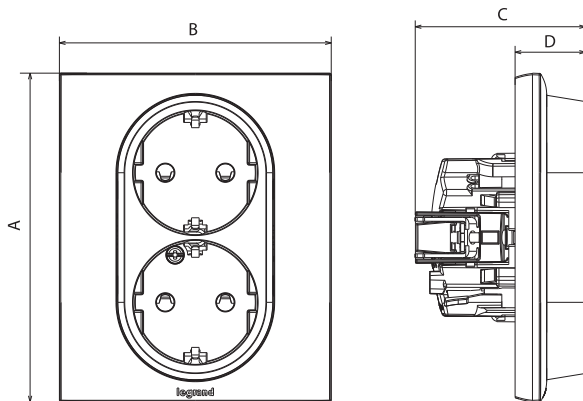
1. USE

Socket outlets with or without shutters.
 Mechanisms supplied with protection cover.
 To be equipped with plates one or several gangs.
 Flush-mounting.
 Screw or claw fixing.

2. RANGE

Description	White	Aluminium	Black
2x2 P+E socket automatic terminal	8 631 22	8 633 22	8 635 22

3. DIMENSIONS (mm)



References	A	B	C	D
8 63X22	104	86	53,8	22,3

4. CONNECTION

Terminal capacity: 2 x 2.5 mm²

References	Type of terminals	Stripping length (mm)
8 63X 22	Automatic	12

Flexible or rigid cables compatible

5. TECHNICAL CHARACTERISTICS

■ 5.1 Mechanical characteristics

Protection against solid bodies and liquids: IP 20
 Protection against impact: IK 04

■ 5.2 Material characteristics

Mechanism housing: PC
 Cover plate: PC
 Halogen-free
 UV-resistant

Claws: steel

Support: PC
 Halogen-free

Self-extinguishing:
 850°C/30 s for insulating components holding live parts in place
 650°C/30 s for other insulating components

■ 5.3 Electrical characteristics

Voltage: 250 V~
 Current: 16 A
 Frequency: 50/60 Hz

■ 5.4 Climate characteristics

Storage temperature: -10°C to +70°C
 Usage temperature: -5°C to +35°C

6. MAINTENANCE

Surface cleaning with a cloth.

Do not use: acetone, tar remover, trichloroethylene.

Maintenance with the following products:

Hexane (EN 60669-1), methylated spirit, soapy water, diluted ammonia, pure bleach diluted to 10%, window-cleaning products.

7. STANDARDS AND APPROVALS

Compliant with installation and manufacturing standards.

See e. catalogue.

Caution: Always test before using other special cleaning products