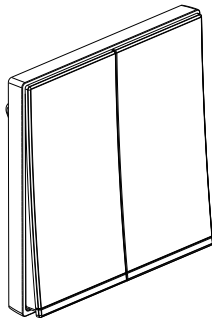
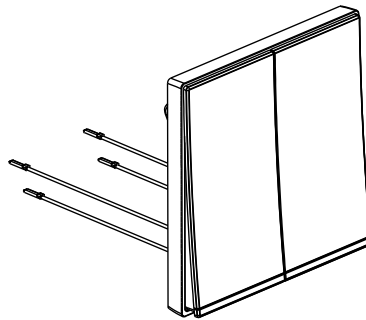


# Galion™ 2G Switch for DND/CUR

Cat. No(s): 2 824 16/16m  
K8/H258BN-HK



2 824 16/16m



K8/H258BN-HK

## CONTENTS

1. Use.....	1
2. Range.....	1
3. Preparation.....	1
4. Overall dimensions.....	1
5. Connection.....	2
6. Operation.....	2
7. Technical characteristics.....	2
8. Cleaning.....	2
9. Conformity - Approvals.....	2

## 1. USE

Use in conjunction with hotel bedroom call indicator.  
Suitable for rooms of hotel, inns, etc. Customer can choose "Do not disturb" (DND) or "Please clean up" (CUR) status.  
(Supplied with M3.5 screws for BS boxes. Flush mounting or Surface mounting.)

## 2. RANGE

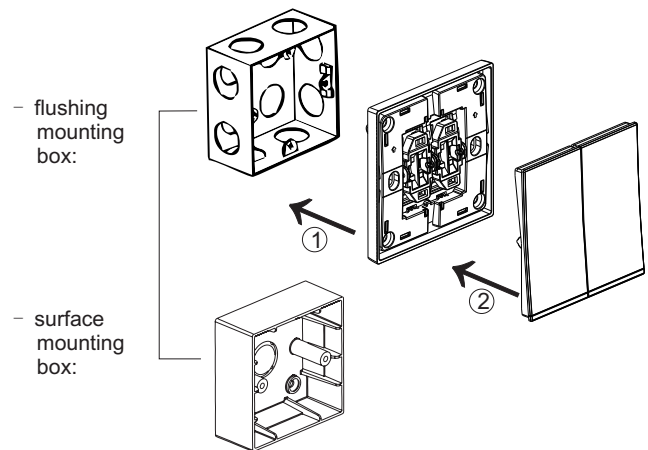
	Designation	Cat. No.	Weight (g)	Characteristics
	2G Switch for DND/CUR	282416/16m	94	4AX-250VAC
	2G LED Switch for DND/CUR	K8/H258BN-HK	97	4AX-250VAC

## Colours

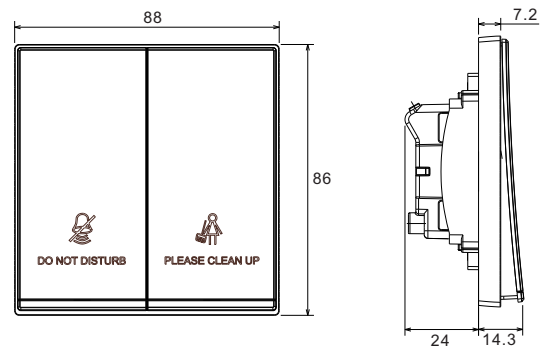
- front: white/rose golden/champagne/dark silver
- rear: white/rose golden/champagne/dark silver
- X XXX XX white
- X XXX XX-C matt black
- X XXX XX-C1 rose golden
- X XXX XX-C2 champagne
- X XXX XX-C3 dark silver

## 3. PREPARATION

### 3.1 General preparation



## 4. OVERALL DIMENSIONS



Profile Size: 86 × 88 mm  
Distance of installation hole: 60.3 mm  
Minimum depth of the box > 35 mm

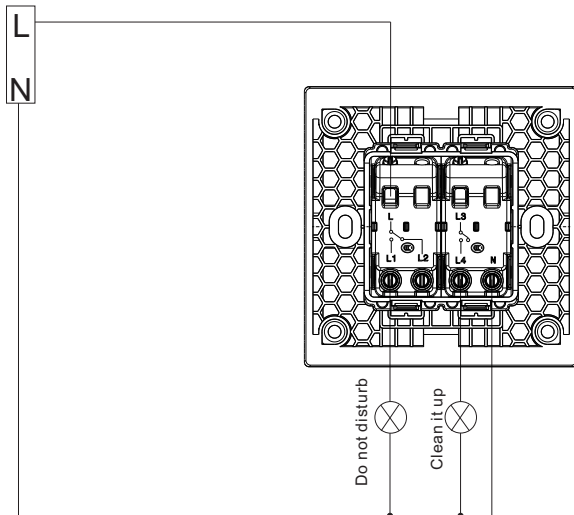
## 5. CONNECTION

### 5.1 Terminals

Terminal capacity: 3 × 1 mm<sup>2</sup>  
3 × 1.5 mm<sup>2</sup>  
2 × 2.5 mm<sup>2</sup>  
1 × 4 mm<sup>2</sup>

Recommended screwdriver size: 4 mm flat blade  
Recommended stripping length: 12 mm  
Recommended terminal tightening torque: 0.5Nm

### 5.2 Circuit diagrams



## 6. OPERATION

Switch mechanism (handling force: 0.9 to 1.6N)

## 7. TECHNICAL CHARACTERISTICS

### 7.1 Material characteristics

Rocker: Polycarbonate  
Bar: Polycarbonate  
Frame: Polycarbonate  
Self-extinguishing:  
+ 850° C / 30 s for insulating parts holding live parts in place  
+ 650° C / 30 s for other parts made of insulating materials

### 7.2 Electrical characteristics

Voltage: 250VAC  
Current: 4AX

### 7.3 Climatic characteristics

Storage temperatures: -10°C to +70°C  
Operating temperatures: -5°C to +50°C

### 7.4 Mechanical characteristics

Impact test: IK04  
Protection against liquids: IP20

## 8. CLEANING

Surface cleaning with a soft, slightly damp cloth.  
Do not use: acetone, tar remover, trichloroethylene

## 9. CONFORMITY - APPROVALS

Conform to IEC 60669-1.