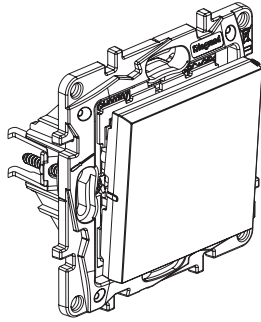
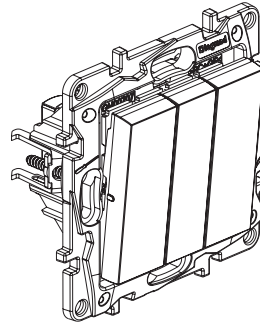


Niloé™ STEP
Lighting controls

Cat. No(s): 8 63X 02/ 03



8 63X 02



8 63X 03

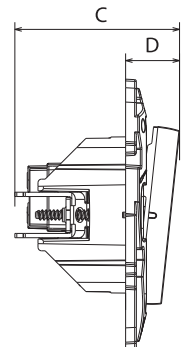
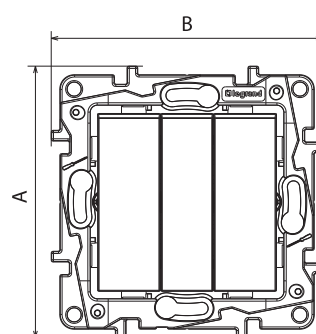
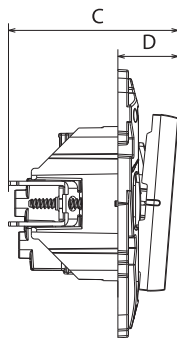
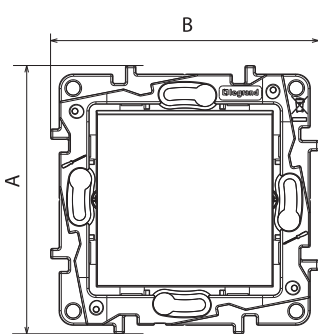
1. USE

Lighting controls mechanisms 8 63X 02 10 AX - 250 V~.
 Lighting controls mechanisms 8 63X 03 20 AX - 250 V~.
 Mechanisms supplied with protection cover.
 To be equipped with plates one or several gangs.
 Flush-mounting or surface-mounting.
 Screw or claw fixing.

2. RANGE

Description	White	Aluminium	Black
One-gang, 2P switch	8 631 02	8 633 02	8 635 02
Three-gang one-way switch	8 631 03	8 633 03	8 635 03

3. DIMENSIONS (mm)



A	B	C	D
75,8	75,8	48	17,1

A	B	C	D
75,8	75,8	46	15,1

4. CONNECTION

Type of terminals: screw
Stripping length: 10 mm
Capacity: 2 x 2.5 mm²
Flexible or rigid cables compatible

5. TECHNICAL CHARACTERISTICS

■ 5.1 Mechanical characteristics

Protection against solid bodies and liquids: IP 20
Protection against impact: IK 04

■ 5.2 Material characteristics

Mechanism housing: PC
Rocker plate: ABS
Halogen-free
UV-resistant

Claws: steel

Support: PC + GF
Halogen-free

Self-extinguishing:

850°C/30 s for insulating components holding live parts in place
650°C/30 s for other insulating components

■ 5.3 Electrical characteristics

Voltage: 250 V~
Current: 8 63X 02 10 AX, 8 63X 03 20 AX
Frequency: 50/60 Hz
Maximum power on integrated ballast lamps: 100 W

■ 5.4 Climate characteristics

Storage temperature: -10°C to +70°C
Usage temperature: -5°C to +35°C

6. MAINTENANCE

Surface cleaning with a cloth.

Do not use: acetone, tar remover, trichloroethylene.

Maintenance with the following products:

Hexane (EN 60669-1), methylated spirit, soapy water, diluted ammonia, pure bleach diluted to 10%, window-cleaning products.

Caution: Always test before using other special cleaning products

7. STANDARDS AND APPROVALS

Compliant with installation and manufacturing standards.
See e. catalogue.