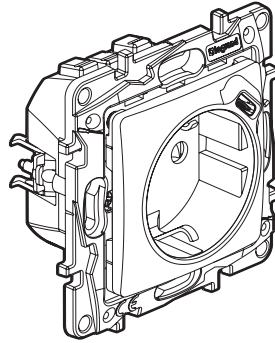


# Niloé™ Step

## 2 P+E + USB Type C mixed socket outlet

### German Standard

Cat. Nos: 8 641 27 - 8 643 27 - 8 645 27 - 8 646 27



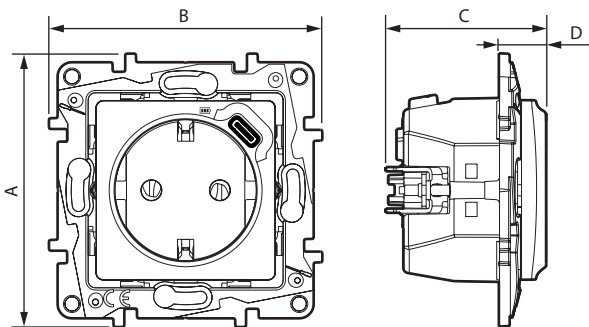
#### 1. USE

2 P+E socket outlets with child protection.  
 USB Type C socket: for recharging portable devices such as phones, smartphones, tablets, MP3, MP4, loudspeakers, watches, game consoles, powerbanks.  
 Recessed mounting in box depth 40 mm min (Multi-station compatible box).  
 Fixing with screws and/or claws.

#### 2. RANGE

Description	White	Aluminium	Black	Sand
Mixed socket composed of: - 2 P+E socket - 16 A - 250 V~ - single USB socket - 5 V= - 1.5 A - 7.5 W Supplied with support and cover plate. German standard	8 641 27	8 643 27	8 645 27	8 646 27

#### 3. DIMENSIONS (mm)



A	B	C	D
76	76	44.5	13

#### 4. CONNECTION

- **4.1 2 P+E socket outlet**  
 Type of terminals: automatics  
 Terminal capacity: 6 x 2.5 mm<sup>2</sup>  
 Stripping length: 11 mm  
 Flexible or rigid cables compatible
- **4.2 USB socket type C**  
 Prewired socket

#### 5. TECHNICAL CHARACTERISTICS

- **5.1 Mechanical characteristics**  
 Protection against impact: IK 04  
 Protection against solid bodies and liquids: IP 40
  - **5.2 Material characteristics**  
 Mechanism casing: PC  
 Cover plate: painted PC  
 Support: PC grey RAL 7016 + metal  
 Claws: Steel  
 Halogen-free  
 UV-resistant
  - Self-extinguishing:  
 850°C/30 s for insulating components holding live parts in place.  
 650°C/30 s for other insulating components.
  - **5.3 Electrical characteristics 2 P+E socket**  
 Voltage: 250 V~  
 Current: 16 A  
 Frequency: 50/60 Hz
  - **5.4 Electrical characteristics USB socket**  
 Integrated surge protection
- All values listed below are measured at an ambient temperature of + 25° and after 15 minutes of operation.
- |                                            |                  |
|--------------------------------------------|------------------|
| Connector                                  | USB Type C       |
| Nominal input voltage                      | 250 V~           |
| Nominal input frequency                    | 50-60 Hz         |
| Nominal input current                      | 200 mA           |
| Standby power consumption                  | 0.07 W - 0.075 W |
| Average active efficiency                  | 82 %             |
| Nominal output voltage                     | 5 V=             |
| Nominal output current                     | 1.5 A            |
| Efficiency can meet energy star level "VI" |                  |
| Protection class                           | II - Low voltage |
- **5.5 Climate characteristics**  
 Storage temperature: -10°C to +70°C  
 Use temperature: -5°C to +35°C

## 6. CLEANING

Surface cleaning with a cloth.  
Do not use: acetone, tar remover, trichlorethylene.

**Caution:** Always test before using special cleaning products.

## 7. STANDARDS AND APPROVALS

Compliant with installation and manufacturing standards.  
See e-catalogue.