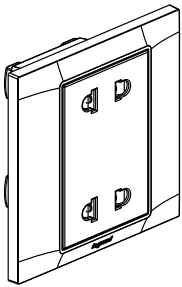
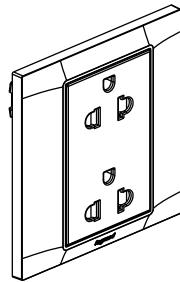


Belanko™ S 15A EURO/US Socket

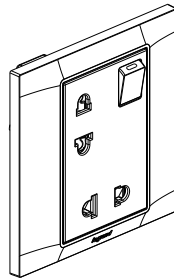
Cat. No(s): 6 17X 62/64/90



6 17X 62



6 17X 64



6 17X 90

CONTENTS

1. Use.....1
2. Range.....1
3. Preparation.....1
4. Overall dimensions.....1
5. Connection.....2
6. Technical characteristics.....2
7. Cleaning.....2
8. Conformity - Approvals.....2

1. USE

One gang 2X2P EURO/US socket outlets designed for 15A plug.
(Supplied with M3.5 screws for BS boxes. Flush mounting or surface mounting.)

2. RANGE

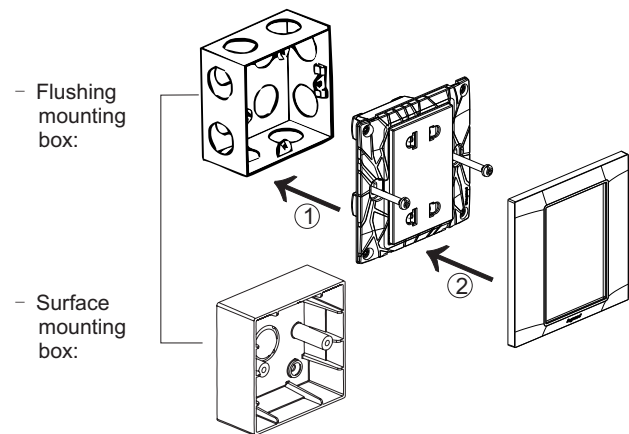
	Designation	Cat. No.	Weight(g)
	1G 2X2P EURO-US SOCKET	6 17X 62	78.3
	1G SOCKET 2X2P+E EURO/US	6 17X 64	90.6
	1G 2X2P EURO/US SWTD SOCKET	6 17X 90	90.1

Colours

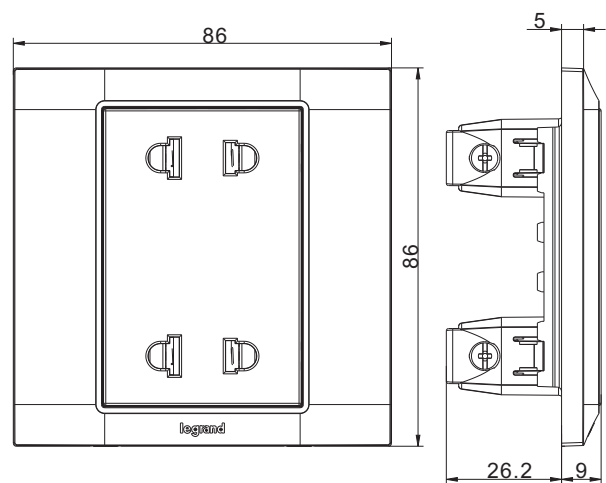
- Front: white/anthracite/ivory
- Rear: white/anthracite/ivory
- 6 176 XX White
- 6 177 XX Anthracite
- 6 178 XX Ivory

3. PREPARATION

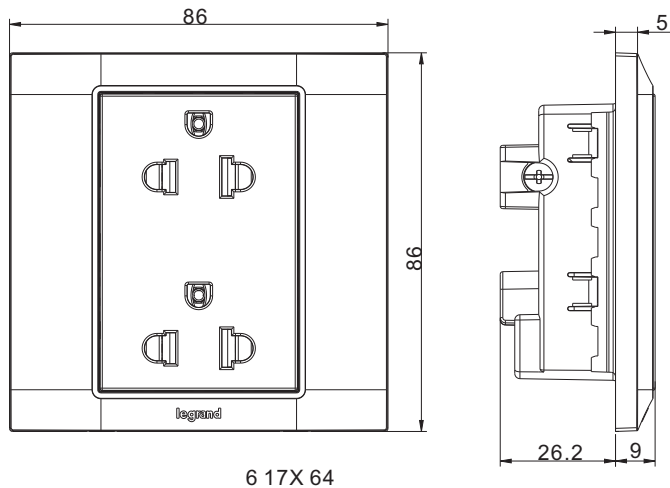
3.1 General preparation



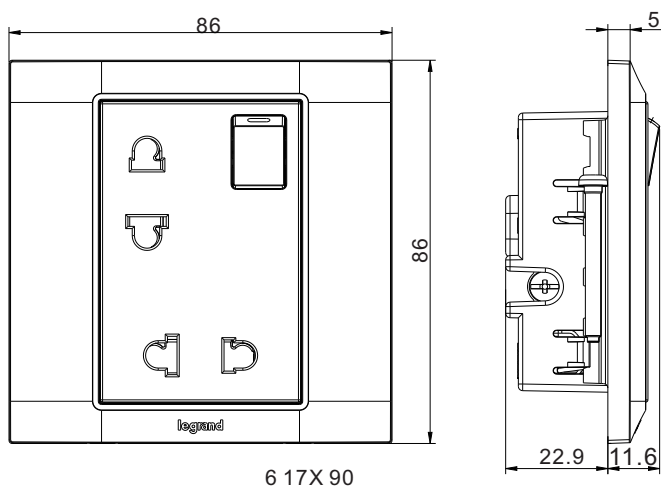
4. OVERALL DIMENSIONS



6 17X 62



6 17X 64



6 17X 90

Profile Size: 86×86mm
Distance of installation hole: 60.3 mm
Minimum depth of the box>35 mm

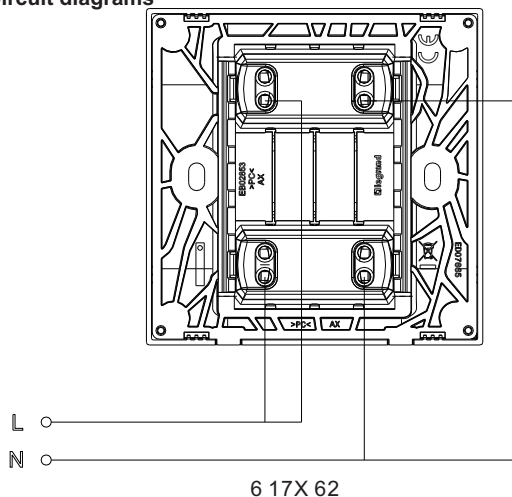
5. CONNECTION

5.1 Terminals

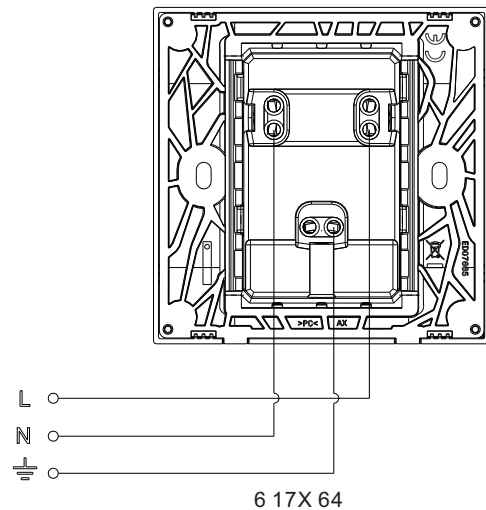
The type of Terminals : plaquette terminal
Terminal capacity: 2 × 2.5 mm²
2 × 4 mm²
2 × 6 mm²

Recommended screwdriver size: <4 mm flat blade
Recommended stripping length: 8 mm
Recommended terminal tightening torque: 0.5Nm

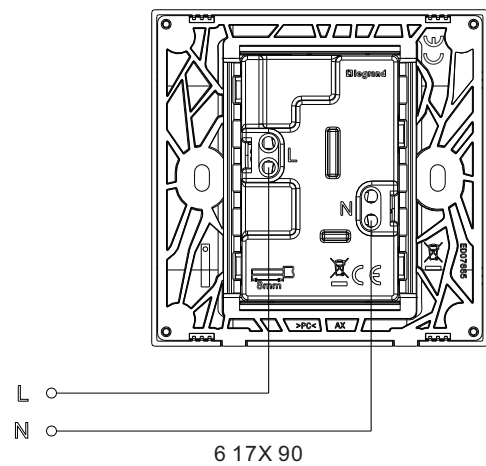
5.2 Circuit diagrams



6 17X 62



6 17X 64



6 17X 90

6. TECHNICAL CHARACTERISTICS

6.1 Material characteristics

Rocker: Polycarbonate
Frame: Polycarbonate
Base: PC
Self-extinguishing:
+ 850° C / 30 s for insulating parts holding live parts in place
+ 650° C / 30 s for other parts made of insulating materials

6.2 Electrical characteristics

US socket:
Voltage: 127V~ Current: 15A
EURO socket:
Voltage: 250V~ Current: 16A

6.3 Climatic characteristics

Storage temperatures: -10°C to +70°C
Operating temperatures: -5°C to +50°C

6.4 Mechanical characteristics

Impact test: IK04
Protection against solids & liquids: IP20

7. CLEANING

Surface cleaning with a soft, slightly damp cloth.
Do not use: acetone, tar remover, trichloroethylene

8. CONFORMITY - APPROVALS

Compliance with installation and manufacturing standards.
Refer to e-catalogue.