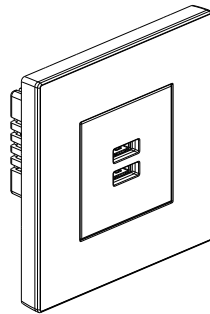


Galion™ USB Charger

Cat. No(s): 2 824 47/47m
K8/USB/u2



2 824 47/47m
K8/USB/u2

CONTENTS

1. Use.....	1
2. Range.....	1
3. Preparation.....	1
4. Overall dimensions.....	1
5. Connection.....	2
6. Technical characteristics.....	2
7. Cleaning.....	2
8. Conformity - Approvals.....	2

1. USE

USB charger.
(Supplied with M3.5 screws for BS boxes. Flush mounting or Surface mounting.)

2. RANGE

	Designation	Cat. No.	Weight (g)	Characteristics
	Double USB Charger TypeA 2.4A	2 824 47/47m K8/USB/u2	72.1	5V 2.4A

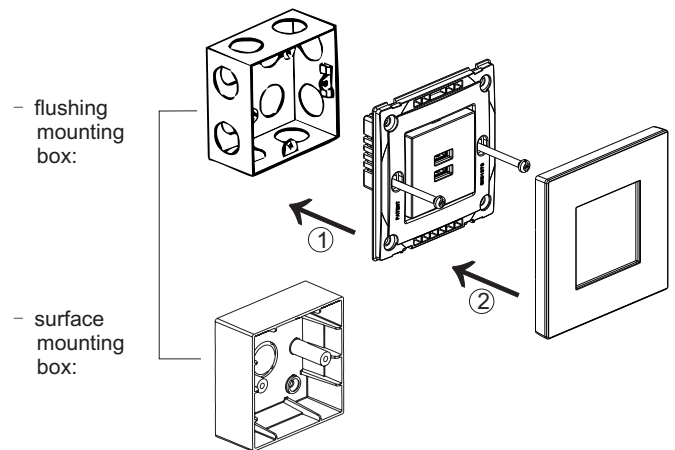
Colours

- front: white/rose golden/champagne/dark silver
- rear: white/rose golden/champagne/dark silver

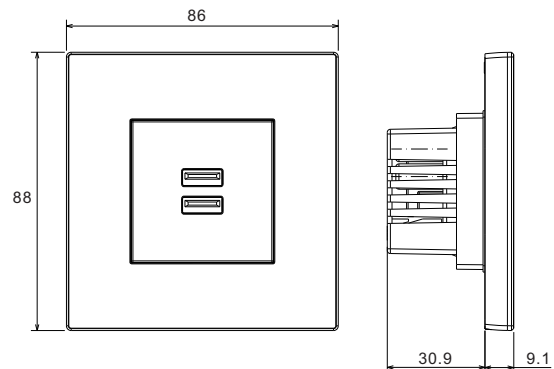
- X XXX XX white
- X XXX XX-C matt black
- X XXX XX-C1 rose golden
- X XXX XX-C2 champagne
- X XXX XX-C3 dark silver

3. PREPARATION

3.1 General preparation



4. OVERALL DIMENSIONS



Profile Size: 86×88 mm
Distance of installation hole: 60.3 mm
Minimum depth of the box>35 mm

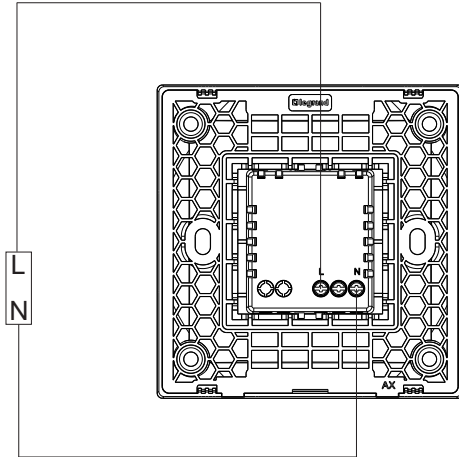
5. CONNECTION

5.1 Terminals

Terminal capacity: 3 X 1 mm²
 2 X 1.5 mm²
 1 X 2.5 mm²
 1 X 4 mm²

Recommended screwdriver size: 4 mm flat blade
 Recommended stripping length: 12 mm
 Recommended terminal tightening torque: 0.5Nm

5.2 Circuit diagrams



7. CLEANING

Surface cleaning with a soft, slightly damp cloth.
 Do not use: acetone, tar remover, trichloroethylene

8. CONFORMITY - APPROVALS

Conform to IEC 62368-1

6. TECHNICAL CHARACTERISTICS

6.1 Material characteristics

Plate: Polycarbonate
 Frame: Polycarbonate
 Base: Polycarbonate
 Self-extinguishing:
 + 850° C / 30 s for insulating parts holding live parts in place
 + 650° C / 30 s for other parts made of insulating materials

6.2 Electrical characteristics

Nominal input voltage	100-240V~
Nominal input frequency	50-60 Hz
Power consumption	12 W
Maximum input current	300 mA
Maximum power consumption in standby	0.075 W
Power average efficiency	79.2%
Nominal output voltage	5V---
Maximum output current Type-A+Type-A	2.4A shared on 2XA output
Classe de consommation hors charge et niveau moyen d'efficacité: Niveau VI*	
Classe de protection	II - Basse tension

*Nota: European Regulation No. 278/2009 of 6 April 2009, Directive 2005/32/EC on eco-design requirements for AC/DC power supplies.

6.3 Climatic characteristics

Storage temperatures: -10°C to +70°C
 Operating temperatures: -5°C to +45°C

6.4 Mechanical characteristics

Impact test: Ik04
 Protection against liquids: Ip20