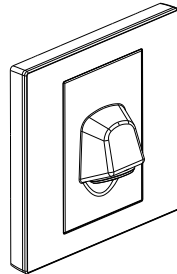


# Galion™ 20A Cable outlet

Cat. No(s): 2 824 52/52m  
K8/31TB-HK



2 824 52/52m  
K8/31TB-HK

### CONTENTS

1. Use.....	1
2. Range.....	1
3. Preparation.....	1
4. Overall dimensions.....	1
5. Connection.....	1
6. Technical characteristics.....	2
7. Cleaning.....	2
8. Conformity - Approvals.....	2

## 1. USE

Device to enable the connection of free-standing electrical appliances from the fixed wiring of the main installation.  
(Supplied with M3.5 screws for BS boxes. Flush mounting or Surface mounting.)

## 2. RANGE

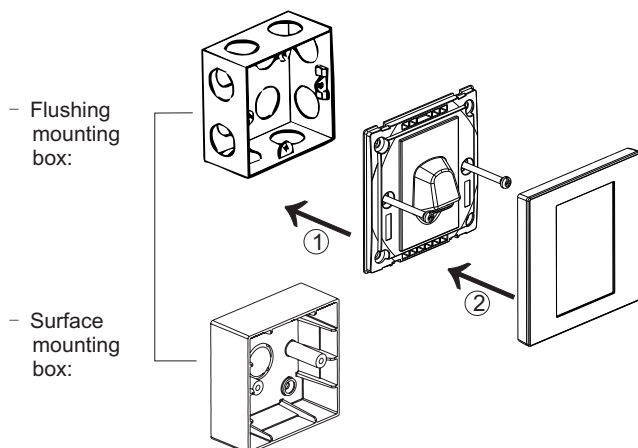
	Designation	Cat. No.	Weight (g)	Characteristics
	1G 20A Cable outlet	2 824 52/52m K8/31TB-HK	72.3	20A 250V~

## Colours

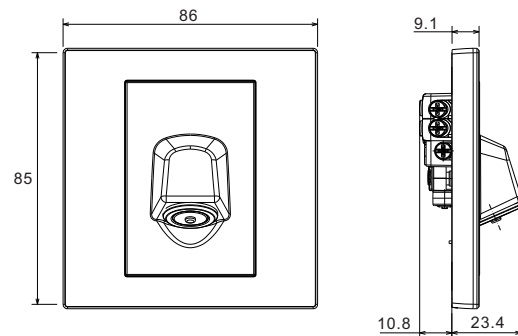
- Front: white/rose golden/champagne/dark silver
- Rear: white/rose golden/champagne/dark silver
- X XXX XX White
- X XXX XX-C Matt black
- X XXX XX-C1 Rose golden
- X XXX XX-C2 Champagne
- X XXX XX-C3 Dark silver

## 3. PREPARATION

### 3.1 General preparation



## 4. OVERALL DIMENSIONS



Profile Size: 86×85 mm  
Distance of installation hole: 60.3 mm

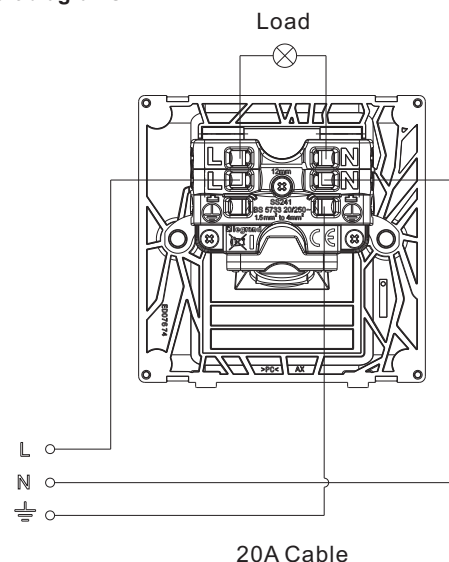
## 5. CONNECTION

### 5.1 Terminals

Terminal capacity: 4 × 2.5 mm<sup>2</sup>  
2 × 4 mm<sup>2</sup>  
1 × 6 mm<sup>2</sup>

Recommended screwdriver size: 5 mm flat blade  
Recommended stripping length: 12 mm  
Recommended terminal tightening torque: 0.8Nm

### 5.2 Circuit diagrams



## 6. TECHNICAL CHARACTERISTICS

### 6.1 Material characteristics

Rocker: Polycarbonate

Frame: Polycarbonate

Base: Polyamide

Self-extinguishing:

+ 850° C / 30 s for insulating parts holding live parts in place

+ 650° C / 30 s for other parts made of insulating materials

### 6.2 Climatic characteristics

Storage temperatures: -10°C to +70°C

Operating temperatures: -5°C to +50°C

### 6.3 Mechanical characteristics

Impact test: IK04

Protection against liquids: IP40

## 7. CLEANING

Surface cleaning with a soft, slightly damp cloth.

Do not use: acetone, tar remover, trichloroethylene

## 8. CONFORMITY - APPROVALS

Conform to BS 5733