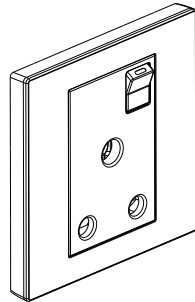


# Galion™ 15A/5A Switched socket

Cat. No(s): 2 824 37/37m/38



2 824 37/37m/38

## CONTENTS

1. Use.....	1
2. Range.....	1
3. Preparation.....	1
4. Overall dimensions.....	1
5. Connection.....	2
6. Operation.....	2
7. Technical characteristics.....	2
8. Cleaning.....	2
9. Conformity - Approvals.....	2

## 1. USE

Switched socket outlets designed for 5A/15A plugs.  
(Supplied with M3.5 screws for BS boxes. Flush mounting or Surface mounting.)

## 2. RANGE

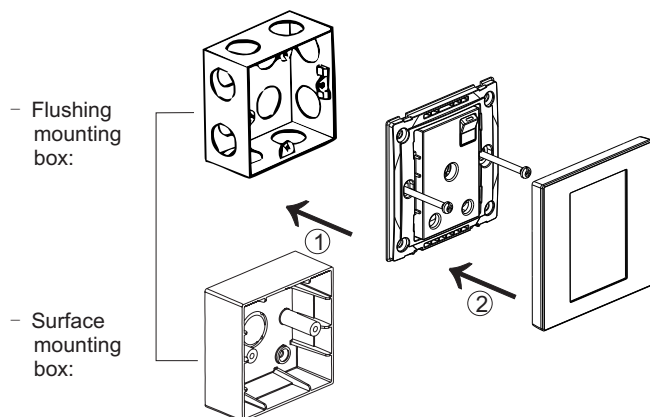
	Designation	Cat. No.	Weight (g)	Characteristics
	15A Switched Socket	2 824 37/37m	51.5	15 A - 250VAC
	5A Switched Socket	2 824 38	50.7	5 A - 250VAC

## Colours

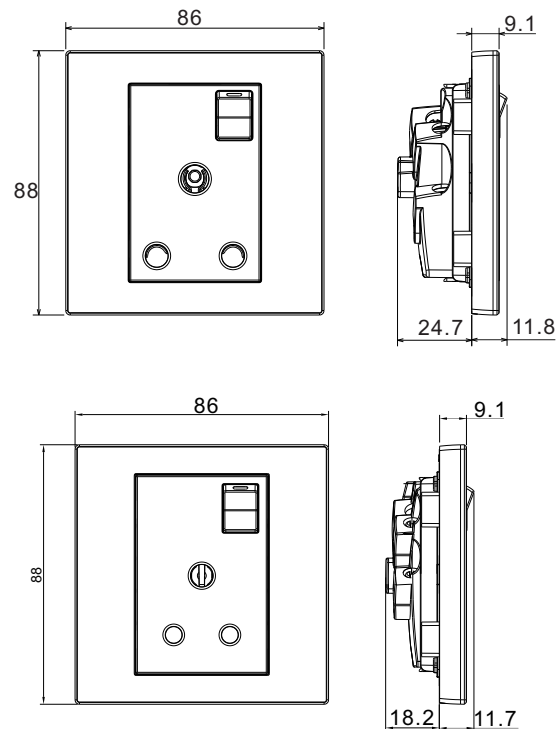
- Front: white/rose golden/champagne/dark silver
- Rear: white/rose golden/champagne/dark silver
- X XXX XX White
- X XXX XX-C Matt black
- X XXX XX-C1 Rose golden
- X XXX XX-C2 Champagne
- X XXX XX-C3 Dark silver

## 3. PREPARATION

### 3.1 General preparation



## 4. OVERALL DIMENSIONS



Profile Size: 86×88 mm  
Distance of installation hole: 60.3 mm  
Minimum depth of the box>35 mm

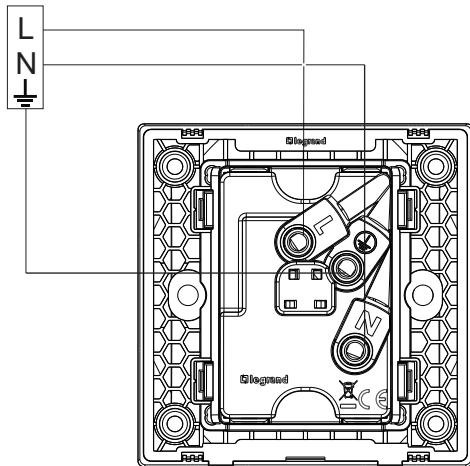
## 5. CONNECTION

### 5.1 Terminals

The type of Terminals : pillar terminal  
Terminal capacity: 3 × 1 mm<sup>2</sup>  
3 × 1.5 mm<sup>2</sup>  
2 × 2.5 mm<sup>2</sup>  
1 × 4 mm<sup>2</sup>  
1 × 6 mm<sup>2</sup>

Recommended screwdriver size: 4 mm flat blade  
Recommended stripping length: 12 mm

## 5.2 Circuit diagrams



## 6. OPERATION

Standard operation by insertion or withdrawal of a plug to normalized standard.

## 7. TECHNICAL CHARACTERISTICS

### 7.1 Material characteristics

Rocker: Polycarbonate

Frame: Polycarbonate

Base: Polyamide

Self-extinguishing:

+ 850° C / 30 s for insulating parts holding live parts in place

+ 650° C / 30 s for other parts made of insulating materials

### 7.2 Electrical characteristics

Voltage: 250VAC

Current: 5A/15A

### 7.3 Climatic characteristics

Storage temperatures: -10°C to +70°C

Operating temperatures: -5°C to +50°C

### 7.4 Mechanical characteristics

Impact test: IK04

Protection against liquids: IP20

## 8. CLEANING

Surface cleaning with a soft, slightly damp cloth.

Do not use: acetone, tar remover, trichloroethylene

## 9. CONFORMITY - APPROVALS

Conform to IEC 60884-1, BS 546, MS 1577, SS472.