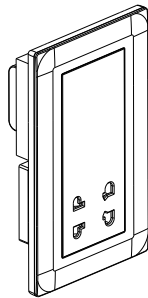


Galion™ Shaver socket

Cat. No(s): 2 824 39



2 824 39/39M

CONTENTS

1. Use.....	1
2. Range.....	1
3. Preparation.....	1
4. Overall dimensions.....	1
5. Connection.....	2
6. Operation.....	2
7. Technical characteristics.....	2
8. Cleaning.....	2
9. Conformity - Approvals.....	2

1. USE

Device for the supply of electric shavers requiring either a 115V or 230V supply and having a power consumption not exceeding 20VA. Accepts the following types of plug: BS, Euro, US, Australian and Chinese.
(Supplied with M3.5 screws for BS boxes. Flush mounting or Surface mounting.)

2. RANGE

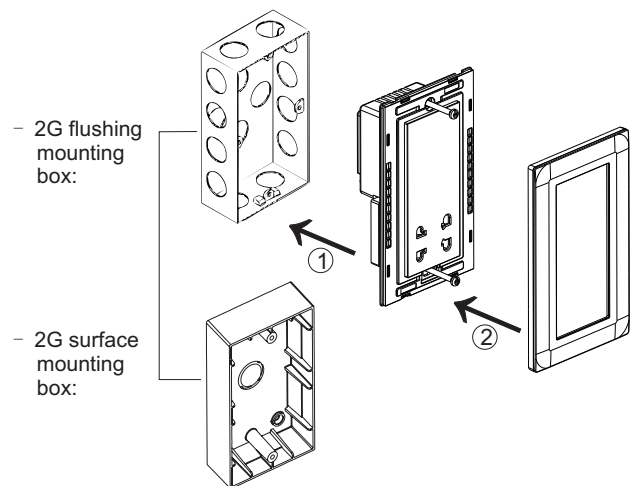
	Designation	Cat. No.	Weight (g)	Characteristics
	Shaver Socket	2 824 39/39M	505	

Colours

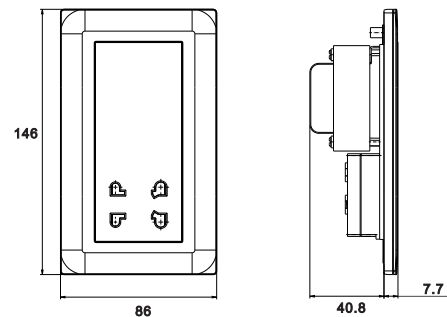
- front: white/rose golden/champagne/dark silver
- rear: white/rose golden/champagne/dark silver
- X XXX XX white
- X XXX XX-C matt black
- X XXX XX-C1 rose golden
- X XXX XX-C2 champagne
- X XXX XX-C3 dark silver

3. PREPARATION

3.1 General preparation



4. OVERALL DIMENSIONS



Profile Size: 86 × 146 mm
Distance of installation hole: 120.6 mm
Minimum depth of the box > 45 mm

5. CONNECTION

5.1 Terminals

The type of Terminals : pillar terminal

Terminal capacity: $3 \times 1 \text{ mm}^2$

$3 \times 1.5 \text{ mm}^2$

$2 \times 2.5 \text{ mm}^2$

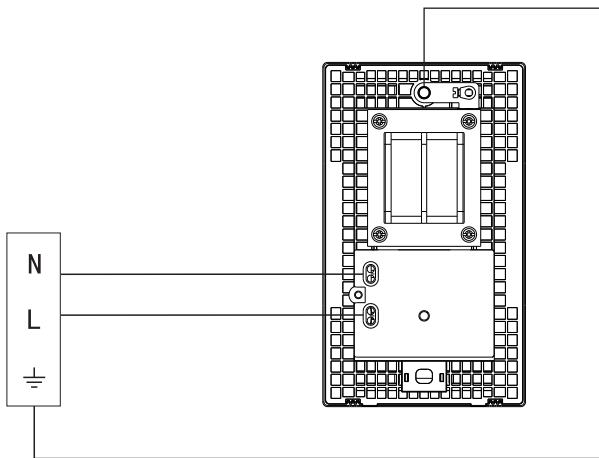
$1 \times 4 \text{ mm}^2$

Recommended screwdriver size: 4 mm flat blade

Recommended stripping length: 12 mm

Recommended terminal tightening torque: 0.5Nm

5.2 Circuit diagrams



6. OPERATION

Standard operation by insertion or withdrawal of a plug to normalized standard.

7. TECHNICAL CHARACTERISTICS

7.1 Material characteristics

Rocker: Polycarbonate

Frame: Polycarbonate

Base: Polyamide

Self-extinguishing:

+ 850° C / 30 s for insulating parts holding live parts in place

+ 650° C / 30 s for other parts made of insulating materials

7.2 Electrical characteristics

Isolating transformer.

Self-resetting overload cut-out which limits output to 20VA.

Voltage: Primary: 230V 50-60Hz

Secondary: 115V-230V 50-60Hz

Power: 20VA Max.

7.3 Climatic characteristics

Storage temperatures: -10°C to +70°C

Operating temperatures: -5°C to +50°C

7.4 Mechanical characteristics

Impact test: IK04

Protection against liquids: IP20

8. CLEANING

Surface cleaning with a soft, slightly damp cloth.

Do not use: acetone, tar remover, trichloroethylene

9. CONFORMITY - APPROVALS

Conform to BS EN 61 558-2-5