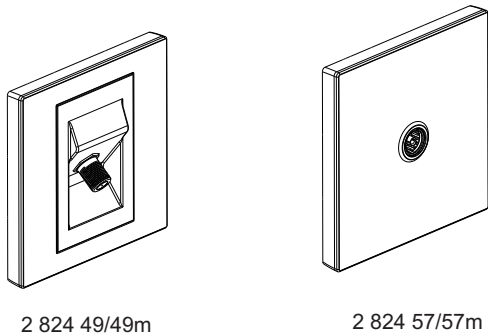


# Galion™ TV socket

Cat. No(s): 2 824 49/57/49m/57m



## CONTENTS

1. Use.....	1
2. Range.....	1
3. Preparation.....	1
4. Overall dimensions.....	1
5. Connection.....	2
6. Operation.....	2
7. Technical characteristics.....	2
8. Cleaning.....	2
9. Conformity - Approvals.....	2

## 1. USE

Socket outlets for supplying TV signals (analogue or digital).  
(Supplied with M3.5 screws for BS boxes. Flush mounting or Surface mounting.)

## 2. RANGE

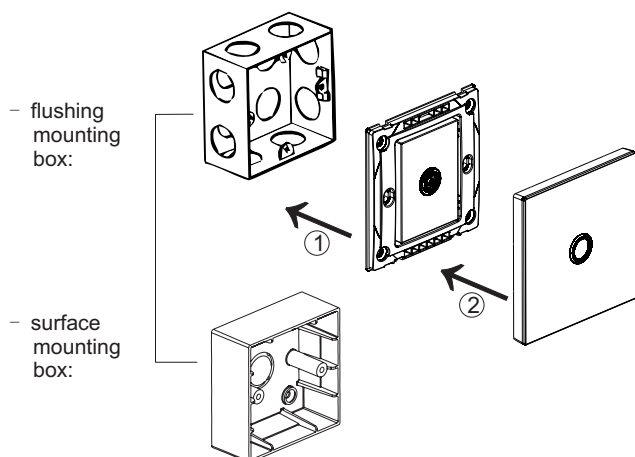
	Designation	Cat. No.	Weight (g)	Characteristics
	TV F Type Socket	2 824 49/49m	55.1	F Type connector
	TV FEMALE SOCKET	2 824 57/57m	63.9	φ 9.5mm Female

## Colours

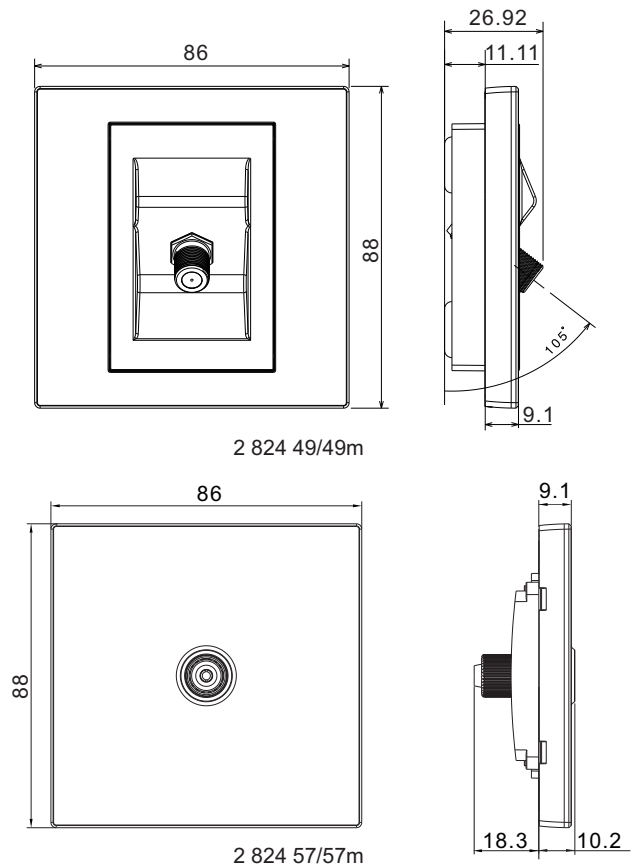
- front: white/rose golden/champagne/dark silver
- rear: white/rose golden/champagne/dark silver
- X XXX XX white
- X XXX XX-C matt black
- X XXX XX-C1 rose golden
- X XXX XX-C2 champagne
- X XXX XX-C3 dark silver

## 3. PREPARATION

### 3.1 General preparation



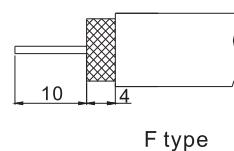
## 4. OVERALL DIMENSIONS

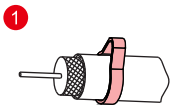


Profile Size: 86×88 mm  
Distance of installation hole: 60.3 mm  
Minimum depth of the box>25 mm

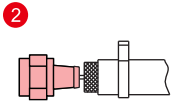
## 5. CONNECTION

### 5.1 F type Wiring

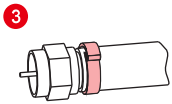




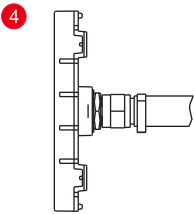
1 The accessory ferrule (supplied with the product) slide over the cable



2 Insert the metal foil with the isolation layer into F hole (supplied with the product)

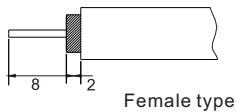


3 Push ferrule against the coaxial cable and crimp tightly with tools such as pliers



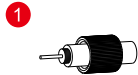
4 Insert the F hole with cable into the thread head of TV socket and screw tightly

### 5.2 Female type Wiring

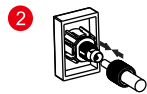


Female type

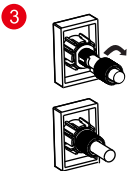
• Connection



1 Combine the cap into the stripped cable and keep the tread outside.



2 Insert the cable head in to the thread of TV socket and ensure the end of TV socket inside the isolation layer



3 Screw the cap tightly

## 6. OPERATION

Standard operation by insertion or withdrawal of a TV plug.

## 7. TECHNICAL CHARACTERISTICS

### 7.1 Material characteristics

Cover plate: Polycarbonate  
Frame: Polycarbonate  
Self-extinguishing:  
+ 850° C / 30 s for insulating parts holding live parts in place  
+ 650° C / 30 s for other parts made of insulating materials

### 7.2 Electrical characteristic

- Frequency bandwidth: 5-1000MHz
- Impedance: 75Ω
- Proof Voltage: 750V
- Attenuation: 5-300MHz ≤ 0.5db  
300-1000MHz ≤ 1db
- Cable core diameter : 1mm
- Max incoming cable diameter < 7.5mm

### 7.3 Climatic characteristics

Storage temperatures: -10°C to +70°C  
Operating temperatures: -5°C to +50°C

### 7.4 Mechanical characteristics

Impact test: IK04  
Protection against liquids: IP20

## 8. CLEANING

Surface cleaning with a soft, slightly damp cloth.  
Do not use: acetone, tar remover, trichloroethylene

## 9. CONFORMITY – APPROVALS

Conform to IEC 61169-24.