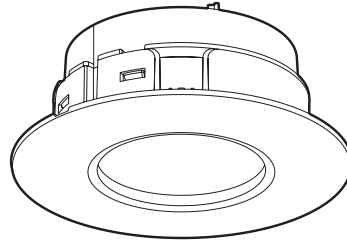


## Modul'up™ IP44 Spotlight with variable LEDs

Cat. No(s): 0 885 30



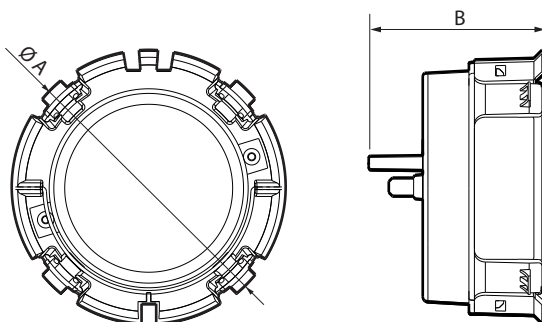
### 1. USE

Spotlight with variable LEDs.  
 120° light diffuser.  
 Can be controlled by a standard lighting control or wireless lighting control, single or dual control, IR detector (in combination with micromodule lighting receiver).  
 Mounting in Modul'up box for false ceiling Cat. No 0 885 00.

### 2. RANGE

Description	Reference
Spotlight with variable LEDs: 2 x 14 LEDs: with hot light selector or with cold light selector Delivered with white cover	0 885 30

### 3. DIMENSIONS (mm)



Ø A	B
93	48

### 4. CONNECTION

Tool-free automatic connection by simply plugging into the Modul'up box (0 885 00).

### 5. TECHNICAL CHARACTERISTICS

#### ■ 5.1 Mechanical characteristics

Protection against impacts: IK 04  
 Protection against solid bodies/liquids: IP 44  
 with Modul'up box Cat. No 0 885 00

#### ■ 5.2 Electrical characteristics

Casing: PC  
 Diffuser PC  
 Cover: PC White RAL 9003

UV resistance  
 Halogen-free

#### Self-extinguishing:

850°C/30 s for insulating parts holding live parts in place  
 650°C/30 s for other parts made of insulating materials

#### ■ 5.3 Caractéristiques électriques

Voltage: 220/240 VAC  
 Frequency: 50/60 Hz  
 Power: 5.5 W  
 Luminous flux: 500 lm  
 Lifetime > 30000 hours  
 Energy efficiency class A +  
 Integrated surge protection  
 Class II

#### ■ 5.4 Climate characteristics

Storage temperature: -10°C to +70°C  
 Usage temperature: -5°C to +25°C

### 6. CARE

Clean the surface with a cloth.  
 Do not use acetone, tar-removing cleaning agents or trichloroethylene.

**Caution:** Always test before using special cleaning products.

### 7. STANDARDS AND APPROVALS

Compliant with installation and manufacturing standards.  
 See e-catalogue.

### 8. ACCESSORIES

0 885 38: Titane cover  
 0 885 39: Aluminium cover