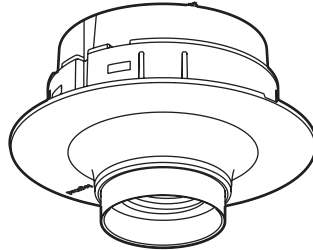


Modul'up™
E27 base

Cat. No(s): 0 885 23



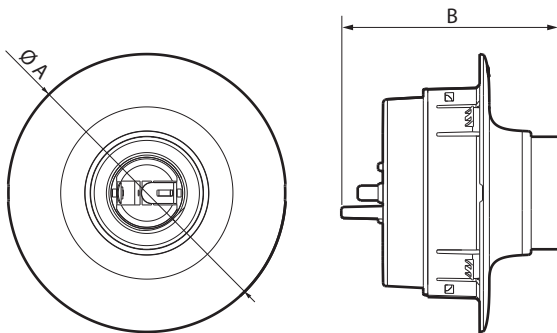
1. USE

Lampholder for standard or connected E27 bulb.
 Perfectly suited for energy saving lamps.
 Does not work if the switch is off.

2. RANGE

Description	Reference
E27 base	0 885 23

3. DIMENSIONS (mm)



Ø A	B
93	73

4. CONNECTION

Tool-free automatic connection by simply plugging into the Modul'up box (0 885 00).

5. TECHNICAL CHARACTERISTICS

■ **5.1 Mechanical characteristics**

Protection against impacts: IK 04
 Protection against solid/bodies and liquids: IP 20

■ **5.2 Material characteristics**

Casing: Black PC + White PBT
 Cover plate: White PC

UV resistance
 Halogen free

■ **Self-extinguishing:**

850° C / 30 s for insulating parts holding live parts in place
 650° C / 30 s for other parts made of insulating materials

■ **5.3 Electrical characteristics**

Voltage: 250 V~
 Power: 40 W
 Frequency: 50/60 Hz

■ **5.4 Climate characteristics**

Storage temperature: - 10° C to + 70° C
 Use temperature: - 5° C to + 35° C

6. CARE

Clean the surface with a cloth.
 Do not use acetone, tar-removing cleaning agents or trichloroethylene.

Caution: Always test before using special cleaning products.

7. STANDARDS AND APPROVALS

Compliant with installation and manufacturing standards.
 See e-catalogue.