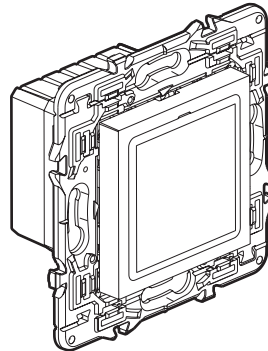


Valena Next™ Markup light

Cat. No(s): 7 412 83



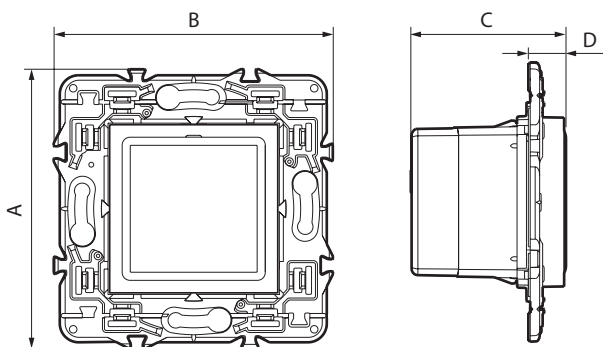
1. USE

Signalling devices with LEDS lighting.
 Flush-mounted in box depth 40 mm min.
 Screw fixing.

2. RANGE

Description	White
Signalling device delivered with support frame and opalescent cover plate. A choice of 2 power levels. Signs with white LEDs. Delivered with protective shell. 2 modules	7 412 83

3. DIMENSIONS (mm)



A	B	C	D
74	74	41	10

4. CONNECTION

Type of terminals: with screws
 Terminals capacity: 2 x 1.5 mm²
 Stripping length: 8 mm
 Screwdriver: flat 3.5 mm
 Flexible or rigid cables compatible

5. TECHNICAL CHARACTERISTICS

■ 5.1 Mechanical characteristics

Protection against impacts: IK 04
 Protection against solide bodies and liquids: IP 41 (mounted product)

■ 5.2 Material characteristics

Diffuser: ABS Opalescent white
 Mechanism casing: PC
 Support frame: Grey PC RAL 7037

Halogen free
 UV resistant

Self-extinguishing:

850° C / 30 s for insulating parts holding live parts in place.
 650° C / 30 s for other parts made of insulating materials.

■ 5.3 Electrical characteristics

Voltge: 230 V~
 Power: 0.2 W or 1 W
 Frequency: 50/60 Hz

■ 5.4 Climate characteristics

Storage temperature: - 10° C to + 70° C
 Use temperature: - 5° C to + 35° C

6. CLEANING

Surface cleaning with a cloth.
 Do not use: acetone, tar remover, trichloroethylene.

Caution: A preliminary test should be carried out if other specific cleaning products are to be used.

7. STANDARDS AND APPROVALS

Compliant with installation and manufacturing standards.
 See e-catalogue.