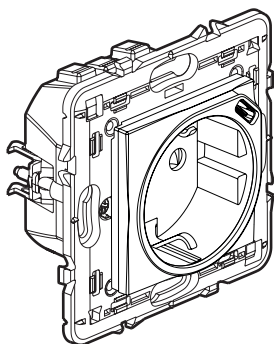
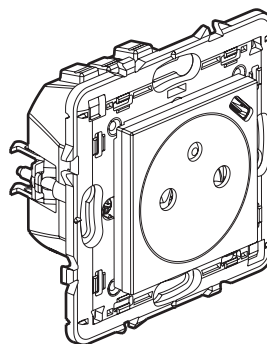


Valena Next™ 2 P+E + USB Type C mixed socket outlet

Cat. Nos: 7 412 34 - 7 413 34 - 7 414 34
 7 415 37 - 7 416 37 - 7 417 37



7 412 34



7 415 37

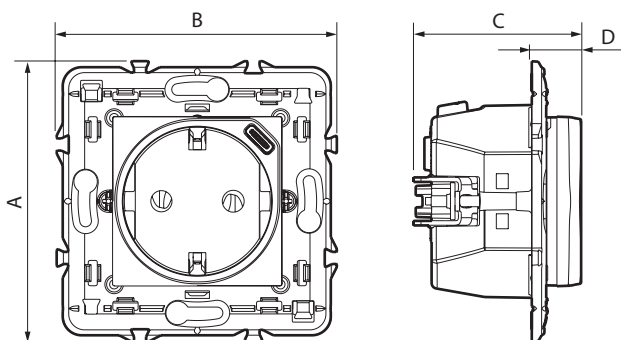
1. USE

2 P+E socket outlets with child protection.
 USB Type C socket: for recharging portable devices such as phones, smartphones, tablets, MP3, MP4, loudspeakers, watches, game consoles, powerbanks.
 Recessed mounting in box depth 40 mm min.
 Fixing with screws and/or claws.

2. RANGE

Description French standard	White	Aluminium	Dark
Mixed socket composed of: - 2 P+E socket flush surface - 16 A - 250 V~ - single USB socket - 5 V~ - 1.5 A - 7.5 W Supplied with support (spacing 71 mm) and cover plate	7 415 37	7 416 37	7 417 37
Description German standard	White	Aluminium	Dark
Mixed socket composed of: - 2 P+E socket outlet - 16 A - 250 V~ - 7.5 W - single USB socket - 5 V~ - 1.5 A Supplied with support (spacing 71 mm) and cover plate	7 412 34	7 413 34	7 414 34

3. DIMENSIONS (mm)



References	A	B	C	D
7 412 34 - 7 413 34 - 7 414 34	74	74	44,5	13
7 415 37 - 7 416 37 - 7 417 37	74	74	41,5	10

4. CONNECTION

- **4.1 2 P+E socket outlet**
 Type of terminals: automatics
 Terminal capacity: 6 x 2.5 mm²
 Stripping length: 11 mm
 Flexible or rigid cables compatible
- **4.2 Type C USB socket**
 Prewired socket

5. TECHNICAL CHARACTERISTICS

- **5.1 Mechanical characteristics**
 Protection against impact: IK 04
 Protection against solid bodies and liquids: IP 40
- **5.2 Material characteristics**
 Colour: - White RAL 9003
 - Aluminium painted satin appearance
 - Dark painted satin appearance
 Material: - Cover plate: ABS
 - Mechanism casing: PC
 - Grid: 6.6 PC + Galfan steel RAL 7016
 - Claws: Steel

Halogen free
 UV resistant
 Self-extinguishing:
 850° C / 30 s for insulating parts holding live parts in place
 650° C / 30 s for other parts made of insulating materials.

- **5.3 Electrical characteristics 2 P+E socket**
 Voltage: 250 V~
 Current: 16 A
 Frequency: 50/60 Hz

5. TECHNICAL CHARACTERISTICS *(continued)*

■ 5.4 Electrical characteristics USB socket

Integrated surge protection

All values listed below are measured at an ambient temperature of + 25° and after 15 minutes of operation.

Connector	USB Type C
Nominal input voltage	100-240 V~
Nominal input frequency	50-60 Hz
Nominal input current	200 mA
Stand-by power consumption	0.07 W - 0.075 mA
Nominal output voltage	5 V=
Nominal output current	1.5 A
Efficiency can meet energy star level "VI" (≥ 76% measured at USB socket output side)	
Safety standard	EN62368-1
Protection class	II - Low voltage

■ 5.5 Climatic characteristics

Storage temperature: - 10° C to + 70° C

Use temperature: - 5° C to + 35° C

6. CLEANING

Surface cleaning with a cloth.

Do not use: acetone, tar remover, trichlorethylene.

Caution: A preliminary test should be carried out if other specific cleaning products are to be used.

7. STANDARDS AND APPROVALS

Compliant with installation and manufacturing standards.

See e-catalogue.