

CONTENTS

Page

1. Description, use	1
2. Range	6
3. Dimensions.....	6
4. General characteristics	6
5. Compliance and approvals.....	6
6. Installation add-ons.....	7

1. DESCRIPTION, USE

Boxes for creating a flush-mounted housing service duct in a technical electrical space which can accommodate 13-module cabinets (1 or 2-row boxes) or 18-module cabinets (1-row box), control panels and a home connection centre.

For installation in dry partition walls.

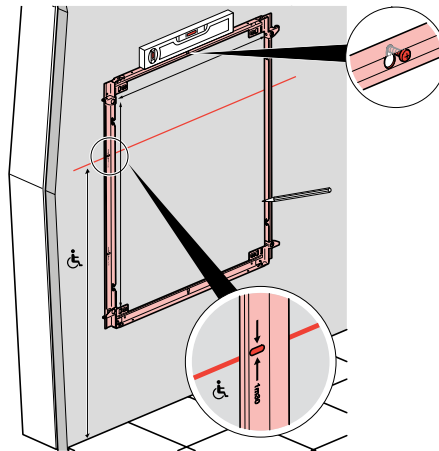
These boxes can be equipped with doors and reversible flaps.

■ 1.1 Installing the surround

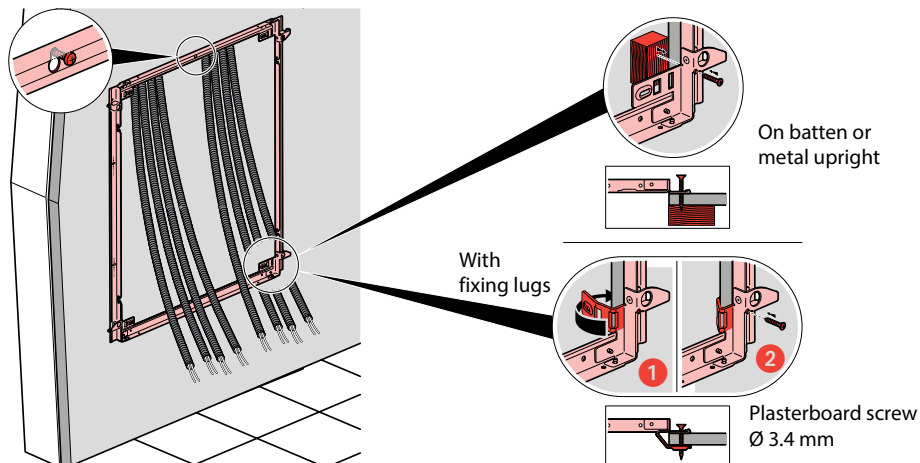
The surround makes it easier to cut out the wall, align and install the box

Wall cut-out dimensions

Cat. No.	W (±3 mm)	H (±3 mm)
4 014 41	280	980
4 014 42		1105
4 014 43		1230
4 014 44	385	980
4 014 45		1105
4 014 46		1230
4 014 47	530	630
4 014 48		755
4 014 49		880



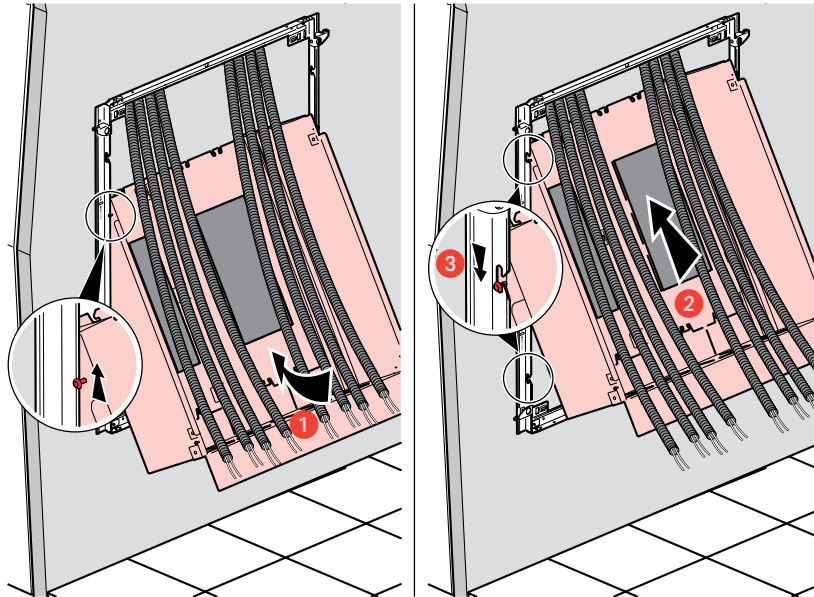
Installing the surround



1. DESCRIPTION, USE (continued)

■ 1.2 Installing the box

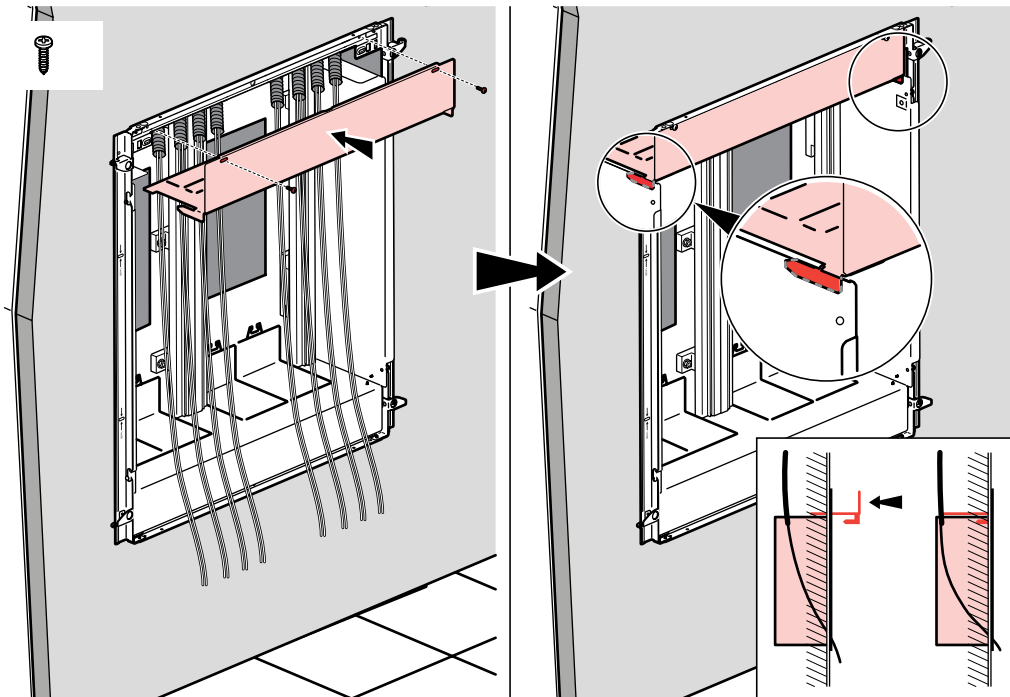
a) After removing the cable entry plate, slide the ducts into the box



b) Fit rivets at the top of the box, balancing it against the surround uprights, then finish assembling the bottom of the box.

■ 1.3 Installing the cable entry plate and screwing in place

The cable entry plates have cut-outs.

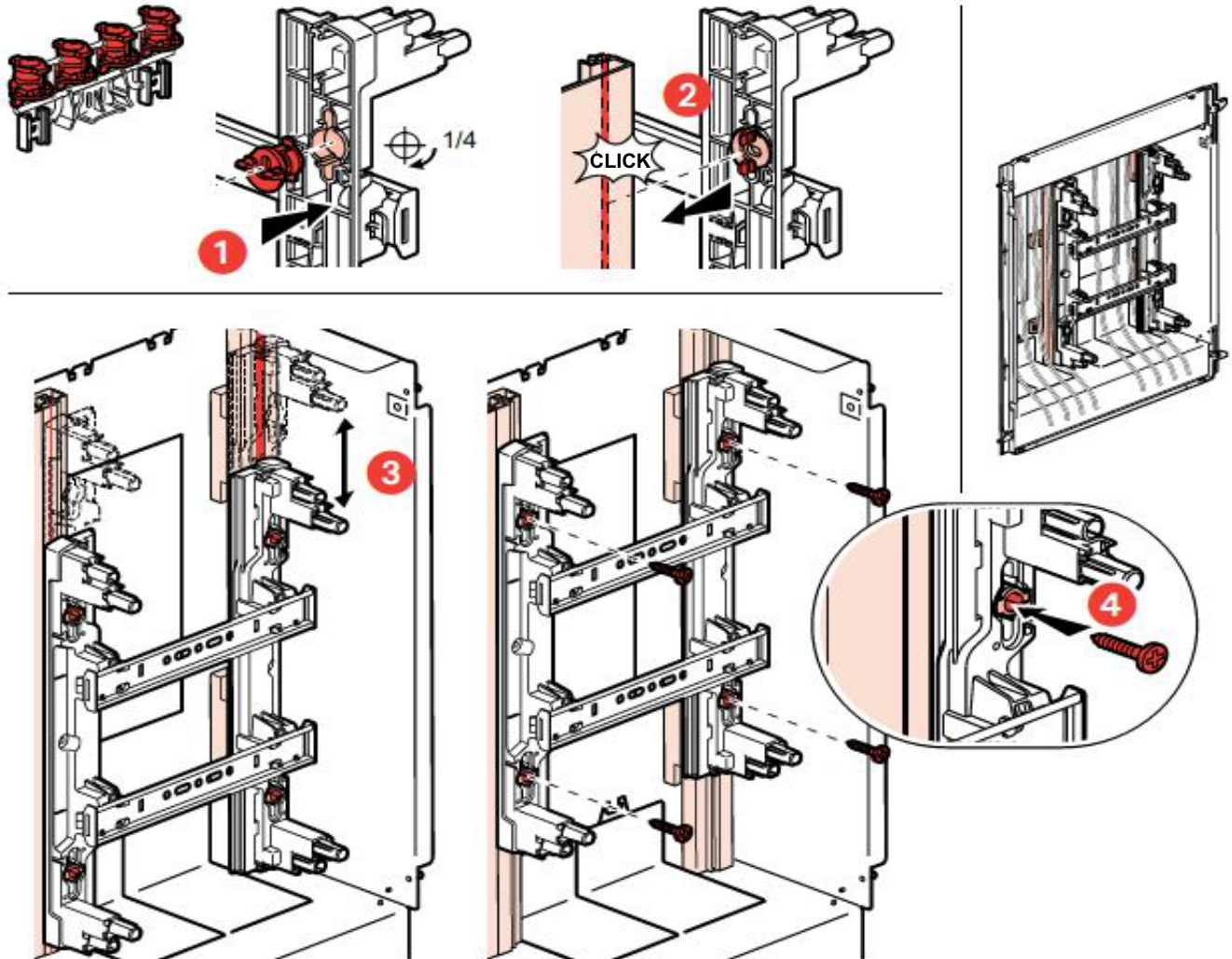


1. DESCRIPTION, USE (continued)

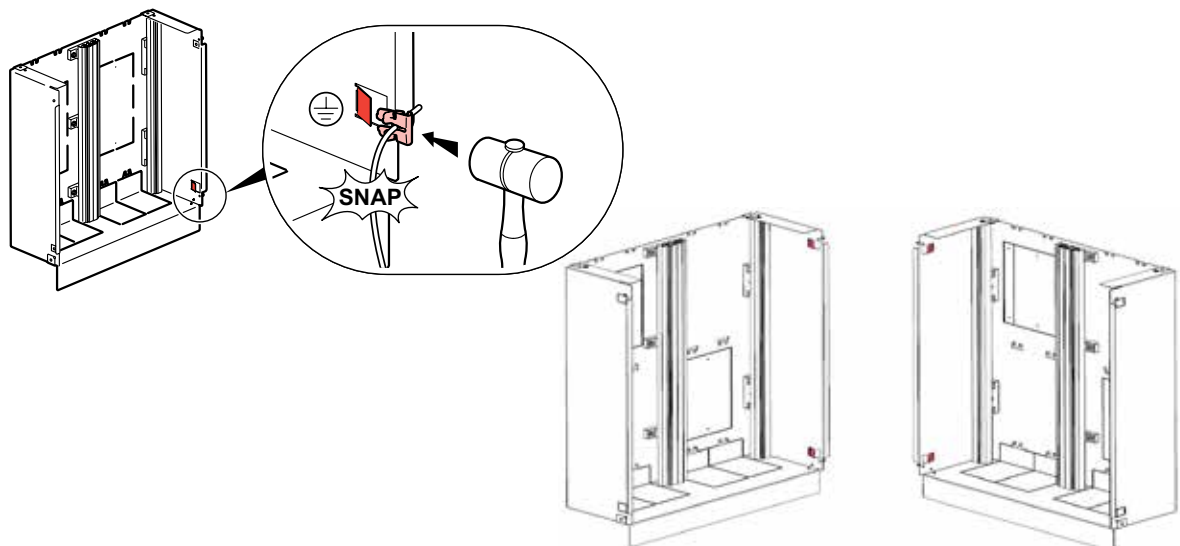
■ 1.4 Equipment in the box

The box is equipped with the Drivia clip system, making it easier to fix the Drivia cabinets and control panels (*).

(* To be able to use Drivia clip fixing on the single-phase plate for incoming circuit-breaker only, use insulated backplate Cat. No. 4 011 93.

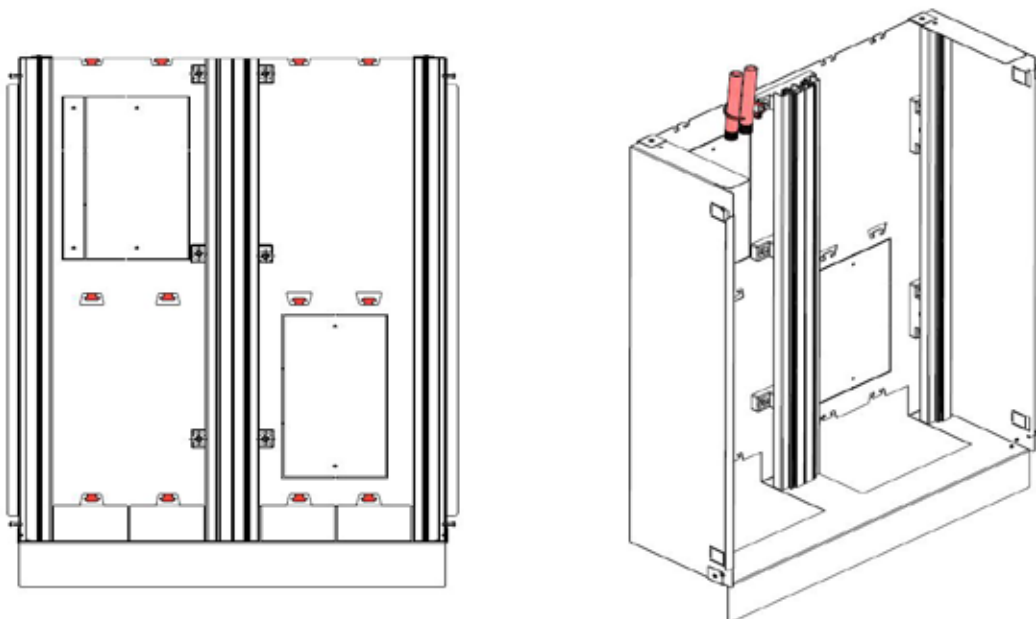


■ 1.5 Earthing the box

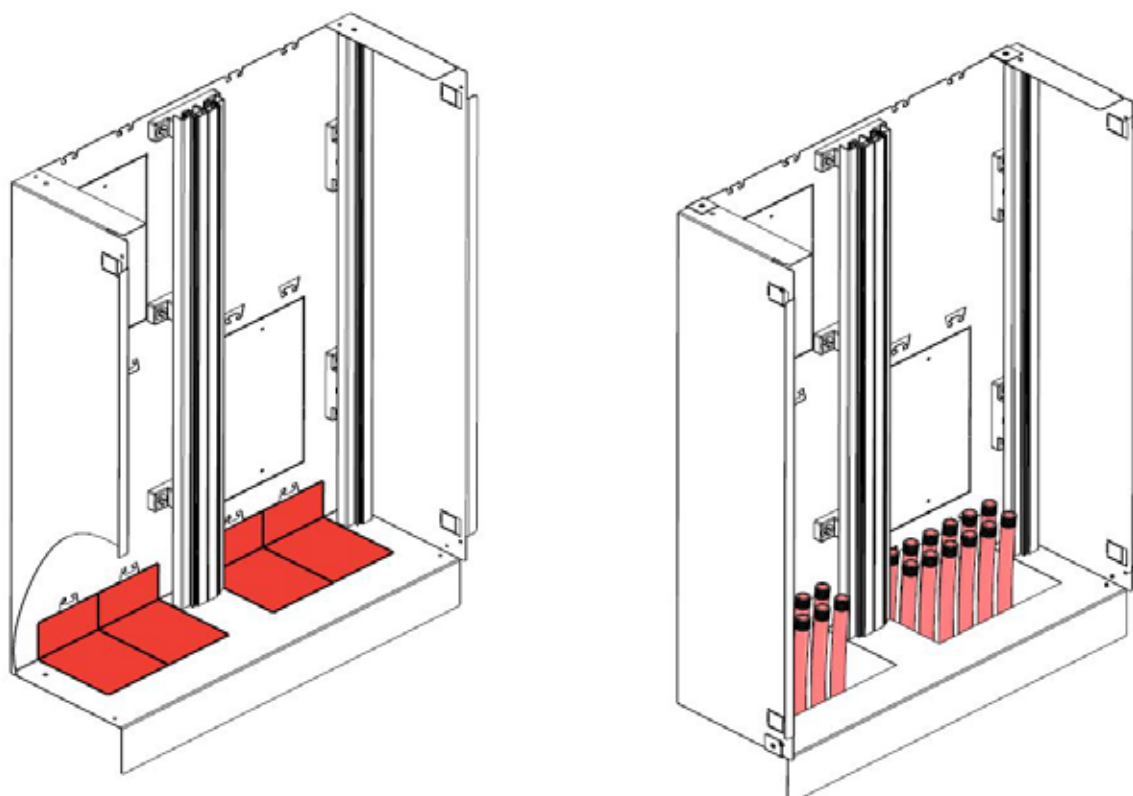


1. DESCRIPTION, USE (continued)

- 1.6 The ducts can be attached with Colson cable ties

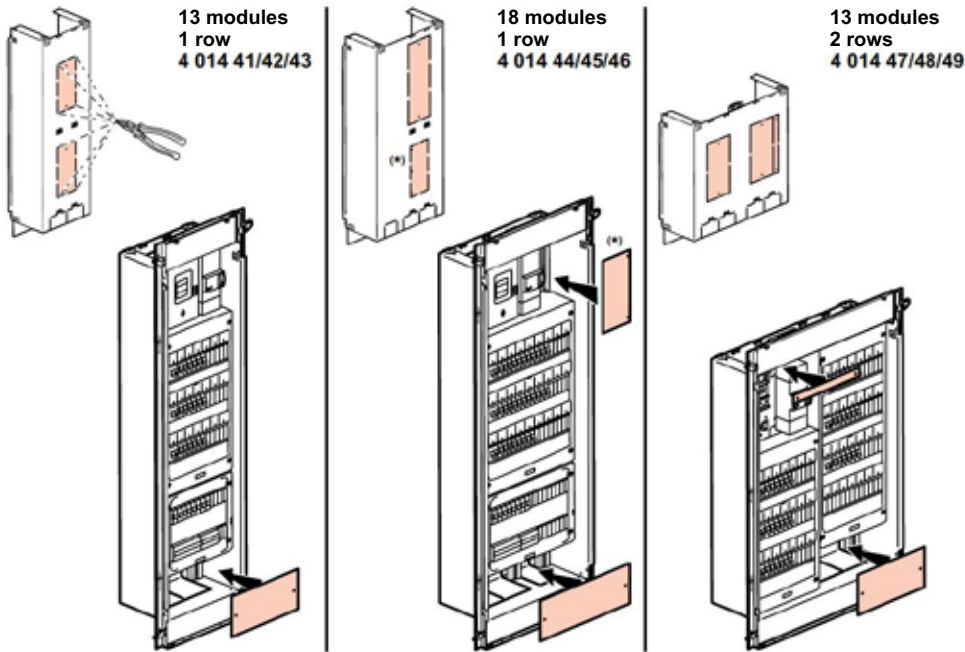


- 1.7 Cut-outs in the box for passing the ducts through the bottom of the box



1. DESCRIPTION, USE (continued)

■ 1.8 The cut-outs in the bottom of the box act as blanking plates for unused zones



■ 1.9 Box capacity

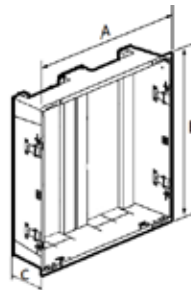


2. RANGE

Size	Box Cat. No.	Usable height (mm)	Door Cat. No.	Flap Cat. No.
1-row boxes 13 modules	4 014 41	850	4 014 51	4 014 61
	4 014 42	975	4 014 52	
	4 014 43	1100	4 014 53	
1-row boxes 18 modules	4 014 44	850	4 014 54	4 014 62
	4 014 45	975	4 014 55	
	4 014 46	1100	4 014 56	
2-row boxes 13 modules	4 014 47	500	4 014 57	4 014 63
	4 014 48	625	4 014 58	
	4 014 49	750	4 014 59	

3. DIMENSIONS

Cat. No.	A	B	C
4 014 41	271	857	166
4 014 42		982	
4 014 43		1107	
4 014 44	376	857	
4 014 45		982	
4 014 46		1107	
4 014 47	521	507	
4 014 48		632	
4 014 49		757	



4. GENERAL CHARACTERISTICS

■ 4.1 Technical characteristics

Metal box painted white RAL9003
 Metal door painted white RAL9003
 Metal box
 Chrome-plated Drivia ring
 Storage and installation temperature: +20°C to +70°C
 Operating temperature: +10°C to +40°C

■ 4.2 Material

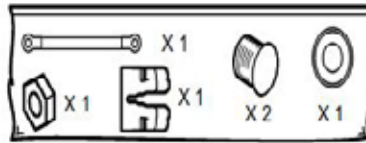
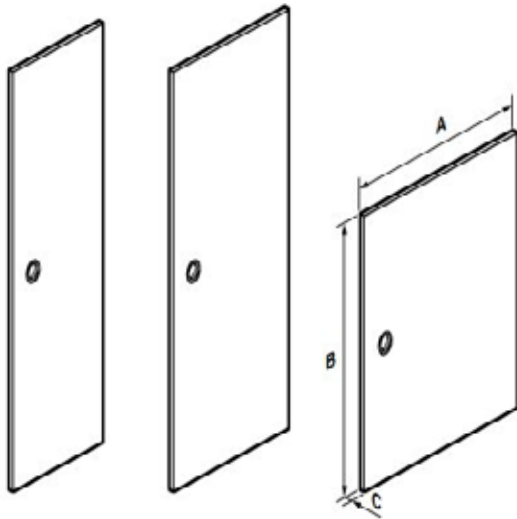
Box: electrogalvanized steel
 Door and surround: steel
 Drivia ring holder: Polyamide 6.6
 Drivia ring: Acrylonitrile Butadiene Styrene
 Cabinet support frame for fixing with Drivia clips: Polyvinyl chloride
 Support frame height spacers: Polyamide 6.6
 Hinges: Polyoxymethylene

5. COMPLIANCE AND APPROVALS

96-hour salt spray resistance (red rust), Ka test ISO 9227
 Meets the requirements of standard NF C15-100
 RoHS
 REACH

6. INSTALLATION ADD-ONS

6.1 Doors



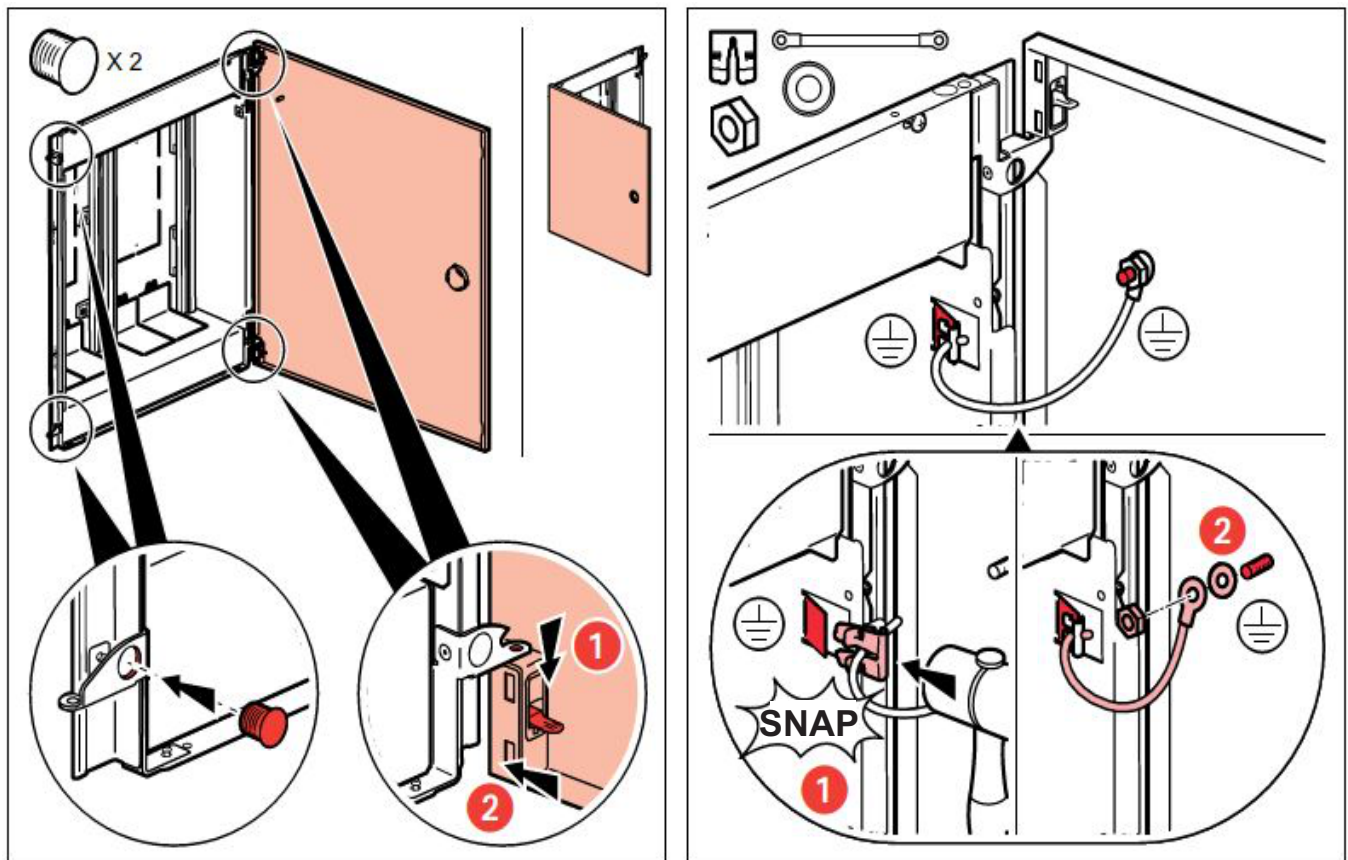
Cat. No.	A	B	C
4 014 51	370	1026	20
4 014 52		1151	
4 014 53		1276	
4 014 54	475	1026	
4 014 55		1151	
4 014 56		1276	
4 014 57	620	676	
4 014 58		801	
4 014 59		926	

13 modules
1 row
4 014 51/52/53

18 modules
1 row
4 014 54/55/56

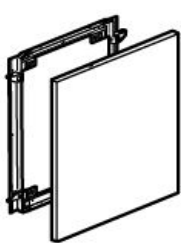
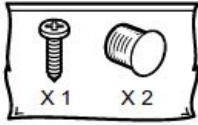
13 modules
2 rows
4 014 57/58/59

Supplied with 2 magnets and earthing kit.
Earthing cable 200 mm long, with a cross-section of 4 mm², equipped with fixing lugs.

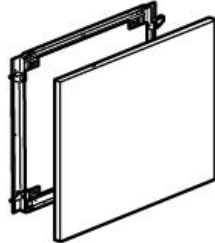


6. INSTALLATION ADD-ONS (continued)

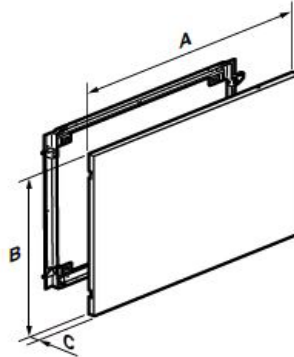
6.2 Access flaps and surrounds



13 modules
1 row
4 014 61

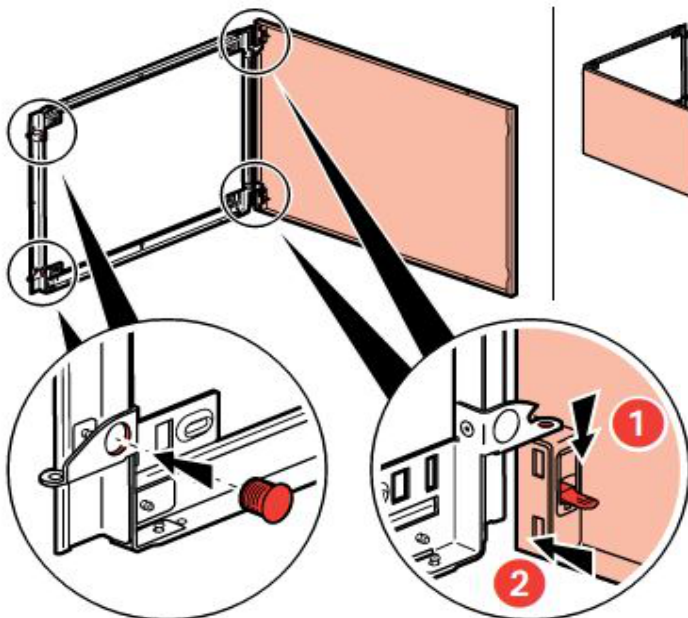
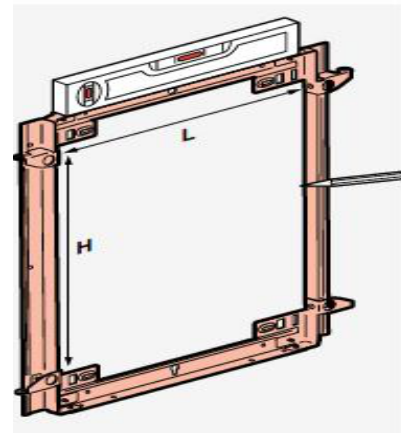


18 modules
1 row
4 014 62



13 modules
2 rows
4 014 63

Cat. No.	A	B	C
4 014 61	370	400	20
4 014 62	475		
4 014 63	620		



Cat. No.	W (±3 mm)	H (±3 mm)
4 014 61	280	355
4 014 62	385	
4 014 63	530	

Final screw closure

